

# SKIL®

## HEAT GUN 8004 (F0158004 . .)




|            |  |    |            |   |     |
|------------|--|----|------------|---|-----|
| <b>GB</b>  | ORIGINAL INSTRUCTIONS                    | 6  | <b>UA</b>  | ОРИГІНАЛЬНА ІНСТРУКЦІЯ<br>З ЕКСПЛУАТАЦІЇ  | 81  |
| <b>F</b>   | NOTICE ORIGINALE                         | 10 | <b>GR</b>  | ΠΡΩΤΟΤΥΠΟ ΟΔΗΓΙΩΝ ΧΡΗΣΗΣ                  | 87  |
| <b>D</b>   | ORIGINALBETRIEBSANLEITUNG                | 15 | <b>RO</b>  | INSTRUCȚIUNI DE FOLOSIRE<br>ORIGINALE     | 92  |
| <b>NL</b>  | ORIGINELE GEBRUIKSAANWIJZING             | 20 | <b>BG</b>  | ОРИГИНАЛНО РЪКОВОДСТВО<br>ЗА ЕКСПЛОАТАЦИЯ | 97  |
| <b>S</b>   | BRUKSANVISNING I ORIGINAL                | 24 | <b>SK</b>  | PŮVODNÝ NÁVOD NA POUŽITIE                 | 102 |
| <b>DK</b>  | ORIGINAL BRUGSANVISNING                  | 29 | <b>HR</b>  | ORIGINALNE UPUTE ZA RAD                   | 107 |
| <b>N</b>   | ORIGINAL BRUKSANVISNING                  | 33 | <b>SRB</b> | ORIGINALNO UPUTSTVO ZA RAD                | 111 |
| <b>FIN</b> | ALKUPERÄISET OHJEET                      | 38 | <b>SLO</b> | IZVIRNA NAVODILA                          | 116 |
| <b>E</b>   | MANUAL ORIGINAL                          | 42 | <b>EST</b> | ALGUPÄRANE KASUTUSJUHEND                  | 120 |
| <b>P</b>   | MANUAL ORIGINAL                          | 47 | <b>LV</b>  | ORIĢINĀLĀ LIETOŠANAS PAMĀCĪBA             | 125 |
| <b>I</b>   | ISTRUZIONI ORIGINALI                     | 52 | <b>LT</b>  | ORIGINALI INSTRUKCIJA                     | 130 |
| <b>H</b>   | EREDETI HASZNÁLATI UTASÍTÁS              | 57 | <b>MK</b>  | ИЗБОРНО УПАТСТВО ЗА РАБОТА                | 134 |
| <b>CZ</b>  | PŮVODNÍM NÁVODEM K POUŽÍVÁNÍ             | 62 | <b>AL</b>  | UDHËZIMET ORIGINALE                       | 139 |
| <b>TR</b>  | ORİJİNAL İŞLETME TALİMATI                | 66 | <b>AR</b>  | دليل الاستعمال                            | 151 |
| <b>PL</b>  | INSTRUKCJA ORYGINALNA                    | 71 | <b>FA</b>  | راهنمای اصلی                              | 148 |
| <b>RU</b>  | ПОДЛИННИК РУКОВОДСТВА<br>ПО ЭКСПЛУАТАЦИИ | 76 |            |   |     |



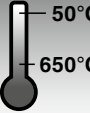
1

8004

2000  
Watt

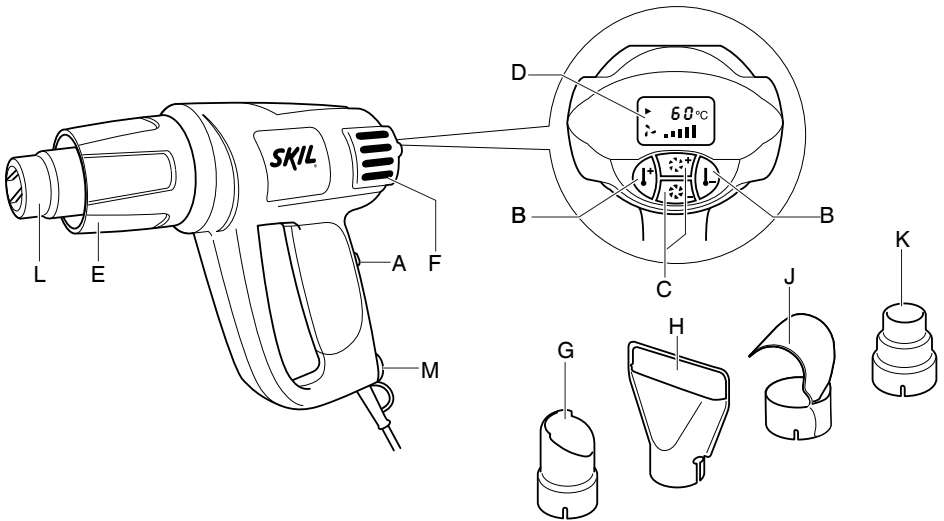
  
0,7 kg  
EPTA 01/2003

  
250 - 500  
l/min

  
50°C  
650°C

220  
-  
240  
V~  
50-60 Hz

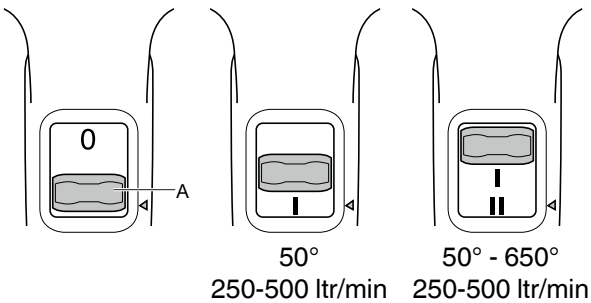
2

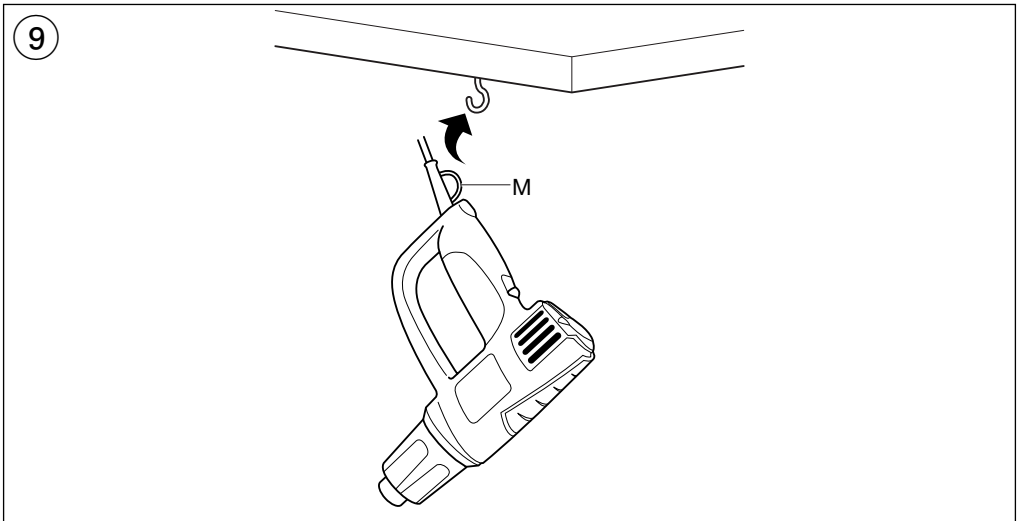
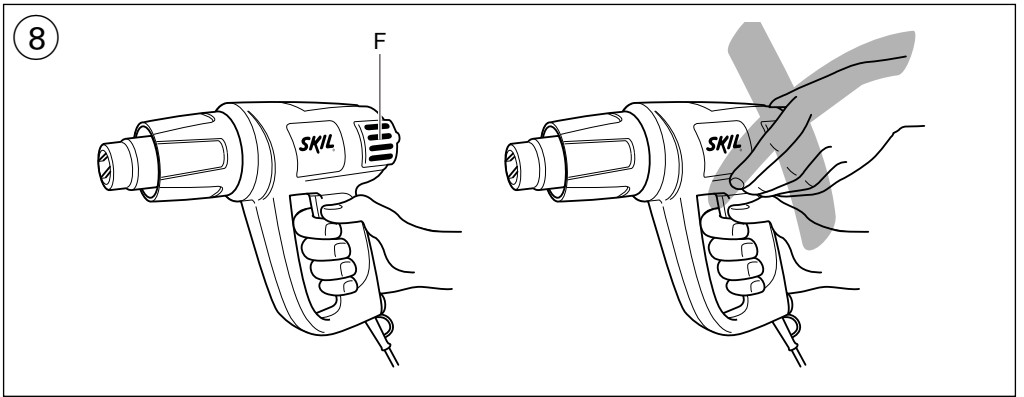
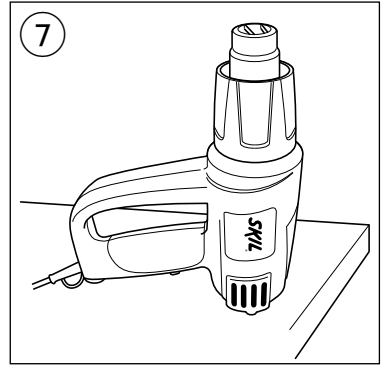
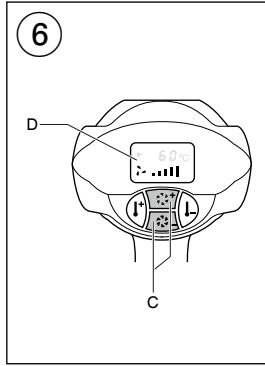
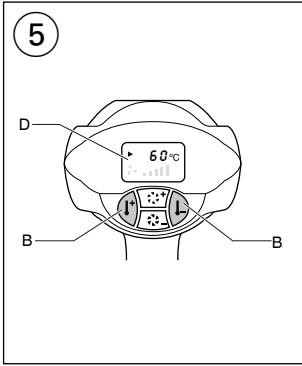


3



4

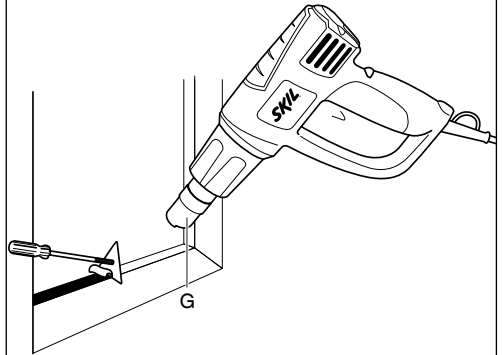




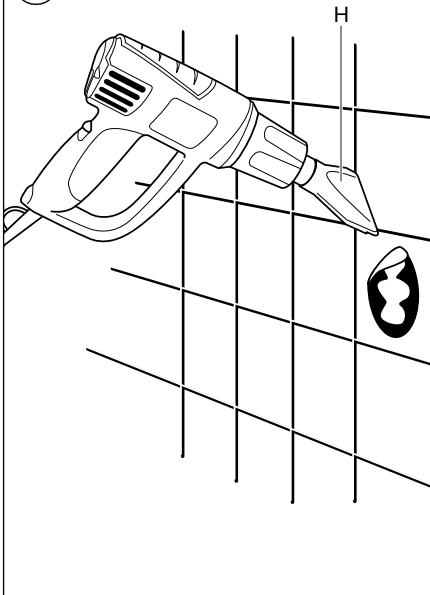
10



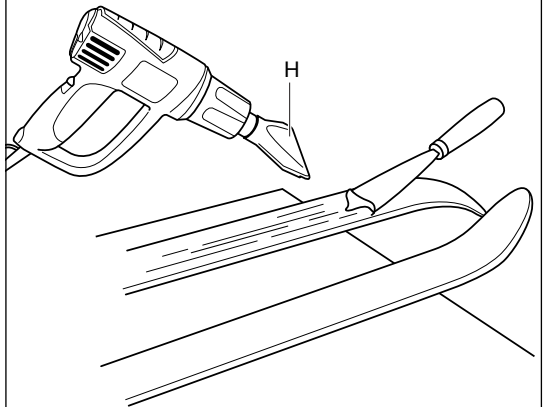
11



12

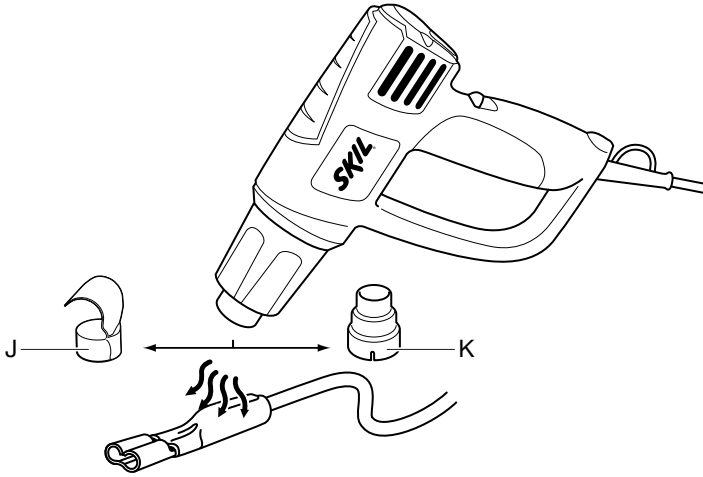


13

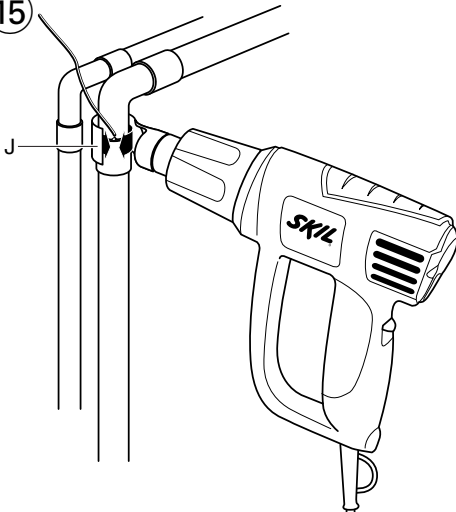




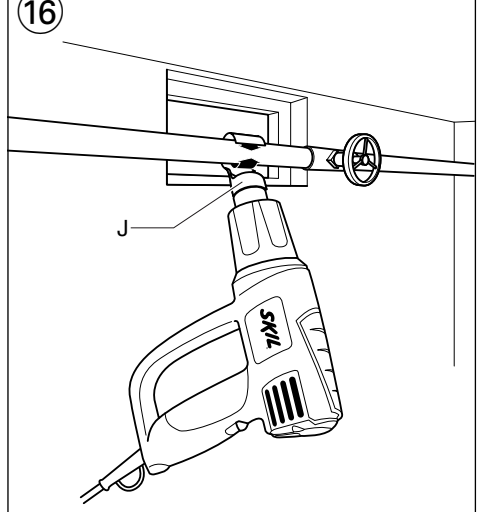
14



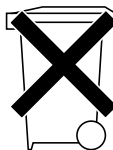
15



16



17



## Heat gun

8004

## INTRODUCTION

- This tool is intended for the removal of paint, the forming and welding of plastic, and the warming of heat-shrinkable tubing; the tool is also suitable for soldering and tinning, loosening adhesive joints and defrosting water pipes
- This tool is not intended for professional use
- Read and save this instruction manual ③

## TECHNICAL DATA ①

## TOOL ELEMENTS ②

- A On/off switch
- B Buttons for setting temperature
- C Buttons for setting air flow
- D Display (LCD)
- E Protection ring
- F Ventilation slots
- G Glass protection nozzle
- H Flat nozzle
- J Reflector nozzle
- K Reduction nozzle
- L Air outlet/nozzle
- M Hanging ring

## SAFETY

## GENERAL SAFETY INSTRUCTIONS

**⚠ WARNING! Read all safety warnings and all instructions.** Failure to follow the warnings and instructions may result in electric shock, fire and/or serious injury. **Save all warnings and instructions for future reference.** The term "power tool" in the warnings refers to your mains-operated (corded) power tool or battery-operated (cordless) power tool.

## 1) WORK AREA SAFETY

- a) **Keep work area clean and well lit.** Cluttered or dark areas invite accidents.
- b) **Do not operate power tools in explosive atmospheres, such as in the presence of flammable liquids, gases or dust.** Power tools create sparks which may ignite the dust or fumes.
- c) **Keep children and bystanders away while operating a power tool.** Distractions can cause you to lose control.

## 2) ELECTRICAL SAFETY

- a) **Power tool plugs must match the outlet. Never modify the plug in any way. Do not use any adapter plugs with earthed (grounded) power tools.** Unmodified plugs and matching outlets will reduce risk of electric shock.
- b) **Avoid body contact with earthed or grounded surfaces such as pipes, radiators, ranges and refrigerators.** There is an increased risk of electric shock if your body is earthed or grounded.

- c) **Do not expose power tools to rain or wet conditions.** Water entering a power tool will increase the risk of electric shock.
  - d) **Do not abuse the cord. Never use the cord for carrying, pulling or unplugging the power tool. Keep cord away from heat, oil, sharp edges or moving parts.** Damaged or entangled cords increase the risk of electric shock.
  - e) **When operating a power tool outdoors, use an extension cord suitable for outdoor use.** Use of a cord suitable for outdoor use reduces the risk of electric shock.
  - f) **If operating a power tool in a damp location is unavoidable, use an earth leakage circuit breaker.** Use of an earth leakage circuit breaker reduces the risk of electric shock.
- 3) PERSONAL SAFETY**
- a) **Stay alert, watch what you are doing and use common sense when operating a power tool. Do not use a power tool while you are tired or under the influence of drugs, alcohol or medication.** A moment of inattention while operating power tools may result in serious personal injury.
  - b) **Use personal protective equipment. Always wear eye protection.** Protective equipment such as dust mask, non-skid safety shoes, hard hat, or hearing protection used for appropriate conditions will reduce personal injuries.
  - c) **Prevent unintentional starting. Ensure the switch is in the off-position before connecting to power source and/or battery pack, picking up or carrying the tool.** Carrying power tools with your finger on the switch or energising power tools that have the switch on invites accidents.
  - d) **Remove any adjusting key or wrench before turning the power tool on.** A wrench or a key left attached to a rotating part of the power tool may result in personal injury.
  - e) **Do not overreach. Keep proper footing and balance at all times.** This enables better control of the power tool in unexpected situations.
  - f) **Dress properly. Do not wear loose clothing or jewelry. Keep your hair, clothing and gloves away from moving parts.** Loose clothes, jewelry or long hair can be caught in moving parts.
  - g) **If devices are provided for the connection of dust extraction and collection facilities, ensure these are connected and properly used.** Use of dust collection can reduce dust-related hazards.
- 4) POWER TOOL USE AND CARE**
- a) **Do not force the power tool. Use the correct power tool for your application.** The correct power tool will do the job better and safer at the rate for which it was designed.
  - b) **Do not use the power tool if the switch does not turn it on and off.** Any power tool that cannot be controlled with the switch is dangerous and must be repaired.
  - c) **Disconnect the plug from the power source and/or the battery pack from the power tool before making any adjustments, changing accessories, or storing power tools.** Such preventive safety measures reduce the risk of starting the power tool accidentally.

- d) **Store idle power tools out of the reach of children and do not allow persons unfamiliar with the power tool or these instructions to operate the power tool.**

Power tools are dangerous in the hands of untrained users.

- e) **Maintain power tools. Check for misalignment or binding of moving parts, breakage of parts and any other condition that may affect the power tool's operation. If damaged, have the power tool repaired before use.** Many accidents are caused by poorly maintained power tools.

- f) **Keep cutting tools sharp and clean.** Properly maintained cutting tools with sharp cutting edges are less likely to bind and are easier to control.

- g) **Use the power tool, accessories and tool bits etc., in accordance with these instructions, taking into account the working conditions and the work to be performed.** Use of the power tool for operations different from those intended could result in a hazardous situation.

## 5) SERVICE

- a) **Have your power tool serviced by a qualified repair person using only identical replacement parts.** This will ensure that the safety of the power tool is maintained.

## SAFETY INSTRUCTIONS FOR HEAT GUNS

### BEFORE USE:

- Check the functioning of the tool before each use and, in case of a defect, have it repaired immediately by a qualified person; never open the tool yourself
- Inspect tool cord and plug before each use and, if damaged, have them replaced by a qualified person
- Use completely unrolled and safe extension cords with a capacity of 16 Amps (U.K. 13 Amps)
- Inspect the extension cord periodically and replace it, if damaged
- Use the tool and its accessories in accordance with this instruction manual and in the manner intended for the tool; use of the tool for operations, different from those normally expected to be performed by the tool, could result in a hazardous situation
- This tool should not be used by people under the age of 16 years
- This tool is not intended for use by persons (including children) with reduced physical, sensory or mental capabilities, or lack of experience and knowledge, unless they have been given supervision or instruction concerning use of the tool by a person responsible for their safety
- Always check that the supply voltage is the same as the voltage indicated on the nameplate of the tool
- Be sure tool is switched off when plugging in

### DURING USE:

- **Handle the tool with care; prevent fire and burns**
  - do not touch the air outlet/nozzle and the heated object; they become extremely hot
  - do not hold the air outlet/nozzle too close to the object to be worked on
  - do not direct the hot air flow towards the same surface for too long
  - never look down the air outlet/nozzle
  - wear protective gloves and use safety glasses

- never direct the hot air flow towards persons or animals
  - never use the tool for drying hair
  - do not leave the tool unattended
  - never use the tool in the proximity of inflammable gases or combustible materials (**risk of explosion**)
  - when working with plastic, paint, varnish and similar materials, inflammable and poisonous gases may be produced; inform yourself beforehand about the materials to be worked on
  - take into account, that heat may be transferred to combustible materials out of eyesight
  - to be on the safe side, have a bucket of water or a fire extinguisher handy, in case any material catches fire
- **Prevent electrical shock**
- never poke anything down the air outlet/nozzle
  - avoid body contact with earthed surfaces (e.g. pipes, radiators, ranges, refrigerators)
  - ensure the tool does not get wet
  - do not use the tool in damp locations
  - when used outdoors, connect the tool via a fault current (FI) circuit breaker with a triggering current of 30 mA maximum, and only use an extension cord which is intended for outdoor use and equipped with a splashproof coupling-socket

• **Handle the cord with care**

- always keep away the cord from the hot air flow and the air outlet/nozzle
  - keep the cord away from heat, oil and sharp edges
  - do not carry the tool by the cord, and do not yank the cord to disconnect it from the socket
  - do not suspend the tool by the cord
- Never use the tool in conjunction with chemical solvents
  - Make sure work area is adequately ventilated
  - Keep work area clean and well lit
  - Keep children away from work area
  - Ensure that children do not play with the tool
  - Inrush currents cause short-time voltage drops; under unfavourable power supply conditions, other equipment may be affected (if the system impedance of the power supply is lower than  $0,127 + j0,079$  Ohm, disturbances are unlikely to occur); if you need further clarification, you may contact your local power supply authority
  - Stay alert; watch what you are doing, use common sense and do not operate the tool when you are tired
  - Take a secure stance; do not overreach, especially on ladders and stages
  - Ensure that the tool is switched off, before putting it aside
  - In case of electrical or mechanical malfunction, immediately switch off the tool and disconnect the plug

### AFTER USE:

- Switch off the tool and disconnect the plug
- **Allow the tool to cool down for at least 30 minutes before storage**
- Suspend the tool on hanging ring M ② or set it down on its rear in an upright position; when doing so, make sure no combustible materials or inflammable gases are in the proximity
- Do not store/leave the tool outdoors
- Store the tool in a dry and locked-up place, out of reach of children

## USE

- On/off switch with 2 temperature settings ④
  - ! **check if switch A is in position “0” before plugging in**
  - switch on the tool by pushing switch A in desired position:
    - I = 50°C + air flow 250-500 litres/minute
    - II = 50°C ... 650°C, air flow 250-500 litres/minute
  - when using it for the first time, some smoke may emit from the tool; this is normal and will soon cease
  - switch off the tool by pushing switch A in position “0”
- Temperature setting ⑤
  - set desired target temperature in steps of 10°C by pressing buttons B briefly
  - pressing buttons B constantly increases/decreases the target temperature continuously until the buttons are released or the minimum/maximum temperature is reached
  - after the target temperature is set, display D shows the actual rising/falling temperature until the desired temperature is reached (in position “II” only)
  - the target temperature will be stored in the memory of the tool, so that each time after switching on the tool heats up to the last selected target temperature
- Air flow setting ⑥
  - set desired air flow in steps of 50 l/min by pressing buttons C briefly
  - display D shows the actual air flow setting in a bar graph
- General use
  - determine the right temperature by testing out on an inconspicuous part of the workpiece; start with a low temperature setting
  - the temperature drops as the distance between the air outlet/nozzle and the workpiece increases
  - the temperature required depends on the material to be worked on
- Stationary use ⑦
  - set the tool down on its rear in an upright position
  - make sure the surface is clean and dustfree; polluted air damages the motor
  - make sure the air flow is directed away from you
  - secure the cord to prevent pulling down the tool
  - do not touch the air outlet/nozzle
  - make sure nothing drops into the air outlet/nozzle
  - carefully hold the tool with one hand while switching it off with the other hand, and then allow it to cool down
- Use at hard-to-reach places
  - remove ring E ②, thus releasing the metal air outlet over a greater distance
  - ! **pay attention to increased risk of fire and burns**
- Holding and guiding the tool ⑧
  - hold the tool with one hand
  - keep ventilation slots F ② uncovered
- Standard accessories ②
  - glass protection nozzle G (for deflecting air flow)
  - flat nozzle H (for broadening air flow)
  - reflector nozzle J (for reflecting air flow)
  - reduction nozzle K (for concentrating air flow)

## NOTES:

- all application examples (**except removing paint next to glass**) can be performed without accessories; however, using the appropriate accessory simplifies the work and significantly improves the quality of the results
- this tool can also be used in combination with BOSCH- and other commonly available accessories for heat guns
- Mounting/removing accessories
  - simply fit the accessory onto air outlet L ②
  - remove an accessory by pulling it off to the front after it has cooled down
  - ! **mount an accessory only when the air outlet is cold, when the switch is in position “0” and when the plug is disconnected**
- Hanging ring M ③
  - for easy storage of the tool
  - ! **allow the tool to cool down for at least 30 minutes before storage**
- Constant heat control (overload protection)
  - Protects heating element from damage when tool is overloaded without having to stop it and/or let it cool down for a period of time
  - when the temperature gets too high, the heating element switches itself off, while the motor continues to run and produces cold air
  - when the temperature has dropped sufficiently (taking only a few seconds), the heating element will be switched on automatically
  - ! **when the tool is switched off after working at a high temperature setting, and switched on again after a short break, it may take a while before the heating element reaches the desired temperature**

## APPLICATION ADVICE

- Removing paint/lacquer ⑩
  - use a clean, sharp scraper
  - scrape firmly, when the paint softens
  - experiment to establish the length of time necessary to apply the heat for optimal results
  - scrape the softened paint immediately, or it will harden again
  - keep a 30° to 40° angle between the tool and the workpiece
  - remove paint and debris immediately from the scraper to prevent them from ignition
  - scrape with the grain of the wood, wherever possible
  - do not direct the hot air flow towards the same surface for too long
  - dispose of all paint debris safely
  - thoroughly clean the work area after completing the job
  - ! **be careful when removing layers of paint in old buildings; in the past the building may have been painted with paint containing lead, which is highly poisonous**
  - ! **exposure to even low levels of lead can cause serious brain and nervous system damage; young and unborn children are particularly vulnerable**
  - ! **have lead-based paint removed by a professional without using a heatgun**

#### OTHER APPLICATION EXAMPLE:

- ★ removing (synthetic) wall covering
- Removing paint/lacquer next to glass <sup>(11)</sup>
  - **always** use glass protection nozzle G when working next to glass
  - remove the paint with a hand scraper
  - ! **do not use the tool for removing paint on metal-framed windows; metal is heat-conducting which might lead to breaking of the glass**
- Removing stickers (use flat nozzle H) <sup>(12)</sup>
  - many adhesives become softer when heated, allowing adhesive bonds to be separated and superfluous adhesive to be removed
  - ! **heat sticker on the upper side**
  - ! **always take care not to overheat the underlying surface**

#### OTHER APPLICATION EXAMPLES:

- ★ removing linoleum and vinyl carpeting
- ★ removing carpet tiles made of synthetic fibres
- ★ removing veneers/applying veneer strips
- ★ softening/melting tar, tin, bitumen, wax (use flat nozzle H)
- ★ waxing (skis, furniture) (use flat nozzle H) <sup>(13)</sup>
- ★ removing resin
- ★ loosening rusty/too tightly fastened metal screws, nuts and bolts
- ★ removing candle wax (**do not overheat the underlying surface**)
- ★ repairing broken candles/restoring bent candles to their original shape
- Shrink fitting <sup>(14)</sup>
  - use reflector nozzle J or reduction nozzle K
  - select a shrink-fit tube with a diameter matching that of the workpiece
  - heat the shrink-fit tube evenly

#### OTHER APPLICATION EXAMPLE:

- ★ shrink-wrapping
- Soldering water pipes <sup>(15)</sup>

This tool is most suitable for working with soft solders (melting point below 400°)

  - use reflector nozzle J
  - thoroughly clean both joining sections before soldering
  - pre-heat both sections and apply soldering wire (**do not use lead-based soldering wire**)
- Thawing out frozen water pipes <sup>(16)</sup>
  - use reflector nozzle J
  - heat the frozen area evenly
  - ! **water pipes are often difficult to distinguish from gas pipes; heating gas pipes is extremely dangerous – risk of explosion**

#### OTHER APPLICATION EXAMPLES:

- ★ thawing out water pipes made of PVC (**position I, max. 60°C**)
- ★ thawing out frozen car locks (**position I, max. 60°C**) (use reduction nozzle K)
- ★ defrosting freezers (**do not damage the plastic housing**)
- ★ thawing out ice-covered steps and pavements
- Shaping plastic tubes
  - use reflector nozzle J
  - fill the tube with sand and seal it at both ends, to avoid kinking of the tube
  - heat the tube evenly by moving it from side to side

#### OTHER APPLICATION EXAMPLES:

- ★ shaping all plastics with a low melting-point (polyethylene, PVC etc.)
- ★ shaping all plastics with a high melting-point (acrylic glass, Plexiglas etc.)
- ★ shaping and bending carpet tiles made of synthetic fibres
- ★ shaping and bending of wood (model-building)
- Welding plastics
  - the weld seam must be clean and grease-free
  - keep welding rod close to weld seam and apply heat, until the welding rod gets tacky
  - remove heat, when weld seam is filled up
- OTHER APPLICATION EXAMPLES:
  - ★ repairing of surfboards, skis and other synthetic sports goods (use flat nozzle H)
  - ★ welding PVC-materials
  - ★ smoothing blisters after sticking PVC-labels
  - ★ connecting garden hoses (use reflector nozzle J)
- Drying
  - ! **only dry with a low or medium temperature setting (position 1 or 2) and with an increased distance between the tool and the workpiece**
  - drying of paint, varnish, gypsum, mortar and plaster
  - drying wet timber prior to filling
  - drying thickly applied filler or adhesive quickly
  - drying building joints before spraying insulation or sealant
  - drying joints and cracks in boatbuilding
- Cleaning/disinfecting
  - disinfecting rabbit hutches, dove cotes, etc. (**remove your pet first**)
  - combatting ant colonies
  - combatting woodworms and boring beetles (**hold the tool at an adequate distance from the wood**)
  - eliminating weeds

## MAINTENANCE / SERVICE

- This tool is not intended for professional use
- Always keep tool and cord clean (especially ventilation slots F <sup>(2)</sup>)
- Never use easy inflammable liquids for cleaning the heat gun in general and the air outlet/nozzle in particular
- If the tool should fail despite the care taken in manufacturing and testing procedures, repair should be carried out by an after-sales service centre for SKIL power tools
  - send the tool **undismantled** together with proof of purchase to your dealer or the nearest SKIL service station (addresses as well as the service diagram of the tool are listed on [www.skil.com](http://www.skil.com))

## ENVIRONMENT

- **Do not dispose of electric tools, accessories and packaging together with household waste material** (only for EU countries)
  - in observance of European Directive 2012/19/EC on waste of electric and electronic equipment and its implementation in accordance with national law, electric tools that have reached the end of their life

must be collected separately and returned to an environmentally compatible recycling facility

- symbol 17 will remind you of this when the need for disposing occurs

## DECLARATION OF CONFORMITY CE

- We declare under our sole responsibility that the product described under "Technical data" is in conformity with the following standards or standardization documents: EN 60335, EN 61000, EN 55014, in accordance with the provisions of the directives 2006/95/EC, 2004/108/EC, 2011/65/EU
- **Technical file at:** SKIL Europe BV (PT-SEU/ENG1), 4825 BD Breda, NL

Marijn van der Hoofden  
Operations & Engineering

Olaf Dijkgraaf  
Approval Manager

SKIL Europe BV, 4825 BD Breda, NL

03.09.2014

CE11

F

## Pistolet chauffant

8004

### INTRODUCTION

- Cet outil sert à enlever la peinture, la mise en forme et le soudage de plastique, le chauffage de gaine thermorétractable; l'outil peut également servir au soudage et à l'étamage, au détachement de joints adhésifs et au dégivrage de tuyauteries d'eau
- Cet outil n'est conçu pour un usage professionnel
- Lisez et conservez ce manuel d'instruction ③

### CARACTERISTIQUES TECHNIQUES ①

#### ELEMENTS DE L'OUTIL ②

- A Interrupteur marche/arrêt
- B Boutons de réglage de la température
- C Boutons pour régler le débit d'air
- D Écran à cristaux liquides (LCD)
- E Bague de protection
- F Fentes de ventilation
- G Embouchure de protection en verre
- H Embouchure plate
- J Embouchure réflecteur
- K Embouchure réducteur
- L Sortie/embouchure d'air
- M Bague de suspension

### SECURITE

#### INSTRUCTIONS GENERALES DE SECURITE

**ATTENTION!** Lisez tous les avertissements de sécurité et toutes les instructions. Ne pas suivre les

avertissements et instructions peut entraîner un choc électrique, un incendie et/ou de graves blessures sur les personnes. **Conservez tous les avertissements et toutes les instructions pour pouvoir s'y reporter ultérieurement.** La notion d'"outil électroportatif" dans les avertissements se rapporte à des outils électriques raccordés au secteur (avec câble de raccordement) et à des outils électriques à batterie (sans câble de raccordement).

#### 1) SECURITE DE LA ZONE DE TRAVAIL

- a) **Maintenez l'endroit de travail propre et bien éclairé.**  
Un lieu de travail en désordre ou mal éclairé augmente le risque d'accidents.
- b) **N'utilisez pas l'appareil dans un environnement présentant des risques d'explosion et où se trouvent des liquides, des gaz ou poussières inflammables.** Les outils électroportatifs génèrent des étincelles risquant d'enflammer les poussières ou les vapeurs.
- c) **Tenez les enfants et autres personnes éloignés durant l'utilisation de l'outil électroportatif.** En cas d'inattention vous risquez de perdre le contrôle sur l'appareil.

#### 2) SECURITE RELATIVE AU SYSTEME ELECTRIQUE

- a) **La fiche de secteur de l'outil électroportatif doit être appropriée à la prise de courant. Ne modifiez en aucun cas la fiche. N'utilisez pas de fiches d'adaptateur avec des appareils avec mise à la terre.** Les fiches non modifiées et les prises de courant appropriées réduisent le risque de choc électrique.
- b) **Évitez le contact physique avec des surfaces mises à la terre telles que tuyaux, radiateurs, fours et réfrigérateurs.** Il y a un risque élevé de choc électrique au cas où votre corps serait relié à la terre.
- c) **N'exposez pas l'outil électroportatif à la pluie ou à l'humidité.** La pénétration d'eau dans un outil électroportatif augmente le risque d'un choc électrique.
- d) **N'utilisez pas le câble à d'autres fins que celles prévues, n'utilisez pas le câble pour porter l'appareil ou pour l'accrocher ou encore pour le débrancher de la prise de courant. Maintenez le câble éloigné des sources de chaleur, des parties grasses, des bords tranchants ou des parties de l'appareil en rotation.** Un câble endommagé ou torsadé augmente le risque d'un choc électrique.
- e) **Au cas où vous utiliseriez l'outil électroportatif à l'extérieur, utilisez une rallonge autorisée homologuée pour les applications extérieures.** L'utilisation d'une rallonge électrique homologuée pour les applications extérieures réduit le risque d'un choc électrique.
- f) **Si l'usage d'un outil dans un emplacement humide est inévitable, utilisez un disjoncteur de fuite à la terre.** L'utilisation d'un disjoncteur de fuite à la terre réduit le risque de choc électrique.

#### 3) SECURITE DES PERSONNES

- a) **Restez vigilant, surveillez ce que vous faites. Faites preuve de bon sens en utilisant l'outil électroportatif. N'utilisez pas l'appareil lorsque vous êtes fatigué ou après avoir consommé de l'alcool, des drogues ou avoir pris des médicaments. Un**

moment d'inattention lors de l'utilisation de l'appareil peut entraîner de graves blessures sur les personnes.

- b) **Portez des équipements de protection. Portez toujours des lunettes de protection.** Le fait de porter des équipements de protection personnels tels que masque anti-poussières, chaussures de sécurité antidérapantes, casque de protection ou protection acoustique suivant le travail à effectuer, réduit le risque de blessures.
- c) **Évitez tout démarrage intempestif. S'assurez que l'interrupteur est en position arrêté avant de brancher l'outil au secteur et/ou au bloc de batteries, de le ramasser ou de le porter.** Porter les outils en ayant le doigt sur l'interrupteur ou brancher des outils dont l'interrupteur est en position marche est source d'accidents.
- d) **Enlevez tout outil de réglage ou toute clé avant de mettre l'appareil en fonctionnement.** Une clé ou un outil se trouvant sur une partie en rotation peut causer des blessures.
- e) **Ne surestimez pas vos capacités. Veillez à garder toujours une position stable et équilibrée.** Ceci vous permet de mieux contrôler l'appareil dans des situations inattendues.
- f) **Portez des vêtements appropriés. Ne portez pas de vêtements amples ni de bijoux. Maintenez cheveux, vêtements et gants éloignés des parties de l'appareil en rotation.** Des vêtements amples, des bijoux ou des cheveux longs peuvent être happés par des pièces en mouvement.
- g) **Si des dispositifs servant à aspirer ou à recueillir les poussières doivent être utilisés, vérifiez que ceux-ci soient effectivement raccordés et qu'ils sont correctement utilisés.** L'utilisation des collecteurs de poussière réduit les dangers dus aux poussières.
- 4) UTILISATION ET EMPLOI SOIGNEUX DE L'OUTIL ELECTROPORTATIF**
- a) **Ne surchargez pas l'appareil. Utilisez l'outil électroportatif approprié au travail à effectuer.** Avec l'outil électroportatif approprié, vous travaillerez mieux et avec plus de sécurité à la vitesse pour laquelle il est prévu.
- b) **N'utilisez pas un outil électroportatif dont l'interrupteur est défectueux.** Un outil électroportatif qui ne peut plus être mis en ou hors fonctionnement est dangereux et doit être réparé.
- c) **Débranchez la fiche de la source d'alimentation en courant et/ou le bloc de batteries de l'outil avant tout réglage, changement d'accessoires ou avant de ranger l'outil.** Cette mesure de précaution empêche une mise en fonctionnement par mégarde.
- d) **Gardez les outils électroportatifs non utilisés hors de portée des enfants. Ne permettez pas l'utilisation de l'appareil à des personnes qui ne se sont pas familiarisées avec celui-ci ou qui n'ont pas lu ces instructions.** Les outils électroportatifs sont dangereux lorsqu'ils sont utilisés par des personnes non initiées.
- e) **Prenez soin des outils électroportatifs. Vérifiez que les parties en mouvement fonctionnent correctement et qu'elles ne soient pas coincées, et contrôlez si des parties sont cassées ou endommagées de telle sorte que le bon**

**fonctionnement de l'appareil s'en trouve entravé.**

**Faites réparer les parties endommagées avant d'utiliser l'appareil.** De nombreux accidents sont dus à des outils électroportatifs mal entretenus.

f) **Maintenez les outils de coupe aiguisés et propres.**

Des outils soigneusement entretenus avec des bords tranchants bien aiguisés se coincent moins souvent et peuvent être guidés plus facilement.

g) **Utilisez les outils électroportatifs, les accessoires, les outils à monter etc. conformément à ces instructions. Tenez compte également des conditions de travail et du travail à effectuer.**

L'utilisation des outils électroportatifs à d'autres fins que celles prévues peut entraîner des situations dangereuses.

## 5) SERVICE

a) **Ne faites réparer votre outil électroportatif que par un personnel qualifié et seulement avec des pièces de rechange d'origine.** Ceci permet d'assurer la sécurité de l'appareil.

## INSTRUCTIONS DE SECURITE POUR PISTOLETS

### AVANT L'USAGE:

- Contrôlez le fonctionnement de l'outil avant chaque manipulation et, en cas d'anomalies, faites réparer immédiatement par une personne qualifiée; ne jamais ouvrez l'outil soi-même
- Contrôlez l'état du câble et branchez avant chaque manipulation; si le câble est endommagé, le faites remplacer par une personne qualifiée
- Utilisez un câble de prolongement complètement déroulé et de bonne qualité d'une capacité de 16 A
- Contrôlez régulièrement l'état du câble de prolongement et le remplacez au besoin
- Utilisez l'outil et ses accessoires en conformité avec ce manuel d'instructions et de la façon pour laquelle il a été conçu; l'emploi de l'outil à d'autres manipulations que celles prévues normalement peut causer des situations dangereuses
- Cet outil ne doit pas être utilisé par des personnes de moins de 16 ans
- Cet outil n'a pas été conçu pour être utilisé par des personnes (y compris des enfants) dont les capacités physiques, sensorielles ou mentales sont réduites, ou manquant d'expérience ou de connaissances, excepté si elles ont fait l'objet d'une surveillance ou ont reçu des instructions concernant l'utilisation de l'outil par une personne responsable de leur sécurité
- Toujours contrôlez si la tension secteur correspond à la tension indiquée sur la plaquette signalétique de l'outil
- S'assurez que l'outil est hors service en le branchant

### PENDANT L'USAGE:

- **Utilisez l'outil avec précaution; évitez le feu et les brûlures**
  - ne pas touchez à la sortie/l'embouchure d'air ni à l'objet chauffé; ils atteignent une température élevée
  - ne pas tenez la sortie/l'embouchure d'air trop près du l'objet à travailler
  - ne pas orientez le courant d'air chaud trop longtemps en un même endroit
  - ne pas regardez dans la sortie/l'embouchure d'air
  - portez des gants de protection et des lunettes

- ne jamais diriger le courant d'air chaud vers des personnes ou des animaux
  - ne jamais utilisez l'outil pour se sécher les cheveux
  - ne laissez pas l'outil sans surveillance en cours d'utilisation
  - ne jamais utilisez l'outil à proximité de gaz inflammables ou de matériaux combustibles (**risque d'explosion**)
  - en cas de travail avec du plastique, de la peinture, du vernis et autres matériaux similaires, des gaz inflammables et toxiques peuvent se dégager; toujours s'informez de la technicité de ces matériaux avant de travailler avec ceux-ci
  - prenez en considération que la chaleur peut être transférée à des matériaux combustibles hors de portée
  - pour toute sécurité, préparez un seau d'eau ou un extincteur à proximité si d'aventure un matériau prend feu
  - **Évitez les chocs électriques**
    - ne pas enfoncez quelque chose dans la sortie/l'embouchure d'air
    - évitez tout contact physique avec les surfaces mises à la terre (par exemple tuyauteries, radiateurs, cuisinières, réfrigérateurs)
    - s'assurez que l'outil ne sera pas soumis à l'humidité
    - ne pas utilisez l'outil dans des endroits embués
    - en cas d'usage à l'extérieur, branchez l'outil par l'intermédiaire d'un coupe-circuit (FI) avec courant de réaction de 30 mA au maximum, et utilisez uniquement un câble de prolongement spécial pour l'extérieur équipé d'une prise résistant aux éclaboussures
  - **Utilisez le câble avec précaution**
    - tenez le câble hors de portée du courant d'air chaud et de la sortie/l'embouchure d'air
    - tenez le câble à distance de la chaleur, de l'huile et des rebords escarpés
    - ne pas transportez l'outil par le câble et ne pas tirez sur le câble pour débrancher la prise du secteur
    - ne pas suspendez l'outil par le câble
    - Ne jamais utilisez l'outil avec des solvants
    - S'assurez que l'aire de travail soit bien ventilée
    - Veillez à une aire de travail propre et bien éclairée
    - Ne pas laissez les enfants s'approcher de l'aire de travail
    - Veillez à ce que les enfants ne jouent pas avec l'outil
    - Les processus de mise en fonctionnement provoquent des baisses momentanés de tension; en cas de conditions défavorables de secteur, il peut y avoir des répercutions sur d'autres appareils (pour des impédances du secteur inférieures à 0,127 + j0,079 ohms, il est assez improbables que des perturbations se produisent); pour tout renseignement complémentaire, vous pouvez contacter directement votre fournisseur local d'énergie
    - Restez sur le qui-vive; faites attention à ce que l'on fait, utilisez son bon sens et ne pas manipulez l'outil quand on est fatigué
    - Prenez une position stable; ne pas se mettez dans des positions impossibles par exemple sur des échelles et des échafaudages
    - S'assurez que l'outil est hors service avant de le ranger
  - En cas de dysfonctionnement électrique ou mécanique, mettez directement l'outil hors service et débranchez la fiche
- APRES L'USAGE:**
- Mettez l'outil hors service et débranchez la fiche
  - **Laissez l'outil se refroidir au moins pendant 30 minutes avant de le ranger**
  - Suspendez l'outil à la bague M ② ou le déposez sur le côté arrière en position verticale; ce faisant, s'assurez qu'il n'y ait aucun matériau combustible ni gaz inflammables à proximité
  - Ne pas rangez/laissez l'outil à l'extérieur
  - Rangez l'outil dans un endroit sec et fermer à clé, hors de la portée des enfants
- UTILISATION**
- Interrupteur marche/arrêt avec 2 réglages de température ④
    - ! **contrôlez si le bouton A est en position "0" avant de brancher la fiche**
    - mettez l'outil en service en appuyant sur la position souhaitée sur le bouton A:
      - I = 50°C + courant d'air 250-500 litres/minute
      - II = 50°C ... 650°C, courant d'air 250-500 litres/minute
    - lorsqu'on utilise l'outil pour la première fois, une légère fumée peut s'en dégager; ceci est normal et la fumée s'arrêtera bien vite
    - mettez l'outil hors service en mettant le bouton A en position "0"
  - Réglage de la température ⑤
    - réglez la température cible souhaitée par paliers de 10°C en appuyant brièvement sur les boutons B
    - si vous appuyez constamment sur les boutons B, vous augmentez/diminuez la température cible de façon continue jusqu'à ce que les boutons soient relâchés ou que la température ait atteint son minimum/maximum
    - une fois la température cible réglée, l'écran D indique la diminution/l'augmentation réelle de température jusqu'à ce que la température souhaitée soit atteinte (seulement en position "II")
    - la température cible est enregistrée dans la mémoire de l'outil, de sorte qu'à chaque fois que vous allumez l'outil par la suite, celui chauffe jusqu'à atteindre la dernière température cible sélectionnée
  - Réglage du débit d'air ⑥
    - réglez le débit d'air souhaité par paliers de 50 l/min en appuyant brièvement sur les boutons C
    - l'écran D indique le réglage réel du débit d'air dans un graphique à barres
  - Utilisation générale
    - déterminez la température correcte en faisant un essai sur une section invisible de la pièce; commencez avec un réglage de basse température
    - la température baisse en fonction de la distance entre la sortie/l'embouchure d'air et la pièce
    - la température requise dépend du matériau sur lequel on travaille
  - Utilisation stationnaire ⑦
    - posez l'outil sur sa section arrière en position
    - s'assurez que la surface est propre et exempte de poussière; l'air pollué peut endommager le moteur



- s'assurez que le courant d'air ne soit pas dirigé vers soi
- assurez le câble pour éviter que l'outil ne tombe
- ne pas touchez la sortie/l'embouchure d'air
- veillez à ce qu'aucune substance ne s'égoutte dans la sortie/l'embouchure d'air
- tenez fermement l'outil dans une main et le mettez hors service avec l'autre main et ensuite le laissez refroidir
- Utilisation à des endroits difficilement accessibles
  - enlevez la bague E ②, permettant de travailler à plus grande distance avec l'embouchure
- ! **prêtez attention aux risques accrus de feu et de brûlures**
- Tenu et guidage de l'outil ⑧
  - tenez l'outil dans une main
  - veillez à ce que les fentes de ventilation F ② soient découvertes
- Accessoires standard ②
  - embouchure de protection en verre G (pour déflexion du courant d'air)
  - embouchure plate H (pour élargissement du courant d'air)
  - embouchure réflecteur J (pour réflexion du courant d'air)
  - embouchure réducteur K (pour concentration du courant d'air)

#### REMARQUES:

- tous les exemples d'application (à l'exception de l'enlèvement de la peinture sur fenêtres) peuvent se faire sans accessoires; néanmoins, l'accessoire adéquat simplifie le travail et augmente nettement la qualité des résultats
- cet outil peut également être utilisé conjointement avec des accessoires BOSCH et d'autres accessoires courants pour pistolets chauffants
- Montage/démontage d'accessoires
  - fixez simplement l'accessoire sur la sortie d'air L ②
  - retirez un accessoire par traction du front après que l'outil se soit refroidi
- ! **montez un accessoire uniquement lorsque la sortie d'air est froide, l'interrupteur en position "0" et la fiche débranchée**
- Bague de suspension M ⑨
  - pour un rangement aisé de l'outil
- ! **laissez l'outil se refroidir au moins pendant 30 minutes avant de le ranger**
- Contrôle constante de la chaleur (protection contre la surcharge)
 

Protège l'élément de chauffage contre les endommagements dus à la surcharge de l'outil sans devoir l'éteindre ni le laisser refroidir pendant un certain temps

  - si la température devient trop élevée, l'élément de chauffage est automatiquement mis hors service, tandis que le moteur continue à tourner et produire de l'air froid
  - si la température a baissé suffisamment (il suffit de quelques secondes), l'élément de chauffage est automatiquement mis en service
- ! **lorsque l'outil est coupé après un travail à température élevée, puis rallumé après un court**

**instant, il faudra un moment avant que l'élément chauffant n'atteigne la température souhaitée**

## CONSEILS D'UTILISATION

- Enlèvement de peinture/laque ⑩
  - utilisez un racleur propre et bien aiguisé
  - raclez fermement dès que la peinture se ramollit
  - faites quelques essais pour déterminer le temps nécessaire à chauffer pour obtenir des résultats optimaux
  - raclez directement la peinture ramollie car sinon elle se réduit
  - observez un angle de 30° à 40° entre l'outil et la pièce
  - enlevez directement la peinture et les restes du racleur pour éviter qu'ils ne s'enflamment
  - raclez avec de la graine de bois aux endroits possibles
  - ne pas orientez le courant d'air chaud trop longtemps en un même endroit
  - se débarrassez correctement de tous les rebuts de peinture
  - nettoyez méticuleusement l'aire de travail après avoir terminé le travail
- ! **faites attention lors de l'enlèvement de couches de peinture dans des anciens bâtiments; en effet, par le passé, on a peut-être utilisé de la peinture contenant du plomb, ce qui est extrêmement toxique au traitement à la chaleur**
- ! **l'exposition au plomb, même à faible niveau peut entraîner de sérieux dommages au cerveau et au système nerveux; cette situation est particulièrement dangereuse pour les jeunes enfants et les enfants à naître**
- ! **faites enlever les peintures à base de plomb par un professionnel sans faire usage d'un pistolet chauffant**

#### AUTRE EXEMPLE D'APPLICATION:

- ★ enlèvement de couverture (synthétique) de mur
- Enlèvement de peinture/laque sur fenêtres ⑪
  - **toujours** utilisez une embouchure de protection en verre G pour travailler à proximité du verre
  - enlevez la peinture avec un racleur manuel
- ! **ne pas utiliser l'outil pour enlever la peinture de fenêtres encadrées de métal; le métal est conducteur de chaleur et peut donc occasionner la rupture de la glace**
- Enlèvement d'autocollants (utilisez l'embouchure plate H) ⑫
  - de nombreux adhésifs se ramollissent au chauffage autorisant la séparation des liaisons et l'enlèvement des restes d'adhésifs
- ! **chauffez l'autocollant à sa section supérieure**
- ! **toujours faites attention à ne pas trop chauffer la surface sous-jacente**
- AUTRES EXEMPLES D'APPLICATION:
  - ★ enlèvement de linoléum et de moquette en vinyle
  - ★ enlèvement de dalles de moquette en fibres synthétiques
  - ★ enlèvement des placages/application des bandes de placage
  - ★ ramollissement/fusion du goudron, de l'étain, du bitume, de la cire (utilisez l'embouchure plate H)
  - ★ cirage (skis, meubles) (utilisez l'embouchure plate H) ⑬

- ★ enlèvement de résine
- ★ détachement de vis, écrous et boulons métalliques rouillés/fort serrés
- ★ enlèvement de la cire de bougie (**ne pas surchauffer la surface sous-jacente**)
- ★ réparation des bougies cassées/remise en forme originale des chandelles
- Fixation par thermorétraction (14)
  - utilisez l'embouchure réflecteur J ou l'embouchure réducteur K
  - choisissez une gaine thermorétractable d'un diamètre correspondant à la pièce
  - chauffez la gaine de façon uniforme
- AUTRE EXEMPLE D'APPLICATION:
  - ★ enveloppement par thermorétraction
- Soudage des tuyauteries d'eau (15)
 

Cet outil convient au mieux en combinaison avec du matériau de soudage doux (point de fusion inférieur à 400°)

  - utilisez l'embouchure réflecteur J
  - nettoyez méticuleusement les deux sections à joindre avant de procéder au soudage
  - préchauffez les deux sections et appliquez du fil à souder (**ne pas utiliser du fil à souder à base de plomb**)
- Dégel des tuyauteries d'eau gelées (16)
  - utilisez l'embouchure réflecteur J
  - réchauffez la surface gelée de façon uniforme

**! il est souvent difficile de distinguer les tuyauteries d'eau des tuyauteries de gaz; le chauffage de tuyauteries de gaz est extrêmement dangereux et implique le risque d'explosion**

#### AUTRES EXEMPLES D'APPLICATION:

- ★ dégel des tuyauteries d'eau en PVC (**position I, max. 60°C**)
- ★ dégel de serrures de voiture (**position I, max. 60°C**) (utilisez l'embouchure réducteur K)
- ★ dégel de congélateurs (**attention à ne pas endommager l'enveloppe en plastique**)
- ★ dégel de marches et de trottoirs recouverts de glace
- Mise en forme de tubes en plastique
  - utilisez l'embouchure réflecteur J
  - remplacez le tube de sable et le scellez aux deux extrémités pour éviter qu'il ne se torde
  - chauffez le tube de façon uniforme en le déplaçant d'un côté à l'autre

#### AUTRES EXEMPLES D'APPLICATION:

- ★ mise en forme de toutes les substances plastiques ayant un point de fusion bas (polyéthylène, PVC etc.)
- ★ mise en forme de toutes les substances plastiques ayant un point de fusion élevé (verre acrylique, Plexiglas etc.)
- ★ mise en forme et flexion des dalles de moquette en fibres synthétiques
- ★ mise en forme et flexion du bois (construction de modèles réduits)
- Soudage de plastique
  - le joint doit être propre et exempt de graisse
  - tenez la baguette près du joint et appliquez jusqu'à ce que la baguette devienne collante
  - enlevez la source de chaleur dès que le joint est rempli

#### AUTRES EXEMPLES D'APPLICATION:

- ★ réparation des planches de surf, des skis et autres articles synthétiques de sport (utilisez l'embouchure plate H)
- ★ soudage de matériaux en PVC
- ★ lissage des soufflures après collage d'étiquettes PVC
- ★ connexion de tuyaux d'arrosage (utilisez l'embouchure réflecteur J)
- Séchage
  - ! séchez uniquement à faible ou moyenne température (position 1 ou 2) et à une distance suffisante entre l'outil et la pièce**
  - séchage de peinture, de vernis, de gypse, de mortier et de plâtre
  - séchage du bois humide avant remplissage
  - séchage rapide du mastic ou de l'adhésif appliqués en grosse couche
  - séchage de joints de construction avant pulvérisation de l'isolation ou de l'étanchéité
  - séchage des joints et des fissures de la carcasse d'un bateau
- Nettoyage/désinfection
  - désinfection des cages à lapins, des pigeonniers, etc. (**enlevez d'abord votre animal**)
  - élimination des colonies de fourmis
  - élimination des vers à bois et des vrillettes (**tenez l'outil à une distance adéquate du bois**)
  - élimination des mauvaises herbes

## ENTRETIEN / SERVICE APRES-VENTE

- Cet outil n'est pas conçu pour un usage professionnel
- Gardez toujours votre outil et le câble propres (spécialement les aérations F (2))
- Ne jamais utilisez de liquides fort inflammables pour le nettoyage du pistolet chauffant en général et de l'embouchure d'air en particulier
- Si, malgré tous les soins apportés à la fabrication et au contrôle de l'outil, celui-ci devait avoir un défaut, la réparation ne doit être confiée qu'à une station de service après-vente agréée pour outillage SKIL
  - retournez l'outil **non démonté** avec votre preuve d'achat au revendeur ou au centre de service après-vente SKIL le plus proche (les adresses ainsi que la vue éclatée de l'outil figurent sur [www.skil.com](http://www.skil.com))

## ENVIRONNEMENT

- **Ne jetez pas les outils électriques, les accessoires et l'emballage dans les ordures ménagères** (pour les pays européens uniquement)
  - conformément à la directive européenne 2012/19/EG relative aux déchets d'équipements électriques ou électroniques, et à sa transposition dans la législation nationale, les outils électriques usés doivent être collectés séparément et faire l'objet d'un recyclage respectueux de l'environnement
  - le symbole (17) vous le rappellera au moment de la mise au rebut de l'outil

# DÉCLARATION DE CONFORMITÉ CE

- Nous déclarons sous notre propre responsabilité que le produit décrit sous "Caractéristiques techniques" est en conformité avec les normes ou documents normatifs suivants: EN 60335, EN 61000, EN 55014, conformément aux termes des réglementations en vigueur 2006/95/CE, 2004/108/CE, 2011/65/UE
- **Dossier technique auprès de:** SKIL Europe BV (PT-SEU/ENG1), 4825 BD Breda, NL

Marijn van der Hoofden  
Operations & Engineering

Olaf Dijkgraaf  
Approval Manager

SKIL Europe BV, 4825 BD Breda, NL

03.09.2014

CE11

D

## Heißluftpistole

8004

### EINLEITUNG

- Dieses Werkzeug ist für das Entfernen von Farbe, das Formen und Schweißen von Kunststoff und das Erhitzen von Wärmeschumpfhrohren vorgesehen; das Werkzeug ist auch für das Löten und Verzinnen, Lockern von Klebeverbindungen und Auftauen von Wasserrohren geeignet
- Dieses Werkzeug eignet sich nicht für den professionellen Einsatz
- Bitte diese Bedienungsanleitung sorgfältig lesen und aufbewahren ③

### TECHNISCHE DATEN ①

### WERKZEUGKOMPONENTEN ②

- A Ein/Aus-Schalter
- B Schalter zur Temperatureinstellung
- C Schalter zur Luftstromeinstellung
- D Display (LCD)
- E Schutzring
- F Lüftungsschlitze
- G Glasschutzdüse
- H Flachdüse
- J Reflektordüse
- K Reduzierdüse
- L Luftöffnung/Düse
- M Hängering

### SICHERHEIT

#### ALLGEMEINE SICHERHEITSHINWEISE

**⚠ ACHTUNG! Lesen Sie alle Sicherheitshinweise und Anweisungen.** Versäumnisse bei der Einhaltung der Sicherheitshinweise und Anweisungen können elektrischen Schlag, Brand und/oder schwere Verletzungen

verursachen. **Bewahren Sie alle Sicherheitshinweise und Anweisungen für die Zukunft auf.** Der in den Sicherheitshinweisen verwendete Begriff "Elektrowerkzeug" bezieht sich auf netzbetriebene Elektrowerkzeuge (mit Netzkabel) und auf akkubetriebene Elektrowerkzeuge (ohne Netzkabel).

#### 1) ARBEITSPLATZSICHERHEIT

- a) **Halten Sie Ihren Arbeitsbereich sauber und gut beleuchtet.** Unordnung oder unbeleuchtete Arbeitsbereiche können zu Unfällen führen.
- b) **Arbeiten Sie mit dem Gerät nicht in explosionsgefährdeter Umgebung, in der sich brennbare Flüssigkeiten, Gase oder Stäube befinden.** Elektrowerkzeuge erzeugen Funken, die den Staub oder die Dämpfe entzünden können.
- c) **Halten Sie Kinder und andere Personen während der Benutzung des Elektrowerkzeugs fern.** Bei Ablenkung können Sie die Kontrolle über das Gerät verlieren.

#### 2) ELEKTRISCHE SICHERHEIT

- a) **Der Anschlussstecker des Gerätes muss in die Steckdose passen. Der Stecker darf in keiner Weise verändert werden. Verwenden Sie keine Adapterstecker gemeinsam mit schutzgeerdeten Geräten.** Unveränderte Stecker und passende Steckdosen verringern das Risiko eines elektrischen Schlages.
- b) **Vermeiden Sie Körperkontakt mit geerdeten Oberflächen, wie von Rohren, Heizungen, Herden und Kühlschränken.** Es besteht ein erhöhtes Risiko durch elektrischen Schlag, wenn Ihr Körper geerdet ist.
- c) **Halten Sie das Gerät von Regen oder Nässe fern.** Das Eindringen von Wasser in ein Elektrogerät erhöht das Risiko eines elektrischen Schlages.
- d) **Zweckfremden Sie das Kabel nicht, um das Gerät zu tragen, aufzuhängen oder um den Stecker aus der Steckdose zu ziehen. Halten Sie das Kabel fern von Hitze, Öl, scharfen Kanten oder sich bewegenden Geräteteilen.** Beschädigte oder verwickelte Kabel erhöhen das Risiko eines elektrischen Schlages.
- e) **Wenn Sie mit einem Elektrowerkzeug im Freien arbeiten, verwenden Sie nur Verlängerungskabel, die auch für den Außenbereich zugelassen sind.** Die Anwendung eines für den Außenbereich geeigneten Verlängerungskabels verringert das Risiko eines elektrischen Schlages.
- f) **Wenn der Betrieb des Elektrowerkzeuges in feuchter Umgebung nicht vermeidbar ist, verwenden Sie einen Fehlerstromschutzschalter.** Der Einsatz eines Fehlerstromschutzschalters vermindert das Risiko eines elektrischen Schlages.

#### 3) SICHERHEIT VON PERSONEN

- a) **Seien Sie aufmerksam, achten Sie darauf, was Sie tun, und gehen Sie mit Vernunft an die Arbeit mit einem Elektrowerkzeug. Benutzen Sie das Gerät nicht, wenn Sie müde sind oder unter dem Einfluss von Drogen, Alkohol oder Medikamenten stehen.** Ein Moment der Unachtsamkeit beim Gebrauch des Gerätes kann zu ernsthaften Verletzungen führen.

- b) **Tragen Sie persönliche Schutzausrüstung und immer eine Schutzbrille.** Das Tragen persönlicher Schutzausrüstung, wie Staubmaske, rutschfeste Sicherheitsschuhe, Schutzhelm oder Gehörschutz, je nach Art und Einsatz des Elektrowerkzeuges, verringert das Risiko von Verletzungen.
- c) **Vermeiden Sie eine unbeabsichtigte Inbetriebnahme. Vergewissern Sie sich, dass das Elektrowerkzeug ausgeschaltet ist, bevor Sie es an die Stromversorgung und/oder den Akku anschließen, es aufnehmen oder tragen.** Wenn Sie beim Tragen des Elektrowerkzeuges den Finger am Schalter haben oder das Gerät eingeschaltet an die Stromversorgung anschließen, kann dies zu Unfällen führen.
- d) **Entfernen Sie Einstellwerkzeuge oder Schraubenschlüssel, bevor Sie das Gerät einschalten.** Ein Werkzeug oder Schlüssel, der sich in einem drehenden Geräteteil befindet, kann zu Verletzungen führen.
- e) **Überschätzen Sie sich nicht. Sorgen Sie für einen sicheren Stand und halten Sie jederzeit das Gleichgewicht.** Dadurch können Sie das Gerät in unerwarteten Situationen besser kontrollieren.
- f) **Tragen Sie geeignete Kleidung. Tragen Sie keine weite Kleidung oder Schmuck. Halten Sie Haare, Kleidung und Handschuhe fern von sich bewegendenden Teilen.** Lockere Kleidung, Schmuck oder lange Haare können von sich bewegendenden Teilen erfasst werden.
- g) **Wenn Staubabsaug- und -auffangeinrichtungen montiert werden können, vergewissern Sie sich, dass diese angeschlossen sind und richtig verwendet werden.** Verwendung einer Staubabsaugung verringert Gefährdungen durch Staub.
- 4) SORGFÄLTIGER UMGANG UND GEBRAUCH VON ELEKTROWERKZEUGEN**
- a) **Überlasten Sie das Gerät nicht. Verwenden Sie für Ihre Arbeit das dafür bestimmte Elektrowerkzeug.** Mit dem passenden Elektrowerkzeug arbeiten Sie besser und sicherer im angegebenen Leistungsbereich.
- b) **Benutzen Sie kein Elektrowerkzeug, dessen Schalter defekt ist.** Ein Elektrowerkzeug, das sich nicht mehr ein- oder ausschalten lässt, ist gefährlich und muss repariert werden.
- c) **Ziehen Sie den Stecker aus der Steckdose und/oder entfernen Sie den Akku, bevor Sie Geräteeinstellungen vornehmen, Zubehörteile wechseln oder das Gerät weglegen.** Diese Vorsichtsmaßnahme verhindert den unbeabsichtigten Start des Geräts.
- d) **Bewahren Sie unbenutzte Elektrowerkzeuge außerhalb der Reichweite von Kindern auf. Lassen Sie Personen das Gerät nicht benutzen, die mit diesem nicht vertraut sind oder diese Anweisungen nicht gelesen haben.** Elektrowerkzeuge sind gefährlich, wenn Sie von unerfahrenen Personen benutzt werden.
- e) **Pflegen Sie das Gerät mit Sorgfalt. Kontrollieren Sie, ob bewegliche Geräteteile einwandfrei funktionieren und nicht klemmen, ob Teile gebrochen oder so beschädigt sind, dass die Funktion des Gerätes beeinträchtigt ist. Lassen Sie beschädigte Teile vor**

**dem Einsatz des Geräts reparieren.** Viele Unfälle haben ihre Ursache in schlecht gewarteten Elektrowerkzeugen.

- f) **Halten Sie Schneidwerkzeuge scharf und sauber.** Sorgfältig gepflegte Schneidwerkzeuge mit scharfen Schneidkanten verklemmen sich weniger und sind leichter zu führen.

- g) **Verwenden Sie Elektrowerkzeug, Zubehör, Einsatzwerkzeuge usw. entsprechend diesen Anweisungen. Berücksichtigen Sie dabei die Arbeitsbedingungen und die auszuführende Tätigkeit.** Der Gebrauch von Elektrowerkzeugen für andere als die vorgesehenen Anwendungen kann zu gefährlichen Situationen führen.

## 5) SERVICE

- a) **Lassen Sie Ihr Gerät nur von qualifiziertem Fachpersonal und nur mit Original-Ersatzteilen reparieren.** Damit wird sichergestellt, dass die Sicherheit des Geräts erhalten bleibt.

## SICHERHEITSHINWEISE FÜR HEISSLUFTPISTOLEN

### VOR DER ANWENDUNG:

- Die Funktion des Werkzeuges vor jeder Anwendung prüfen und es bei einem Defekt sofort von einer qualifizierten Person reparieren lassen; das Werkzeug niemals selbst öffnen
- Werkzeugkabel und -stecker vor jeder Anwendung kontrollieren und bei Beschädigung von einer qualifizierten Person austauschen lassen
- Bei Benutzung von Verlängerungskabeln ist darauf zu achten, daß das Kabel vollständig abgerollt ist und eine Kapazität von 16 A hat
- Das Verlängerungskabel regelmäßig kontrollieren; ein beschädigtes Verlängerungskabel ist auszutauschen
- Das Werkzeug und sein Zubehör im Einklang mit dieser Bedienungsanleitung und auf für das Werkzeug vorschriftsmäßige Weise benutzen; Benutzung des Werkzeuges für Arbeiten, die sich von den vom Werkzeug normalerweise ausgeführten unterscheiden, könnte eine gefährliche Situation heraufbeschwören
- Der Benutzer dieses Werkzeuges sollte älter als 16 Jahre sein
- Dieses Werkzeug ist nicht dafür bestimmt durch Personen (einschließlich Kinder) mit eingeschränkten physischen, sensorischen oder geistigen Fähigkeiten, oder mangelnder Erfahrung und Wissen, benutzt zu werden; es sei denn, sie werden durch eine für ihre Sicherheit zuständige Person beaufsichtigt oder erhalten von ihr Anweisungen, wie das Werkzeug zu benutzen ist
- Stets nachprüfen, daß die Netzspannung mit der auf dem Typenschild des Werkzeuges angegebenen Spannung übereinstimmt
- Beim Anschließen sicherstellen, daß das Werkzeug ausgeschaltet ist

### WÄHREND DER ANWENDUNG:

- Sorgfältig mit dem Werkzeug umgehen; Feuer und Verbrennungen verhüten**
  - die Luftöffnung/Düse und das erwärmte Objekt nicht berühren; sie werden äußerst heiß
  - die Luftöffnung/Düse nicht zu nahe an das zu bearbeitende Objekt halten

- den Heißluftstrom nicht zu lange auf dieselbe Oberfläche richten
- niemals in die Luftöffnung/Düse schauen
- Schutzhandschuhe und Schutzbrille tragen
- den Heißluftstrom niemals auf Personen oder Tiere richten
- das Werkzeug niemals zum Haaretrocknen benutzen
- das Werkzeug niemals unbeaufsichtigt lassen
- das Werkzeug niemals in der Nähe von entzündlichen Gasen oder brennbaren Materialien benutzen (**Explosionsgefahr**)
- bei der Arbeit mit Kunststoff, Farbe, Lack und ähnlichen Materialien können entzündliche und giftige Gase entstehen; informieren Sie sich vorher über die zu bearbeitenden Materialien
- bedenken Sie, daß Hitze auf brennbare Materialien außerhalb des Sichtfeldes übertragen werden kann
- sicherheitshalber einen Eimer Wasser oder einen Feuerlöscher bereithalten, falls irgendein Material Feuer fängt
- **Stromschlag verhüten**
  - niemals irgendetwas in die Luftöffnung/Düse stopfen
  - Körperkontakt mit geerdeten Oberflächen (z.B. Rohren, Heizkörpern, Herden, Kühlschränken) vermeiden
  - sicherstellen, daß das Werkzeug nicht naß wird
  - das Werkzeug nicht an feuchten Orten benutzen
  - bei Anwendung im Freien das Werkzeug über einen Fehlerstrom- (FI) Schutzschalter mit einem Auslösestrom von 30 mA max. anschließen, und nur ein Verlängerungskabel benutzen, das für die Anwendung im Freien vorgesehen und mit einer spritzwassergeschützten Anschlußstelle versehen ist
- **Mit dem Kabel vorsichtig umgehen**
  - das Kabel stets vom Heißluftstrom und von der Luftöffnung/Düse fernhalten
  - das Kabel von Hitze, Öl und scharfen Kanten fernhalten
  - das Werkzeug nicht am Kabel tragen, und das Kabel zum Stromlosmachen nicht aus der Steckdose reißen
  - das Werkzeug nicht am Kabel herabhängen lassen
- Das Werkzeug niemals in Verbindung mit chemischen Lösungsmitteln benutzen
- Sicherstellen, daß der Arbeitsbereich ausreichend gelüftet ist
- Den Arbeitsbereich sauber und gut beleuchtet halten
- Kinder vom Arbeitsbereich fernhalten
- Stellen Sie sicher, dass Kinder nicht mit dem Werkzeug spielen
- Einschaltvorgänge erzeugen kurzfristige Spannungsabsenkungen; bei ungünstigen Netzbedingungen können Beeinträchtigungen anderer Geräte auftreten (bei Netzimpedanzen kleiner als 0,127 + j0,079 Ohm sind keine Störungen zu erwarten); für weitere Auskünfte setzen Sie sich bitte mit Ihrem örtlichen Energieversorger in Verbindung
- Stets wachsam sein; darauf achten, was Sie tun, sich auf gesunden Menschenverstand verlassen und das Werkzeug nicht benutzen, wenn Sie ermüdet sind
- Auf sicheren Stand achten; sich nicht übernehmen, insbesondere auf Leitern und Podesten
- Sicherstellen, daß das Werkzeug abgeschaltet ist, bevor es beiseite gelegt wird
- Bei elektrischer oder mechanischer Fehlfunktion das Werkzeug sofort ausschalten und den Netzstecker ziehen

#### NACH DER ANWENDUNG:

- Das Werkzeug abschalten und den Netzstecker ziehen
- **Das Werkzeug vor der Aufbewahrung mindestens 30 Minuten abkühlen lassen**
- Das Werkzeug am Hängering M ② aufhängen oder es in aufrechter Position auf seinem Hinterteil ablegen; dabei sicherstellen, daß sich keine brennbaren Materialien oder entzündlichen Gase in der Nähe befinden
- Das Werkzeug niemals im Freien lagern/lassen
- Das Werkzeug an trockener und abgesperrter Stelle, für Kinder unzugänglich, lagern

#### BEDIENUNG

- Ein/Aus-Schalter mit 2 Temperatureinstellungen ④
  - ! **prüfen, ob Schalter A sich in Stellung „0“ befindet, bevor der Netzanschluß erfolgt**
  - das Werkzeug durch Schieben von Schalter A in die gewünschte Stellung einschalten:
    - I = 50°C + Luftstrom 250-500 Liter/Minute
    - II = 50°C ... 650°C, Luftstrom 250-500 Liter/Minute
  - bei erster Anwendung des Werkzeuges kann etwas Rauch austreten; dies ist normal und hört bald auf
  - das Werkzeug durch Schieben von Schalter A in Stellung „0“ abschalten
- Temperatureinstellung ⑤
  - stellen Sie die gewünschte Zieltemperatur, in Schritten von 10°C, durch kurzes Drücken der Schalter B ein
  - konstantes Drücken B der Schalter erhöht/senkt die Zieltemperatur solange, bis die Schalter gelöst werden oder die minimale/maximale Temperatur erreicht ist
  - nach dem Einstellen der Zieltemperatur, zeigt das Display D das aktuelle Steigen/Fallen der Temperatur an, bis die gewünschte Temperatur erreicht ist (nur in Stellung "II")
  - die Zieltemperatur wird im Speicher des Werkzeugs gespeichert, sodass sich das Werkzeug beim nächsten Einschalten auf die zuletzt gewählte Zieltemperatur aufheizt
- LuftstromEinstellung ⑥
  - stellen Sie den gewünschten Luftstrom, in Schritten von 50 l/min., durch kurzes Drücken der Schalter C ein
  - das Display D zeigt die gewählte LuftstromEinstellung in einem Balkendiagramm an
- Allgemeine Anwendung
  - die richtige Temperatur durch Ausprobieren an einem unauffälligen Teil des Werkstückes ermitteln; mit einer niedrigen Temperatureinstellung beginnen
  - die Temperatur fällt bei zunehmendem Abstand zwischen der Luftöffnung/Düse und dem Werkstück
  - die erforderliche Temperatur hängt von zu bearbeitenden Material ab
- Stationäre Anwendung ⑦
  - das Werkzeug auf seinem Hinterteil in aufrechter Position ablegen
  - sicherstellen, daß die Oberfläche sauber und staubfrei ist; verschmutzte Luft beschädigt den Motor

- sicherstellen, daß der Luftstrom von Ihnen weg gerichtet ist
  - das Kabel sichern, um Herunterziehen des Werkzeuges zu verhindern
  - die Luftöffnung/Düse nicht berühren
  - sicherstellen, daß nichts in die Luftöffnung/Düse fällt
  - das Werkzeug vorsichtig mit einer Hand halten, während es mit der anderen Hand abgeschaltet wird, und es anschließend abkühlen lassen
  - Anwendung an schwer zugänglicher Stelle
    - Ring E ② entfernen, wodurch die Metall-Luftöffnung über eine größere Entfernung freigegeben wird
  - ! **auf die zunehmende Feuer- und Verbrennungsgefahr achten**
  - Halten und Führen des Werkzeuges ⑧
    - das Werkzeug mit einer Hand halten
    - Lüftungsschlitze F ② unbedeckt halten
  - Standard-Zubehör ②
    - Glasschutzdüse G (zur Ablenkung des Luftstroms)
    - Flachdüse H (zur Verbreiterung des Luftstroms)
    - Reflektordüse J (zur Ablenkung des Luftstroms)
    - Reduzierdüse K (zur Ablenkung des Luftstroms)
- HINWEISE:
- alle Anwendungsbeispiele (**außer Entfernen von Farbe an Fenstern**) können ohne Zubehör durchgeführt werden; allerdings vereinfacht entsprechendes Zubehör die Arbeit und führt zu qualitativ wesentlich besseren Ergebnissen
  - dieses Werkzeug kann auch in Kombination mit BOSCH- und anderen handelsüblichen Zubehöerteilen für Heißluftpistolen benutzt werden
  - Montieren/Entfernen des Zubehörs
    - das Zubehör einfach auf Luftöffnung L ② montieren
    - ein Zubehöerteil entfernen, indem es nach dem Abkühlen nach vorne abgezogen wird
  - ! **ein Zubehöerteil nur dann montieren, wenn die Luftöffnung kalt ist, sich der Schalter in Stellung „0“ befindet und der Netzstecker gezogen ist**
  - Hängering M ⑨
    - zur praktischen Aufbewahrung des Werkzeugs
  - ! **das Werkzeug vor der Aufbewahrung mindestens 30 Minuten abkühlen lassen**
  - Konstant-Kontrolle der Hitze (Überlastschutz)
 

Schützt Heizelement vor Beschädigung, wenn das Werkzeug überlastet ist, ohne daß es angehalten werden und/oder eine Zeitlang abkühlen muß

    - wenn die Temperatur zu hoch ist, schaltet das Heizelement sich selbst ab, während der Motor weiterläuft und kalte Luft erzeugt
    - wenn die Temperatur genügend gefallen ist (dauert nur ein paar Sekunden), wird das Heizelement automatisch eingeschaltet
  - ! **wenn das Werkzeug nach Arbeiten mit hoher Temperatureinstellung abgeschaltet und nach einer kurzen Pause wieder eingeschaltet wird, kann es eine Weile dauern, bis das Heizelement die gewünschte Temperatur erreicht**

## ANWENDUNGSHINWEISE

- Entfernen von Farbe/Lack ⑩
  - einen sauberen, scharfen Schaber benutzen
  - fest schaben, wenn die Farbe erweicht

- experimentieren Sie, um herauszufinden, wie lange die Hitzeanwendung zur Erzielung optimaler Ergebnisse nötig ist
  - die erweichte Farbe sofort wegschaben, weil sie ansonsten wieder hart wird
  - das Werkzeug in einem Winkel von 30° bis 40° zum Werkstück halten
  - Farbe und Schmutz sofort vom Schaber entfernen, um deren Entzünden zu verhindern
  - nach Möglichkeit die Holzmaserung entlang schaben
  - den Heißluftstrom nicht zu lange auf dieselbe Oberfläche richten
  - alle Farbabfälle sicher entsorgen
  - den Arbeitsbereich nach Beendigung der Arbeit gründlich reinigen
  - ! **beim Entfernen von Farbschichten in Altbauten vorsichtig sein; in der Vergangenheit wurde das Gebäude evtl. mit bleihaltiger Farbe, die hochgiftig ist, angestrichen**
  - ! **Exposition selbst an geringe Niveaus von Blei kann das Gehirn und das Nervensystem ernsthaft schädigen; Kleinkinder und Babys im Mutterleib sind besonders gefährdet**
  - ! **Farbe auf Bleibasis von einem Fachmann ohne Zuhilfenahme einer Heißluftpistole entfernen lassen**
- WEITERES ANWENDUNGSBEISPIEL:
- ★ Entfernen von (synthetischen) Wandbehängen
- Entfernen von Farbe/Lack von Fenstern ⑪
  - beim Arbeiten in der Nähe von Glas **stets** Glasschutzdüse G benutzen
  - die Farbe mit einem Handschaber entfernen
- ! **das Werkzeug nicht zum Entfernen von Farbe an Metallrahmenfenstern benutzen; Metall ist ein Wärmeleiter, weshalb es zu Glasbruch kommen kann**
- Entfernen von Aufklebern (Flachdüse H benutzen) ⑫
  - zahlreiche Klebstoffe werden beim Erwärmen weicher, was es ermöglicht, Klebeverbindungen aufzulösen und überflüssigen Klebstoff zu entfernen
- ! **Aufkleber auf der Oberseite erhitzen**
- ! **stets sicherstellen, daß die darunter befindliche Oberfläche nicht überhitzt wird**
- WEITERE ANWENDUNGSBEISPIELE:
- ★ Entfernen von Linoleum- und Vinyl-Bodenbelägen
  - ★ Entfernen von aus Kunstfasern bestehenden Teppichfliesen
  - ★ Entfernen von Furnieren/Anbringen von Furnierleisten
  - ★ Erweichen/Schmelzen von Teer, Zinn, Bitumen, Wachs (Flachdüse H benutzen)
  - ★ Wachsen (Skier, Möbel) (Flachdüse H benutzen) ⑬
  - ★ Entfernen von Harz
  - ★ Lockern von rostigen/zu fest angezogenen Metallschrauben, -muttern und -bolzen
  - ★ Entfernen von Kerzenwachs (**die darunter befindliche Oberfläche nicht überhitzen**)
  - ★ Reparatur zerbrochener Kerzen/Wiederherstellung der ursprünglichen Form verbogener Kerzen
- Schrumpfpassungen ⑭
  - Reflektordüse J oder Reduzierdüse K benutzen
  - ein Schrumpfrohr mit einem zum Werkstück passenden Durchmesser wählen
  - das Schrumpfrohr gleichmäßig erwärmen

#### WEITERES ANWENDUNGSBEISPIEL:

- ★ Schrumpfverpackung
- Lötten von Wasserrohren ⑮
- Dieses Werkzeug ist für das Arbeiten mit Weichlot (Schmelzpunkt unter 400°) bestens geeignet
- Reflektordüse J benutzen
- beide zu verbindenden Abschnitte vor dem Lötten gründlich reinigen
- beide Abschnitte vorwärmen und Lötdraht ansetzen (**kein Lötdraht auf Bleibasis benutzen**)

- Auftauen gefrorener Wasserleitungen ⑮
- Reflektordüse J benutzen
- den gefrorenen Bereich gleichmäßig auftauen
- ! **Wasserleitungen lassen sich oft nur schwer von Gasleitungen unterscheiden; das Erhitzen von Gasleitungen ist äußerst gefährlich - Explosionsgefahr**

#### WEITERE ANWENDUNGSBEISPIELE:

- ★ Auftauen von aus PVC bestehenden Wasserleitungen (**Position I, max. 60°C**)
- ★ Auftauen von gefrorenen Kfz-Schlössern (**Position I, max. 60°C**) (Reduzierdüse K benutzen)
- ★ Entfrostern von Tiefkühltruhen (**nicht das Kunststoffgehäuse beschädigen**)
- ★ Auftauen von eisbedeckten Stufen und Bürgersteigen
- Formen von Kunststoffrohren
- Reflektordüse J benutzen
- das Rohr mit Sand füllen und es an beiden Enden verschließen, um Knicken des Rohres zu vermeiden
- das Rohr gleichmäßig erwärmen, indem es von einer Seite zur anderen bewegt wird

#### WEITERE ANWENDUNGSBEISPIELE:

- ★ Formen sämtlicher Kunststoffe mit einem niedrigen Schmelzpunkt (Polyethylen, PVC usw.)
- ★ Formen sämtlicher Kunststoffe mit einem hohen Schmelzpunkt (Acrylglas, Plexiglas usw.)
- ★ Formen und Biegen von aus Kunstfasern bestehenden Teppichfliesen
- ★ Formen und Biegen von Holz (Modellbau)
- Schweißen von Kunststoffen
- die Schweißnaht muß sauber und fettfrei sein
- den Schweißdraht nahe an die Schweißnaht halten und Hitze zuführen, bis der Schweißdraht klebrig wird
- Wärme wegnehmen, wenn Schweißnaht gefüllt ist
- WEITERE ANWENDUNGSBEISPIELE:
- ★ Reparatur von Surfbrettern, Skiern und sonstigen Sportgeräten aus Kunststoff (Flachdüse H benutzen)
- ★ Schweißen von PVC-Materialien
- ★ Glätten von Blasen nach Anbringen von PVC-Etiketten
- ★ Anschluß von Gartenschläuchen (Reflektordüse J benutzen)

- Trocknen
- ! **nur mit einer niedrigen oder mittleren Temperatureinstellung (Position 1 oder 2) und bei einer größeren Entfernung zwischen Werkzeug und Werkstück trocknen**
- Trocknen von Farbe, Lack, Gips, Mörtel und Verputz
- Trocknen von nassem Holz vor dem Füllen
- Schnelltrocknen von dick aufgetragenem Füllmaterial oder Klebstoff

- Trocknen von Baufugen vor Aufsprühen von Isolierung oder Dichtmasse
- Trocknen von Fugen und Rissen im Bootbau
- Reinigung/Desinfektion
- Desinfektion von Kaninchenställen, Taubenschlägen usw. (**Ihr Haustier zuerst herausnehmen**)
- Bekämpfung von Ameisenkolonien
- Bekämpfung von Holzwürmern und Bohrkäfern (**das Werkzeug vom Holz entsprechend weit entfernt halten**)
- Unkrautvernichtung

## WARTUNG / SERVICE

- Dieses Werkzeug eignet sich nicht für den professionellen Einsatz
- Halten Sie Werkzeug und Kabel immer sauber (insbesondere die Lüftungsschlitze F ②)
- Verwenden Sie niemals entzündliche Flüssigkeiten zur generellen Reinigung der Heißluftpistole und insbesondere der Luftöffnung/Düse
- Sollte das Elektrowerkzeug trotz sorgfältiger Herstellungs- und Prüfverfahren einmal ausfallen, ist die Reparatur von einer autorisierten Kundendienststelle für SKIL-Elektrowerkzeuge ausführen zu lassen
- das Werkzeug **unzerlegt**, zusammen mit dem Kaufbeleg, an den Lieferer oder die nächste SKIL-Vertragswerkstätte senden (die Anschriften so wie die Ersatzteilzeichnung des Werkzeuges finden Sie unter [www.skil.com](http://www.skil.com))

## UMWELT

- **Elektrowerkzeuge, Zubehör und Verpackungen nicht in den Hausmüll werfen** (nur für EU-Länder)
- gemäss Europäischer Richtlinie 2012/19/EG über Elektro- und Elektronik- Altgeräte und Umsetzung in nationales Recht müssen nicht mehr gebrauchsfähige Elektrowerkzeuge getrennt gesammelt und einer umweltgerechten Wiederverwertung zugeführt werden
- hieran soll Sie Symbol ⑰ erinnern

## KONFORMITÄTSERKLÄRUNG CE

- Wir erklären in alleiniger Verantwortung, daß das unter "Technische Daten" beschriebene Produkt mit den folgenden Normen oder normativen Dokumenten übereinstimmt: EN 60335, EN 61000, EN 55014, gemäß den Bestimmungen der Richtlinien 2006/95/EG, 2004/108/EG, 2011/65/EU
- **Technische Unterlagen bei:** SKIL Europe BV (PT-SEU/ENG1), 4825 BD Breda, NL

Marijn van der Hoofden  
Operations & Engineering

Olaf Dijkgraaf  
Approval Manager

SKIL Europe BV, 4825 BD Breda, NL

03.09.2014

CE11

## Heteluchtpistool

8004

### INTRODUCTIE

- Deze machine is bestemd voor het verwijderen van verflagen, het vervormen en lassen van kunststof, en het verwarmen van krimpkouzen; de machine is eveneens geschikt voor soldeer-en vertinwerk, het losmaken van lijmverbindingen en het ontdooien van waterleidingen
- Deze machine is niet bedoeld voor professioneel gebruik
- Lees en bewaar deze gebruiksaanwijzing ③

### TECHNISCHE GEGEVENS ①

#### MACHINE-ELEMENTEN ②

- A Aan/uit schakelaar
- B Knoppen voor instellen temperatuur
- C Knoppen voor instellen van luchtstroom
- D Display (LCD)
- E Beschermingsring
- F Ventilatie-openingen
- G Glasbeschermingsmondstuk
- H Plat mondstuk
- J Reflektormondstuk
- K Reduceermondstuk
- L Luchtuitlaat/mondstuk
- M Ophanging

### VEILIGHEID

#### ALGEMENE VEILIGHEIDSVOORSCHRIFTEN

**⚠ LET OP!** Lees alle veiligheidsaanschuivingen en alle voorschriften. Als de waarschuwingen en voorschriften niet worden opgevolgd, kan dit een elektrische schok, brand of ernstig letsel tot gevolg hebben. **Bewaar alle waarschuwingen en voorschriften voor toekomstig gebruik.** Het in de waarschuwingen gebruikte begrip "elektrisch gereedschap" heeft betrekking op elektrische gereedschappen voor gebruik op het stroomnet (met netsnoer) en op elektrische gereedschappen voor gebruik met een accu (zonder netsnoer).

#### 1) VEILIGHEID VAN DE WERKOMGEVING

- a) **Houd uw werkomgeving schoon en opgeruimd.** Een rommelige of onverlichte werkomgeving kan tot ongevallen leiden.
- b) **Werk met het gereedschap niet in een omgeving met explosiegevaar waarin zich brandbare vloeistoffen, gassen of stof bevinden.** Elektrische gereedschappen veroorzaken vonken die het stof of de dampen tot ontsteking kunnen brengen.
- c) **Houd kinderen en andere personen tijdens het gebruik van het elektrische gereedschap uit de buurt.** Wanneer u wordt afgeleid, kunt u de controle over het gereedschap verliezen.

#### 2) ELEKTRISCHE VEILIGHEID

- a) **De aansluitstekker van het gereedschap moet in het stopcontact passen. De stekker mag in geen geval**

**worden veranderd. Gebruik geen adapterstekkers in combinatie met geaarde gereedschappen.**

- Onveranderde stekkers en passende stopcontacten beperken het risico van een elektrische schok.
- b) **Voorkom aanraking van het lichaam met geaarde oppervlakken, bijvoorbeeld van buizen, verwarmingen, fornuizen en koelkasten.** Er bestaat een verhoogd risico door een elektrische schok wanneer uw lichaam geaard is.
- c) **Houd het gereedschap uit de buurt van regen en vocht.** Het binnendringen van water in het elektrische gereedschap vergroot het risico van een elektrische schok.
- d) **Gebruik de kabel niet voor een verkeerd doel, om het gereedschap te dragen of op te hangen of om de stekker uit het stopcontact te trekken. Houd de kabel uit de buurt van hitte, olie, scherpe randen en bewegende gereedschappdelen.** Beschadigde of in de war geraakte kabels vergroten het risico van een elektrische schok.
- e) **Wanneer u buitenshuis met elektrisch gereedschap werkt, dient u alleen verlengkabels te gebruiken die voor gebruik buitenshuis zijn goedgekeurd.** Het gebruik van een voor gebruik buitenshuis geschikte verlengkabel beperkt het risico van een elektrische schok.
- f) **Als het gebruik van het elektrische gereedschap in een vochtige omgeving onvermijdelijk is, dient u een aardlekschakelaar te gebruiken.** Het gebruik van een aardlekschakelaar vermindert het risico van een elektrische schok.

#### 3) VEILIGHEID VAN PERSONEN

- a) **Wees alert, let goed op wat u doet en ga met verstand te werk bij het gebruik van het elektrische gereedschap. Gebruik het gereedschap niet wanneer u moe bent of onder invloed staat van drugs, alcohol of medicijnen.** Een moment van onoplettendheid bij het gebruik van het gereedschap kan tot ernstige verwondingen leiden.
- b) **Draag persoonlijke beschermende uitrusting en altijd een veiligheidsbril.** Het dragen van persoonlijke beschermende uitrusting zoals een stofmasker, slipvaste werkschoenen, een veiligheidshelm of gehoorbescherming, afhankelijk van de aard en het gebruik van het elektrische gereedschap, vermindert het risico van verwondingen.
- c) **Voorkom per ongeluk inschakelen. Controleer dat het elektrische gereedschap uitgeschakeld is voordat u de stekker in het stopcontact steekt of de accu aansluit en voordat u het gereedschap oppakt of draagt.** Wanneer u bij het dragen van het elektrische gereedschap uw vinger aan de schakelaar hebt of wanneer u het gereedschap ingeschakeld op de stroomvoorziening aansluit, kan dit tot ongevallen leiden.
- d) **Verwijder instelgereedschappen of schroefslutels voordat u het gereedschap inschakelt.** Een instelgereedschap of sleutel in een draaiend deel van het gereedschap kan tot verwondingen leiden.
- e) **Probeer niet ver te reiken. Zorg ervoor dat u stevig staat en steeds in evenwicht blijft.** Daardoor kunt u het gereedschap in onverwachte situaties beter onder controle houden.



- f) **Draag geschikte kleding. Draag geen loshangende kleding of sieraden. Houd haren, kleding en handschoenen uit de buurt van bewegende delen.** Loshangende kleding, sieraden en lange haren kunnen door bewegende delen worden meegenomen.
- g) **Wanneer stofzuigings- of stofopvangvoorzieningen kunnen worden gemonteerd, dient u zich ervan te verzekeren dat deze zijn aangesloten en juist worden gebruikt.** Het gebruik van een stofzuiging beperkt het gevaar door stof.
- 4) **GEBRUIK EN ONDERHOUD VAN ELEKTRISCHE GEREEDSCHAPPEN**
- a) **Overbelast het gereedschap niet. Gebruik voor uw werkzaamheden het daarvoor bestemde elektrische gereedschap.** Met het passende elektrische gereedschap werkt u beter en veiliger binnen het aangegeven capaciteitsbereik.
- b) **Gebruik geen elektrisch gereedschap waarvan de schakelaar defect is.** Elektrisch gereedschap dat niet meer kan worden in- of uitgeschakeld, is gevaarlijk en moet worden gerepareerd.
- c) **Trek de stekker uit het stopcontact of neem de accu uit het elektrische gereedschap voordat u het gereedschap instelt, toebehoren wisselt of het gereedschap weglegt.** Deze voorzorgsmaatregel voorkomt onbedoeld starten van het gereedschap.
- d) **Bewaar niet-gebruikte elektrische gereedschappen buiten bereik van kinderen. Laat het gereedschap niet gebruiken door personen die er niet mee vertrouwd zijn en deze aanwijzingen niet hebben gelezen.** Elektrische gereedschappen zijn gevaarlijk wanneer deze door onervaren personen worden gebruikt.
- e) **Verzorg het gereedschap zorgvuldig. Controleer of bewegende delen van het gereedschap correct functioneren en niet vastklemmen en of onderdelen zodanig gebroken of beschadigd zijn dat de werking van het gereedschap nadelig wordt beïnvloed. Laat beschadigde delen repareren voordat u het gereedschap gebruikt.** Veel ongevallen hebben hun oorzaak in slecht onderhouden elektrische gereedschappen.
- f) **Houd snijdende inzetgereedschappen scherp en schoon.** Zorgvuldig onderhouden snijdende inzetgereedschappen met scherpe snijkanten klemmen minder snel vast en zijn gemakkelijker te geleiden.
- g) **Gebruik elektrische gereedschappen, toebehoren, inzetgereedschappen en dergelijke volgens deze aanwijzingen. Let daarbij op de arbeidsomstandigheden en de uit te voeren werkzaamheden.** Het gebruik van elektrische gereedschappen voor andere dan de voorziene toepassingen kan tot gevaarlijke situaties leiden.
- 5) **SERVICE**
- a) **Laat het gereedschap alleen repareren door gekwalificeerd en vakkundig personeel en alleen met originele vervangingsonderdelen.** Daarmee wordt gewaarborgd dat de veiligheid van het gereedschap in stand blijft.

## VEILIGHEIDSVOORSCHRIFTEN VOOR HETELUCHTPISTOLEN

### VOÓR GEBRUIK:

- Controleer vóór elk gebruik de werking van de machine, en laat deze in geval van een defect onmiddellijk repareren door een erkende vakman; open zelf nooit de machine
- Controleer vóór elk gebruik het snoer en de stekker en laat deze bij beschadiging door een erkende vakman vervangen
- Gebruik volledig uitgerolde en veilige verlengsnoeren met een capaciteit van 16 Ampère
- Controleer regelmatig het verlengsnoer en vervang het, indien het is beschadigd
- Gebruik de machine en haar accessoires volgens deze gebruiksaanwijzing en voor het doel waarvoor de machine bestemd is; het gebruik van de machine voor afwijkende toepassingen, waarvan men normaliter mag verwachten dat de machine deze niet kan uitvoeren, kan gevaar opleveren
- Deze machine mag niet worden gebruikt door personen onder de 16 jaar
- Deze machine is niet bedoeld voor gebruik door personen (waaronder begrepen kinderen) met fysieke, zintuiglijke of mentale beperkingen, of een gebrek aan ervaring en kennis, tenzij zij onder toezicht staan of instructies hebben ontvangen ten aanzien van het gebruik van deze machine door een persoon, die verantwoordelijk is voor hun veiligheid
- Controleer of het voltage, dat vermeld staat op het typeplaatje van de machine, overeenkomt met de netspanning
- Zorg ervoor, dat de machine is uitgeschakeld, wanneer de stekker in het stopcontact gestoken wordt

### TIJDENS GEBRUIK:

- **Ga zorgvuldig met de machine om; voorkom brand en brandletsel**
  - raak het (opzet)mondstuk en het verhitte voorwerp niet aan; deze worden extreem heet
  - houd het (opzet)mondstuk nooit te dicht bij het te bewerken voorwerp
  - richt de hete luchtstroom niet te lang op één plaats
  - kijk nooit in het (opzet)mondstuk
  - draag beschermende handschoenen en een veiligheidsbril
  - richt de hete luchtstroom nooit op personen of dieren
  - gebruik de machine nooit als haardroger
  - laat de machine niet onbeheerd werken
  - gebruik de machine nooit in de buurt van ontvlambare gassen of brandbare materialen (**explosiegevaar**)
  - bij het bewerken van kunststof, verf, lak, en vergelijkbaar materiaal, kunnen ontvlambare en giftige gassen ontstaan; controleer voor de bewerking met welke materialen u te maken hebt
  - houd er rekening mee, dat de warmte naar brandbare materialen geleid kan worden, die niet zichtbaar zijn
  - zet voor alle veiligheid een emmer water of een brandblusapparaat klaar, voor het geval dat materialen in brand vliegen

- **Voorkom een elektrische schok**
  - steek nooit iets in het (opzet)mondstuk
  - vermijd lichaamscontact met geaarde objecten (zoals bijv. metalen buizen, CV-radiatoren, fornuizen, koelkasten)
  - zorg ervoor, dat de machine niet vochtig wordt
  - gebruik de machine niet in een vochtige omgeving
  - sluit uw machine, bij gebruik buitenshuis, aan via een aardlekschakelaar met maximaal 30 mA uitschakelstroom, en gebruik alleen voor buitenshuis gebruik goedgekeurde verlengsnoeren, voorzien van een spatwaterdichte contactstop
- **Ga zorgvuldig met het snoer om**
  - houd het snoer altijd uit de buurt van de hete luchtstroom en het (opzet)mondstuk
  - bescherm het snoer tegen hitte, olie en scherpe kanten
  - draag de machine niet aan het snoer, en gebruik het snoer niet om de stekker uit het stopcontact te trekken
  - hang de machine niet op aan het snoer
- Gebruik de machine nooit samen met chemische oplosmiddelen
- Zorg voor goede ventilatie in de werkruimte
- Houd de werkruimte op orde en zorg voor goede verlichting
- Houd kinderen weg van het werkgebied
- Zorg ervoor dat kinderen de machine niet als speelgoed gebruiken
- Inschakeling veroorzaakt een kortdurende spanningsdaling; bij een ongunstige conditie van het stroomnet kunnen nadelige gevolgen voor andere apparaten optreden (bij netimpedanties van minder dan  $0,127 + j0,079$  Ohm is het onwaarschijnlijk, dat er storingen optreden); voor meer informatie kunt u contact opnemen met uw plaatselijke energie-leverancier
- Wees steeds opmerkzaam; houd uw ogen steeds op het werk gericht, ga met verstand te werk, en gebruik de machine niet, als u moe bent
- Zorg voor een veilige houding; probeer niet ver te reiken, vooral op ladders en steigers
- Zorg ervoor, dat de machine uitgeschakeld is, voordat u deze neerlegt
- In geval van elektrische of mechanische storing, de machine onmiddellijk uitschakelen en de stekker uit het stopcontact trekken

#### NA GEBRUIK:

- Schakel de machine uit en trek de stekker uit het stopcontact
- **Laat de machine tenminste 30 minuten afkoelen voor u deze opbergt**
- Hang de machine op aan ophanging M ② of zet deze neer op de achterkant met het (opzet)mondstuk omhoog; doe dit niet in de buurt van brandbare materialen of ontvlambare gassen
- De machine niet buitenshuis opbergen/achterlaten
- Berg de machine op in droge, afgesloten ruimten, buiten het bereik van kinderen

## GEBRUIK

- Aan/uit schakelaar met 2 temperatuur-standen ④  
**! controleer of schakelaar A op "0" staat voordat u de stekker in het stopcontact steekt**

- schakel uw machine in door schakelaar A in de gewenste positie te zetten:  
I = 50°C + luchtstroom 250-500 liter/minuut  
II = 50°C ... 650°C, luchtstroom 250-500 liter/minuut
- de machine geeft bij het eerste gebruik misschien wat rook af; dit is normaal, de rook zal snel verdwijnen
- schakel uw machine uit door schakelaar A op "0" te zetten
- **Temperatuur instellen ⑤**
  - stel de gewenste temperatuur met stappen van 10°C in door kort op knoppen B te drukken
  - door constant op knoppen B te drukken gaat de doeltemperatuur voortdurend omhoog/omlaag tot de knoppen worden losgelaten of de minimale/maximale temperatuur is bereikt
  - nadat de doeltemperatuur is ingesteld, toont display D de werkelijke stijgende/dalende temperatuur tot de gewenste temperatuur is bereikt (alleen in stand "II")
  - de doeltemperatuur wordt opgeslagen in het geheugen, zodat het gereedschap altijd tot de laatst geselecteerde doeltemperatuur wordt opgewarmd wanneer het wordt aangezet
- **Luchtstroom instellen ⑥**
  - stel de gewenste luchtstroom met stappen van 50 l/min in door kort op knoppen C te drukken
  - op display D wordt de luchtstroominstelling getoond in een staafgrafiek
- **Algemeen gebruik**
  - bepaal de juiste temperatuur door uit te proberen op een onopvallend gedeelte van het werkstuk; begin met een lage temperatuur
  - de temperatuur daalt, naarmate de afstand tussen (opzet)mondstuk en werkstuk groter wordt
  - de benodigde temperatuur is afhankelijk van het te bewerken materiaal
- **Stationair gebruik ⑦**
  - zet de machine op de achterkant neer met het (opzet)mondstuk omhoog
  - zorg dat de ondergrond schoon en stofvrij is; verontreinigde lucht beschadigt de motor
  - zorg ervoor, dat de luchtstroom niet in uw richting blaast
  - maak het snoer vast, om te voorkomen dat de machine omver getrokken wordt
  - raak het (opzet)mondstuk niet aan
  - zorg ervoor, dat er niets in het (opzet)mondstuk valt
  - houd de machine voorzichtig met de ene hand vast, terwijl u hem met de andere hand uitschakelt, en laat hem vervolgens afkoelen
- Gebruik op moeilijk bereikbare plaatsen
  - verwijder ring E ②, waardoor het metalen mondstuk over een groter gedeelte vrij komt
- **! let op verhoogd risico op brand en brandletsel**
- Vasthouden en leiden van de machine ⑧
  - houd de machine met één hand vast
  - houd ventilatie-openingen F ② onbedekt
- **Standaard accessoires ⑨**
  - glasbeschermingsmondstuk G (buigt de luchtstroom weg van het glasoppervlak)
  - plat mondstuk H (verbreedt de luchtstroom)
  - reflektormondstuk J (reflecteert de luchtstroom)
  - reduceermondstuk K (concentreert de luchtstroom)

## OPMERKINGEN:

- alle toepassingsmogelijkheden (**behalve het verwijderen van verf in de buurt van glas**) kunnen worden uitgevoerd zonder accessoires; het gebruik van het juiste accessoire vereenvoudigt echter de werkzaamheden en verbetert de kwaliteit van het resultaat aanzienlijk
- deze machine kan ook worden gebruikt in combinatie met BOSCH-accessoires en andere algemeen verkrijgbare accessoires voor heteluchtpistolen
- Aanbrengen/verwijderen van accessoires
  - plaats het accessoire eenvoudig op mondstuk L ②
  - verwijder een accessoire door deze in afgekoelde toestand naar voren toe weg te trekken
- ! **breng een accessoire alleen aan, wanneer het mondstuk is afgekoeld, met de schakelaar op "0", en met de stekker uit het stopcontact**
- Ophanging M ③
  - voor eenvoudige opslag van het gereedschap
- ! **laat de machine tenminste 30 minuten afkoelen voor u deze opbergt**
- Constante hitte-beheersing (bescherming tegen oververhitting)  
Beschermt het verwarmingselement tegen doorbranden, zonder de noodzaak de machine te stoppen en/of een tijdje te laten afkoelen
  - wanneer de temperatuur te hoog oploopt, schakelt het verwarmingselement zichzelf uit, terwijl de motor door blijft lopen en koude lucht blaast
  - wanneer de temperatuur voldoende gedaald is (duurt slechts enkele seconden), wordt het verwarmingselement vanzelf weer ingeschakeld
- ! **wanneer de machine wordt uitgeschakeld nadat deze is gebruikt in hoge temperatuurstand en vervolgens na een korte pauze opnieuw wordt gebruikt, kan het enige tijd duren voordat het verwarmingselement de gewenste temperatuur bereikt**

## TOEPASSINGSADVIES

- Verwijderen van verf/lak ⑩
  - gebruik een schone, scherpe verkraabber
  - krab stevig, als de verf zachter wordt
  - probeer zelf uit hoe lang de verf verwarmd moet worden om de beste resultaten te verkrijgen
  - krab zacht geworden verf onmiddellijk af, voordat deze weer hard wordt
  - houd een hoek van 30° tot 40° aan tussen de machine en het werkstuk
  - verwijder verf en vuil op de kraabber meteen, om ontbranding ervan te voorkomen
  - krab, waar mogelijk, met de houtnerf mee
  - richt de hete luchtstroom niet te lang op één plaats
  - gooi de oude verf op een veilige manier weg
  - maak de werkomgeving na beëindiging van de werkzaamheden grondig schoon
- ! **wees voorzichtig met het verwijderen van verflagen in oude gebouwen; in het verleden kan het gebouw geschilderd zijn met verf op basis van lood, hetgeen uiterst giftig is**

- ! **blootstelling aan zelfs de kleinste hoeveelheid lood kan leiden tot ernstige hersen- en zenuwaandoeningen; vooral kinderen en zwangere vrouwen zijn uiterst kwetsbaar**
- ! **laat verf op basis van lood door een vakkundig persoon en zonder heteluchtpistool verwijderen**

### ANDERE TOEPASSINGSMOGELIJKHEID:

- ★ verwijderen van (synthetische) muurbedekking
- Verwijderen van verf/lak van raamkozijnen ⑪
  - gebruik **altijd** glasbeschermingsmondstuk G bij werkzaamheden in de buurt van glas
  - verwijder de verf met een handkraabber
- ! **gebruik de machine niet bij metalen raamkozijnen; metaal is warmtegeleidend waardoor glas kan breken**
- Verwijderen van stickers (gebruik het platte mondstuk H ⑫)
  - veel lijmsorten worden zacht bij verwarmen; verbindingen kunnen dan worden losgetrokken en de overtollige lijm kan worden verwijderd
- ! **verwarm sticker aan bovenkant**
- ! **zorg er altijd voor dat de onderliggende oppervlakte niet oververhit raakt**
- ANDERE TOEPASSINGSMOGELIJKHEDEN:
  - ★ verwijderen van linoleum- en vinyl-vloerbedekking
  - ★ verwijderen van vloertegels gemaakt van synthetische vezels
  - ★ verwijderen van fineerlagen/aanbrengen van fineerstrips
  - ★ week/vloeibaar maken van teer, tin, bitumen, was (gebruik plat mondstuk H)
  - ★ aanbrengen en verwijderen van was (ski's, meubilair) (gebruik plat mondstuk H) ⑬
  - ★ verwijderen van hars
  - ★ losmaken van roestige/te strak aangedraaide schroeven, moeren en bouten
  - ★ verwijderen van kaarsvet (**onderliggend oppervlak niet oververhitten**)
  - ★ repareren van gebroken kaarsen/in originele staat terugbrengen van verbogen kaarsen
- Krimpen ⑭
  - gebruik reflectormondstuk J of reduceermondstuk K
  - neem een krimpkous, waarvan de doorsnede past bij het werkstuk
  - verwarm de krimpkous gelijkmatig
- ANDERE TOEPASSINGSMOGELIJKHEID:
  - ★ aanbrengen van krimppakkingen
- Solderen van waterleidingbuizen ⑮  
Deze machine is uitermate geschikt voor het werken met zachte soldeer (smeltpunt lager dan 400°C)
  - gebruik reflektormondstuk J
  - maak de beide verbindinguiteinden zorgvuldig schoon vóór het solderen
  - verhit beide uiteinden en voeg soldeerdraad toe (**geen soldeerdraad op basis van lood gebruiken**)
- Ontdooien van bevroren waterleidingbuizen ⑯
  - gebruik reflektormondstuk J
  - verwarm de bevroren plek gelijkmatig
- ! **waterleidingbuizen zijn uiterlijk vaak niet te onderscheiden van gasleidingbuizen; het verwarmen van gasleidingbuizen is levensgevaarlijk – explosiegevaar**

#### ANDERE TOEPASSINGSMOGELIJKHEDEN:

- ★ ontdooien van waterleidingbuizen gemaakt van PVC (**positie I, max. 60°C**)
- ★ ontdooien van bevoren autosloten (**positie I, max. 60°C**) (gebruik reduceermondstuk K)
- ★ ontdooien van diepvriezers (**beschadig het kunststof niet**)
- ★ ontdooien van beijzeldde trappen en stoepen
- Vervormen van kunststof buizen
  - gebruik reflektormondstuk J
  - vul de buis met zand en sluit de buis aan beide kanten af, om te verhinderen dat deze omknikt
  - verwarm de buis regelmatig door deze heen en weer te bewegen

#### ANDERE TOEPASSINGSMOGELIJKHEDEN:

- ★ vervormen van alle kunststoffen met een laag smeltpunt (polyethyleen, PVC etc.)
- ★ vervormen van alle kunststoffen met een hoog smeltpunt (acryl- en plexiglas etc.)
- ★ vervormen en buigen van vloertegels gemaakt van synthetische vezels
- ★ vervormen en buigen van hout (modelbouw)
- Lassen van kunststof
  - de lasnaad moet schoon en vetvrij zijn
  - verwarm de lasnaad tot de lasdraad, die je erbij houdt, vloeibaar wordt
  - verwijder hittebron, als lasnaad is volgevoerd

#### ANDERE TOEPASSINGSMOGELIJKHEDEN:

- ★ repareren van surfplanken, ski's en andere synthetische sportartikelen (gebruik plat mondstuk H)
- ★ lassen van PVC-materiaal
- ★ gladstrijken van blazen na het lassen van PVC-materiaal
- ★ maken van tuinslangverbindingen (gebruik reflectormondstuk J)
- Drogen
  - ! **droog alleen met de lage of middelste temperatuurstand (positie 1 of 2) en met een grotere afstand tussen de machine en het werkstuk**
  - drogen van verf, vernis, gips, specie en pleister
  - drogen van vochtig hout vóór het plamuren
  - snel drogen van dik opgebrachte plamuur- en lijmsorten
  - drogen van voegen vóór het aanbrengen van isolatie-en afdichtmateriaal
  - drogen van voegen en naden in de botenbouw
- Schoonmaken/desinfecteren
  - desinfecteren van konijnenhokken, duiventillen, enz. (**verwijder eerst uw huisdier**)
  - bestrijden van mierennesten
  - bestrijden van houtwormen en boktorren (**houd de machine op een gepaste afstand van het hout**)
  - verwijderen van onkruid

## ONDERHOUD / SERVICE

- Deze machine is niet bedoeld voor professioneel gebruik
- Houd machine en snoer altijd schoon (met name de ventilatie-openingen F ②)
- Gebruik nooit licht ontvlambare vloeistoffen bij het schoonmaken van de machine in het algemeen en het (opzet)mondstuk in het bijzonder

- Mocht het elektrische gereedschap ondanks zorgvuldige fabricage- en testmethoden toch defect raken, dient de reparatie te worden uitgevoerd door een erkende klantenservice voor SKIL elektrische gereedschappen
  - stuur de machine **ongedemonteerd**, samen met het aankoopbewijs, naar het verkoopadres of het dichtstbijzijnde SKIL service-station (de adressen evenals de onderdeelentekening van de machine vindt u op [www.skil.com](http://www.skil.com))

## MILIEU

- **Geef electrisch gereedschap, accessoires en verpakkingen niet met het huisvuil mee** (alleen voor EU-landen)
  - volgens de Europese richtlijn 2012/19/EG inzake oude elektrische en elektronische apparaten en de toepassing daarvan binnen de nationale wetgeving, dient afgedankt electrisch gereedschap gescheiden te worden ingezameld en te worden afgevoerd naar een recycle-bedrijf, dat voldoet aan de geldende milieu-eisen
  - symbool ⑰ zal u in het afdankstadium hieraan herinneren

## CONFORMITEITSVERKLARING CE

- Wij verklaren als alleen verantwoordelijke, dat het onder "Technische gegevens" beschreven product voldoet aan de volgende normen of normatieve documenten: EN 60335, EN 61000, EN 55014, overeenkomstig de bepalingen van de richtlijnen 2006/95/EG, 2004/108/EG, 2011/65/EU
- **Technisch dossier bij:** SKIL Europe BV (PT-SEU/ENG1), 4825 BD Breda, NL

Marijn van der Hoofden  
Operations & Engineering

Olaf Dijkgraaf  
Approval Manager

SKIL Europe BV, 4825 BD Breda, NL

03.09.2014

CE11

S

## Värmepistol

8004

## INTRODUKTION

- Denna maskin är avsedd för att ta bort färg, forma och svetsa plast och värma krympplast; den lämpar sig också för att lösa och förtenna, lossa limmade fogar och tina frysta vattenrör
- Det här verktyget är inte avsedd för yrkesmässig användning
- Läs och spara denna instruktionsbok ③

## TEKNISKA DATA ①

## VERKTYGSELEMENT ②

- A Till/från strömbrytare
- B Knappar för temperaturinställning
- C Knappar för inställning av luftflödet
- D Ruta (LCD)
- E Skyddsring
- F Ventilationsöppningar
- G Glasskyddsmunstycke
- H Platt munstycke
- J Reflektormunstycke
- K Reduktionsmunstycke
- L Luftutsläpp/munstycke
- M Upphängningsring

## SÄKERHET

### ALLMÄNNA SÄKERHETSANVISNINGAR

**⚠ OBS! Läs noga igenom alla anvisningar.** Fel som uppstår till följd av att anvisningarna nedan inte följts kan orsaka elstöt, brand och/eller allvarliga kroppsskador.

**Förvara alla varningar och anvisningar för framtida bruk.** Nedan använt begrepp "elverktyg" hänför sig till nätdrivna elverktyg (med nätsladd) och till batteridrivna elverktyg (sladdlösa).

#### 1) ARBETSPLATSSÄKERHET

- a) **Håll arbetsplatsen ren och välbelyst.** Oordning på arbetsplatsen eller dåligt belyst arbetsområde kan leda till olyckor.
- b) **Använd inte elverktyget i explosionsfarlig omgivning med brännbara vätskor, gaser eller damm.** Elverktygen alstrar gnistor som kan antända dammet eller gaserna.
- c) **Håll under arbetet med elverktyget barn och obehöriga personer på betryggande avstånd.** Om du störs av obehöriga personer kan du förlora kontrollen över elverktyget.

#### 2) ELEKTRISK SÄKERHET

- a) **Elverktygets stickpropp måste passa till vägguttaget. Stickproppen får absolut inte förändras. Använd inte adapterkontakter tillsammans med skyddsjordade elverktyg.** Oförändrade stickproppar och passande vägguttag reducerar risken för elektriskt slag.
- b) **Undvik kroppskontakt med jordade ytor som t. ex. rör, värmeelement, spisar och kylskåp.** Det finns en större risk för elektriskt slag om din kropp är jordad.
- c) **Skydda elverktyget mot regn och väta.** Tränger vatten in i ett elverktyg ökar risken för elektriskt slag.
- d) **Missbruka inte nätsladden och använd den inte för att bära eller hänga upp elverktyget och inte heller för att dra stickproppen ur vägguttaget. Håll nätsladden på avstånd från värme, olja, skarpa kanter och rörliga maskindelar.** Skadade eller tilltrasslade ledningar ökar risken för elektriskt slag.
- e) **När du arbetar med ett elverktyg utomhus använd endast förlängningssladdar som är godkända för utomhusbruk.** Om en lämplig förlängningssladd för utomhusbruk används minskar risken för elektriskt slag.
- f) **Använd en jordfelsbrytare om det inte är möjligt att undvika elverktygets användning i fuktig miljö.**

Genom att använda en jordfelsbrytare minskas risken för elstöt.

#### 3) PERSONSÄKERHET

- a) **Var uppmärksam, kontrollera vad du gör och använd elverktyget med förnuft. Använd inte elverktyget när du är trött eller om du är påverkad av droger, alkohol eller mediciner.** Under användning av elverktyg kan även en kort uppmärksamhet leda till allvarliga kroppsskador.
  - b) **Bär alltid personlig skyddsutrustning och skyddsglasögon.** Användning av personlig skyddsutrustning som t. ex. dammfiltermask, halkfria säkerhetsskor, skyddshjälm och hörselskydd reducerar alltefter elverktygets typ och användning risken för kroppsskada.
  - c) **Undvik oavsiktlig igångsättning. Kontrollera att elverktyget är fränkopplat innan du ansluter stickproppen till vägguttaget och/eller ansluter/tar bort batteriet, tar upp eller bär elverktyget.** Om du bär elverktyget med fingret på strömställaren eller ansluter påkopplat elverktyg till nätströmmen kan olycka uppstå.
  - d) **Ta bort alla inställningsverktyg och skruvnycklar innan du kopplar på elverktyget.** Ett verktyg eller en nyckel i en roterande komponent kan medföra kroppsskada.
  - e) **Överskatta inte din förmåga. Se till att du står stadigt och håller balansen.** I detta fall kan du lättare kontrollera elverktyget i oväntade situationer.
  - f) **Bär lämpliga kläder. Bär inte löst hängande kläder eller smycken. Håll håret, kläderna och handskarna på avstånd från rörliga delar.** Löst hängande kläder, smycken och långt hår kan dras in av roterande delar.
  - g) **Vid elverktyg med dammsugnings- och -uppsamlingsutrustning kontrollera att anordningarna är rätt monterade och används på korrekt sätt.** Användning av dammsugning minskar de risker damm orsakar.
- #### 4) OMSORGSFULL HANTERING OCH ANVÄNDNING AV ELVERKTYG
- a) **Överbelasta inte elverktyget. Använd för aktuellt arbete avsett elverktyg.** Med ett lämpligt elverktyg kan du arbeta bättre och säkrare inom angivet effektområde.
  - b) **Ett elverktyg med defekt strömställare får inte längre användas.** Ett elverktyg som inte kan kopplas in eller ur är farligt och måste repareras.
  - c) **Dra stickproppen ur vägguttaget och/eller ta bort batteriet innan inställningar utförs, tillbehörsdelar byts ut eller elverktyget lagras.** Denna skyddsåtgärd förhindrar oavsiktlig inkoppling av elverktyget.
  - d) **Förvara elverktygen oåtkomliga för barn. Låt elverktyget inte användas av personer som inte är förtrogna med dess användning eller inte läst denna anvisning.** Elverktygen är farliga om de används av oerfarna personer.
  - e) **Sköt elverktyget omsorgsfullt. Kontrollera att rörliga komponenter fungerar felfritt och inte kärvar, att komponenter inte brustit eller skadats; orsaker som kan leda till att elverktygets funktioner påverkas menligt. Låt skadade delar repareras innan elverktyget återanvänds.** Många olyckor orsakas av dåligt skötta elverktyg.

- f) **Håll skärverktygen skarpa och rena.** Omsorgsfullt skötta skärverktyg med skarpa eggjar kommer inte så lätt i kläm och går lättare att styra.
- g) **Använd elverktyget, tillbehör, insatsverktyg osv. enligt dessa anvisningar. Ta hänsyn till arbetsvillkoren och arbetsmomenten.** Används elverktyget på icke ändamålsenligt sätt kan farliga situationer uppstå.

## 5) SERVICE

- a) **Låt elverktyget repareras endast av kvalificerad fackpersonal och med originalreservdelar.** Detta garanterar att elverktygets säkerhet upprätthålls.

## SÄKERHETSANVISNINGAR FÖR VÄRMEPISTOLER

### FÖRE ANVÄNDNINGEN:

- Kontrollera före användningen att maskinen fungerar ordentligt; eventuella skador måste repareras av en kvalificerad tekniker; öppna aldrig maskinen själv
- Inspektera sladden och kontakten på maskinen före varje användningstillfälle; om de är skadade måste de bytas av en kvalificerad tekniker
- Använd helt uttrullade och säkra förlängningssladdar med kapacitet på 16 A
- Inspektera förlängningssladden med jämna mellanrum och byt den om den är skadad
- Använd maskinen och dess tillbehör enligt denna bruksanvisning och på avsett sätt; om den används för andra ändamål än de avsedda kan det leda till en risksituation
- Den här maskinen ska inte användas av personer under 16 år
- Denna maskin får inte användas av barn eller personer med ett förståndshandikapp eller på annat sätt medsett förmåga, såvida denna inte sker med överinseende av en vuxen person som ansvarar för personsäkerheten
- Kontrollera alltid att den tillförda strömtypen stämmer med spänningen som anges på maskinens märkplåt
- Se till att maskinen är avstängt innan du sätter in kontakten

### UNDER ANVÄNDNINGEN:

- **Hantera maskinen med försiktighet; förebygg eldsvåda och brännskador**
  - vidrör inte luftutsläppet/munstycket och det värmda föremålet; de blir mycket varma
  - håll inte luftutsläppet/munstycket för nära det du arbetar med
  - rikta inte det varma luftflödet mot samma ställe för länge
  - titta aldrig ner i luftutsläppet/munstycket
  - använd skyddshandskar och skyddsglasögon
  - rikta aldrig den varma luftströmmen mot personer eller djur
  - använd aldrig maskinen för att torka håret
  - lämna aldrig maskinen obevakad
  - använd aldrig maskinen i närheten av antändliga gaser eller brännbart material (**explosionsrisk**)
  - vid arbete med plast, färg, fernissa och liknande material kan det hända att antändliga och giftiga gaser avges; informera dig på förhand om materialet som du skall arbeta med
  - tänk på att värme kan överföras till antändliga material utanför ditt synfält

- ha för säkerhets skull en hink vatten eller en eldsläckare till hands om något material skulle ta eld
- **Förhindra elektrisk stöt**
  - stoppa aldrig ner något i luftutsläppet/munstycket
  - undvik kroppskontakt med jordade föremål (t.ex. rör, element, spisar, kylskåp)
  - se till att maskinen inte blir våt
  - använd inte maskinen på fuktiga ställen
  - om maskinen används utomhus skall den vara ansluten till en jordfelsbrytare (FI) på högst 30 mA; använd bara en förlängningssladd avsedd för utomhusbruk och utrustad med en stänkskyddad kontakt
- **Hantera sladden med försiktighet**
  - håll alltid sladden borta från den varma luftströmmen och luftutsläppet/munstycket
  - håll sladden på avstånd från värme, olja och vassa kanter
  - bär inte maskinen i sladden och ryck inte i sladden för att dra ut den ur uttaget
  - häng inte maskinen i sladden
- Använd aldrig maskinen tillsammans med kemiska lösningsmedel
- Se till att arbetsområdet är ordentligt ventilerat
- Håll arbetsområdet rent och väl belyst
- Håll barn borta från arbetsområdet
- Barn får inte använda maskinen som leksak
- Inkopplingsförlöppen orsakar korta spänningssänkningar; vid oegynnsamma nätförutsättningar kan dessa menligt påverka andra maskiner (vid nätimpedanser under 0,127 + j0,079 ohm behöver inte störningar befaras); i fall ni önskar ytterligare klargörande, var vänlig kontakta er lokala elleverantör myndighet
- Var uppmärksam; tänk på vad du gör, använd sunt förstånd och använd inte maskinen när du är trött
- Stå stadigt; luta dig inte för långt, särskilt på stegar och arbetsställningar
- Se till att maskinen är avstängd innan du ställer undan den
- I händelse av onormala elektriska eller mekaniska störningar, stäng genast av maskinen och dra ur stickkontakten

### EFTER ANVÄNDNINGEN:

- Koppla av maskinen och dra ut kontakten
- **Låt maskinen svalna i minst 30 minuter innan du förvarer den**
- Häng upp maskinen på upphängningsringen M ② eller ställ den upprätt på bakkanten; se till att det inte finns något brännbart material eller några antändliga gaser i närheten
- Förvara/lämna aldrig maskinen utomhus
- Förvara maskinen på torrt ställe utom räckhåll för barn

## ANVÄNDNING

- På/av-knapp med 2 temperaturinställningar ④
- ! **kontrollera att knapp A står i läget "0" innan du sätter i kontakten**
  - koppla på maskinen genom att ställa knapp A i önskat läge:
    - I = 50°C + luftflöde 250-500 liter/minut
    - II = 50°C ... 650°C, luftflöde 250-500 liter/minut

- när maskinen används för första gången kan det hända att den avger litet rök; det är normalt och upphör efter en stund
- koppla av maskinen genom att ställa knapp A i läget "0"
- Temperaturinställning ⑤
  - ställ in önskad måltemperatur i steg på 10°C med korta tryck på knapparna B
  - om du håller knapparna B intryckta, fortsätter måltemperaturen att höjas/sänkas tills du släpper knappen eller minimi-/maximitemperaturen har nåtts
  - när måltemperaturen har ställts in, visar displayen D den verkliga stigande/sjunkande temperaturen tills den önskade temperaturen har nåtts (endast i läget "II")
  - måltemperaturen lagras i verktygets minne, så att det värms upp till den senast inställda måltemperaturen varje gång den kopplas in
- Inställning av luftflödet ⑥
  - ställ in önskat luftflöde i steg om 50 l/min med korta tryck på knapparna C
  - på displayen D visas den aktuella luftflödesinställningen i ett stapeldiagram
- Allmän användning
  - bestäm lämplig temperatur genom att prova på ett mindre synligt ställe på arbetsstycket; börja på låg inställning
  - temperaturen sjunker när avståndet mellan luftutsläppet/munstycket och arbetsstycket ökar
  - lämplig temperatur beror på vilket material som skall bearbetas

- Användning i stationärt läge ⑦
  - ställ maskinen upprätt på bakkanten
  - se till att ytorna är rena och dammfria; förorenad luft skadar motorn
  - se till att luftflödet är riktat från dig.
  - fåst sladden så att den inte kan dra ner maskinen
  - vidrör inte luftutsläppet/munstycket
  - se till att ingenting kan ramlar ner i luftutsläppet/munstycket
  - håll maskinen försiktigt med en hand och stäng av den med den andra; låt den sedan kallna
- Användning på svåråtkomliga ställen
  - tag bort ring E ② så att luftutsläppet av metall sprider luften över ett bredare område
  - ! var medveten om den större risken för eldsvåda och brännskador**
- Fattning och styrning av maskinen ⑧
  - håll maskinen med ena handen
  - håll ventilationsöppningarna F ② ej övertäckta
- Standardtillbehör ②
  - deflektormunstycke G (för att skydda glasrutan för luftflödet)
  - platt munstycke H (för att bredda luftflödet)
  - reflektormunstycke J (för att återkasta luftflödet)
  - reducermunstycke K (för att koncentrera luftflödet)

#### ANMÄRKNINGAR:

- alla arbeten (**utom att ta bort färg från fönsterramar**) kan utföras utan tillbehör, men med ett lämpligt tillbehör blir arbetet enklare och kvaliteten på resultatet betydligt bättre

- det här verktyget kan även användas tillsammans med BOSCH-tillbehör och andra vanliga tillbehör för värmepistoler
- Montera/demontera tillbehör
  - sätt helt enkelt tillbehöret på luftutsläppet L ②
  - tag bort tillbehöret genom att dra av det från framsidan sedan det har svaltat
  - ! sätt bara på tillbehör när luftutsläppet är kallt, knappen i läget "0" och kontakten urdragen**
- Upphållningsring M ③
  - för bekväm förvaring av verktyget
  - ! låt maskinen svalna i minst 30 minuter innan du förvarer den**
- Konstant värmekontroll(överbelastningsskydd)
  - Skyddar värmeelementet så det inte tar skada när maskinen överbelastas utan att du behöver stanna den och/eller vänta tills det kallnat
  - när temperaturen blir för hög stänger värmeelementet av sig automatiskt; motorn fortsätter att gå och kall luft blåses ut
  - när temperaturen har sjunkit tillräckligt (tar bara ett par sekunder), kommer värmeelementet på igen automatiskt
  - ! när verktyget stängs av efter att ha arbetat med en hög temperaturinställning och startas igen efter en kort paus kan det ta lite tid innan uppvärmningselementet uppnår önskad temperatur**

## ANVÄNDNINGSTIPS

- Avlägsna färg/lack ⑩
  - använd ett rent vasst skrapverktyg
  - skrapa kraftigt när färgen mjuknar
  - pröva dig fram med hur länge du behöver värma för bäst resultat
  - skrapa av färgen så fort som den mjuknar, annars hårdnar den igen
  - håll en 30° - 40° vinkel mellan maskinen och arbetsstycket
  - avlägsna färg och skräp omedelbart från skrapverktyget så att det inte tar eld
  - skrapa närhelst möjligt utefter träets ådring
  - rikta inte det varma luftflödet mot samma ställe för länge
  - gör av med all bortskrapad färg på säkert sätt
  - gör rent arbetsområdet noggrant när du är klar
  - ! var försiktig när du tar bort färg i gamla hus; förr i tiden användes ibland färg som innehåller bly, vilket är mycket giftigt**
  - ! även låga koncentrationer av bly kan orsaka allvarliga skador på hjärnan och nervsystemet; små barn och foster är särskilt utsatta**
  - ! överlämna till en hantverkare att ta bort blybaserad färg utan användning av värmepistol**
- ANNAT ANVÄNDNINGSSOMRÅDE:
  - ★ avlägsna (syntetisk) väggbeklädnad
- Avlägsna färg/lack från fönsterramar ⑪
  - använd **alltid** ett deflektormunstycke G när du arbetar intill glasrutor
  - tag bort färgen med ett handskrapverktyg

**! använd inte maskinen för att ta bort färg från fönsterramar av metall; metall leder värme och kan få fönsterrutan att gå sönder**

- Ta bort klistermärken (använd platt munstycke H) ⑫
  - många klister typer blir mjukare när de värms; då kan vidhäftningslagren skiljas åt, och därefter kan kvarblivet lim tas bort

**! varm klistermärket på översidan**

**! var alltid försiktig så att ytan under inte värms för mycket**

ANDRA ANVÄNDNINGSSOMRÅDEN:

- ★ avlägsna linoleum- och vinylgolv
- ★ avlägsna mattplattor av syntetfiber
- ★ avlägsna fennissa/lägga på ränder av fennissa
- ★ mjuka upp/smälta tjära, tenn, beck, stearin (använd platt munstycke H)
- ★ vax/valla (skidor, möbler) (använd platt munstycke H) ⑬
- ★ avlägsna harts
- ★ lossa rost/fört hårt åtdragna metallskruvar, muttrar och bultar
- ★ avlägsna stearin (**varm inte ytan under för mycket**)
- ★ reparera brutna ljus/återställa böjda stearinljus till ursprunglig form

- Krympplast ⑭

- använd reflektormunstycke J eller reducermunstycke K

- välj ett krympplaströr med en diameter som passar arbetsstycket

- varm klympplasten jämnt

ANNAT ANVÄNDNINGSSOMRÅDE:

★ krympförpackning

- Löda vattenrör ⑮

denna maskin lämpar sig bäst för arbete med mjukt lödtenn (smältpunkt under 400°)

- använd reflektormunstycke J

- gör noga rent båda arbetsstyckena innan du börjar löda

- förvärm de båda styckena och lägg på lödtråd (**använd inte blybaserad lödtråd**)

- Tina frysta vattenrör ⑯

- använd reflektormunstycke J

- varm det frysta området jämnt

**! det är ofta svårt att skilja vattenrör från gasrör; gasrör är mycket farligt att värma - explosionsrisk**

ANDRA ANVÄNDNINGSSOMRÅDEN:

★ tina vattenrör av PVC (**position I, max. 60°C**)

★ tina frysta billås (**position I, max. 60°C**) (använd reducermunstycke K)

★ tina frysboxar och frysskåp (**skada inte plasten**)

★ tina is på trappor och trottoarer

- Forma plaströr

- använd reflektormunstycke J

- fyll röret med sand och tätta det i båda ändarna för att undvika att röret knäcks

- varm röret jämnt genom att flytta det fram och tillbaka

ANDRA ANVÄNDNINGSSOMRÅDEN:

★ forma alla typer av plast med låg smältpunkt (polyeten, PVC etc.)

★ forma alla typer av plast med hög smältpunkt (akrylglas, Plexiglas etc.)

★ forma och böja mattplattor av syntetfiber

★ forma och böja trä (modellbygge)

- Svetsa plast

- svetsfogen måste vara ren och fettfri

- håll svetsröden intill svetsömmen och varm tills den blir klubbig

- tag bort värmen när svetsfogen är ifylld

ANDRA ANVÄNDNINGSSOMRÅDEN:

★ reparera surfbräden, skidor och andra sportredskap av plast (använd platt munstycke H)

★ svetsa PVC-material

★ jämna ut blåsor på klistrade etiketter av PVC

★ ansluta trädgårdsslangar (använd reflektormunstycke J)

- Torika

**! torika bara på låg eller medium temperaturinställning (position 1 eller 2) och med större avstånd mellan maskinen och arbetsstycket**

- torika färg, fennissa, gips, murbruk och pust

- torika fuktigt trä före spackling

- snabbtorika tjockt spackel eller lim

- torika byggnadfogar innan isolations- eller

tätningmaterial sprutas på

- torika fogar och sprickor vid båtbygge

- Göra rent/desinficera

- desinficera kaninburar, duvslag etc. (ta ut djuren först)

- bekämpa myrkolonier

- bekämpa trämask och husbock (håll maskinen på säkert avstånd från träet)

- bekämpa ogräs

## UNDERHÅLL / SERVICE

- Det här verktyget är inte avsedd för yrkesmässig användning
- Håll alltid din maskin och sladden ren (speciellt ventilationsöppningarna F ②)
- Använd aldrig lättantändliga vätskor för att göra ren värmepistolen, särskilt inte luftutsläppet/munstycket
- Om i elverktyget trots exakt tillverkning och sträng kontroll störning skulle uppstå, bör reparation utföras av auktoriserad serviceverkstad för SKIL elverktyg
  - sänd in verktyget i **odemonterat skick** tillsammans med inköpsbevis till försäljaren eller till närmaste SKIL serviceverkstad (adresser till servicestationer och sprängskisser av maskiner finns på [www.skil.com](http://www.skil.com))

## MILJÖ

- **Elektriska verktyg, tillbehör och förpackning får inte kastas i hushållssoporna** (gäller endast EU-länder)
  - enligt direktivet 2012/19/EG som avser äldre elektrisk och elektronisk utrustning och dess tillämpning enligt nationell lagstiftning ska uttjänta elektriska verktyg sorteras separat och lämnas till miljövänlig återvinning
  - symbolen ⑰ kommer att påminna om detta när det är tid att kassera



# FÖRSÄKRAN OM ÖVERENSSTÄMMELSE CE

- Vi försäkrar härmed under exklusivt ansvar att denna produkt som beskrivs i "Tekniska data" överensstämmer med följande normer eller normativa dokument: EN 60335, EN 61000, EN 55014, enligt bestämmelserna i direktiven 2006/95/EG, 2004/108/EG, 2011/65/EU
- **Teknisk tillverkningsdokumentation finns hos:** SKIL Europe BV (PT-SEU/ENG1), 4825 BD Breda, NL

Marijn van der Hoofden  
Operations & Engineering

Olaf Dijkgraaf  
Approval Manager

SKIL Europe BV, 4825 BD Breda, NL

03.09.2014

CE11

DK

## Varmluftpistol

8004

### INLEDNING

- Dette værktøj er beregnet til fjernelse af maling, formning og svejsning af plastic, og opvarmning af varmekrymperør; værktøjet er også egnet til lodning og fortinning, løsning af klæbesamlinger og optøning af frosne vandrør
- Dette værktøj er ikke beregnet til professionelt brug
- Læs og gem denne betjeningsvejledning ③

### TEKNISKE DATA ①

### VÆRKTØJETS DELE ②

- A Tænd/sluk afbryder
- B Knapper til indstilling af temperaturen
- C Knapper til indstilling af luftstrøm
- D Display (LCD)
- E Beskyttelsesring
- F Ventilationshuller
- G Glasbeskyttelsesdyse
- H Fladdyse
- J Reflektordyse
- K Reduktionsdyse
- L Luftudgang/dyse
- M Ophængningsring

### SIKKERHED

#### GENERALE SIKKERHEDSINSTRUKSER

**⚠ VIGTIGT!** Læs alle advarselshenvisninger og instrukser. I tilfælde af manglende overholdelse af advarselshenvisningerne og instrukserne er der risiko for elektrisk stød, brand og/eller alvorlige kvæstelser. **Opbevar alle advarselshenvisninger og instrukser til senere brug.** Det i advarselshenvisningerne benyttede begreb "el

værktøj" refererer til netdrevet el værktøj (med netkabel) og akkudrevet el værktøj (uden netkabel).

#### 1) SIKKERHED PÅ ARBEJDSPLADSEN

- a) **Sørg for, at arbejdsområdet er rent og ryddeligt.** Uorden eller uoplyste arbejdsområder øger faren for uheld.
- b) **Brug ikke maskinen i eksplosionstruede omgivelser, hvor der er brændbare væsker, gasser eller støv.** El-værktøj kan slå gnister, der kan antænde støv eller dampe.
- c) **Sørg for, at andre personer og ikke mindst børn holdes væk fra arbejdsområdet, når maskinen er i brug.** Hvis man distraheres, kan man miste kontrollen over maskinen.

#### 2) ELEKTRISK SIKKERHED

- a) **Maskinens stik skal passe til kontakten. Stikket må under ingen omstændigheder ændres. Brug ikke adapterstik sammen med jordforbundne maskiner.** Uændrede stik, der passer til kontakterne, nedsætter risikoen for elektrisk stød.
- b) **Undgå kropskontakt med jordforbundne overflader som f.eks. rør, radiatorer, komfurer og køleskabe.** Hvis din krop er jordforbundet, øges risikoen for elektrisk stød.
- c) **Maskinen må ikke udsættes for regn eller fugt.** Indtrængning af vand i maskinen øger risikoen for elektrisk stød.
- d) **Brug ikke ledningen til formål, den ikke er beregnet til (f.eks. må man aldrig bære maskinen i ledningen, hænge maskinen op i ledningen eller rykke i ledningen for at trække stikket ud af kontakten). Beskyt ledningen mod varme, olie, skarpe kanter eller maskindele, der er i bevægelse.** Beskadigede eller udviklede ledninger øger risikoen for elektrisk stød.
- e) **Hvis maskinen benyttes i det fri, må der kun benyttes en forlængerledning, der er godkendt til udendørs brug.** Brug af forlængerledning til udendørs brug nedsætter risikoen for elektrisk stød.
- f) **Hvis det ikke kan undgås at bruge maskinen i fugtige omgivelser, skal der bruges et HFI-relæ.** Brug af et HFI-relæ reducerer risikoen for at få elektrisk stød.

#### 3) PERSONLIG SIKKERHED

- a) **Det er vigtigt at være opmærksom, se, hvad man laver, og bruge maskinen fornuftigt. Man bør ikke bruge maskinen, hvis man er træt, har nydt alkohol eller er påvirket af medicin eller euforiserende stoffer.** Få sekunders uopmærksomhed ved brug af maskinen kan føre til alvorlige personskader.
- b) **Brug beskyttelsesudstyr og hav altid beskyttelsesbriller på.** Brug af sikkerhedsudstyr som f.eks. støvmaske, skridsikkert fodtøj, beskyttelseshjelm eller høreværn afhængig af maskintype og anvendelse nedsætter risikoen for personskader.
- c) **Undgå utilsigtet igangsætning. Kontrollér, at el værktøjet er slukket, før du tilslutter det til strømtilførslen og/eller akkuen, løfter eller bærer det.** Undgå at bære el værktøjet med fingeren på afbryderen og sørg for, at el værktøjet ikke er tændt, når det sluttes til nettet, da dette øger risikoen for personskader.

- d) **Fjern indstillingsværktøj eller skruenøgle, inden maskinen tændes.** Hvis et stykke værktøj eller en nøgle sidder i en roterende maskindel, er der risiko for personskader.
- e) **Overvurder ikke dig selv. Sørg for at stå sikkert, mens der arbejdes, og kom ikke ud af balance.** Det er derved nemmere at kontrollere maskinen, hvis der skulle opstå uventede situationer.
- f) **Brug egnet arbejdstøj. Undgå løse beklædningsgenstande eller smykker. Hold hår, tøj og handsker væk fra dele, der bevæger sig.** Dele, der er i bevægelse, kan gribe fat i løstsiddende tøj, smykker eller langt hår.
- g) **Hvis støvudsugnings- og opsamlingsudstyr kan monteres, er det vigtigt, at dette tilsluttes og benyttes korrekt.** Brug af en støvopsugning nedsætter risikoen for personskader som følge af støv.
- 4) OMHYGGE LIG OMGANG MED OG BRUG AF EL-VÆRKTØJ**
- a) **Undgå overbelastning af maskinen. Brug altid en maskine, der er beregnet til det stykke arbejde, der skal udføres.** Med den rigtige maskine arbejder man bedst og mest sikkert inden for det angivne effektområde.
- b) **Brug ikke en maskine, hvis afbryder er defekt.** En maskine, der ikke kan startes og stoppes, er farlig og skal repareres.
- c) **Træk stikket ud af stikkontakten og/eller fjern akkuen, inden maskinen indstilles, der skiftes tilbehørsdele, eller maskinen lægges fra.** Disse sikkerhedsforanstaltninger forhindrer utilsigtet start af maskinen.
- d) **Opbevar ubenyttet el-værktøj uden for børns rækkevidde. Lad aldrig personer, der ikke er fortrolige med maskinen eller ikke har gennemlæst disse instrukser, benytte maskinen.** El-værktøj er farligt, hvis det benyttes af ukyndige personer.
- e) **Maskinen bør vedligeholdes omhyggeligt. Kontroller, om bevægelige dele fungerer korrekt og ikke sidder fast, og om delene er brækket eller beskadiget, således at maskinens funktion påvirkes. Få beskadigede dele repareret, inden maskinen tages i brug.** Mange uheld skyldes dårligt vedligeholdte maskiner.
- f) **Sørg for, at skæreværktøjer er skarpe og rene.** Omhyggeligt vedligeholdte skæreværktøjer med skarpe skærekanter sætter sig ikke så hurtigt fast og er nemmere at føre.
- g) **Brug el-værktøj, tilbehør, indsatsværktøj osv. iht. disse instrukser. Tag hensyn til arbejdsforholdene og det arbejde, der skal udføres.** I tilfælde af anvendelse af værktøjet til formål, som ligger uden for det fastsatte anvendelsesområde, kan der opstå farlige situationer.
- 5) SERVICE**
- a) **Sørg for, at maskinen kun repareres af kvalificerede fagfolk, og at der kun benyttes originale reservedele.** Dermed sikres størst mulig maskinsikkerhed.

## SIKKERHEDSINSTRUKSER FOR VARMLUFTPISTOLE

### INDEN BRUG

- Hver gang værktøjet tages i brug, skal man kontrollere dets funktion, og i tilfælde af en fejl, skal man omgående få værktøjet repareret af en kvalificeret person; man må aldrig selv åbne værktøjet
- Inden brug skal man undersøge værktøjets ledning og stik, og hvis de er beskadigede, skal de udskiftes af en kvalificeret person
- Anvend helt udrullede og sikre forlængerledninger med en kapacitet på 16 A
- Undersøg forlængerledningen med mellemrum og udskift den, hvis den er beskadiget
- Anvend værktøjet og dets tilbehør i henhold til denne brugsanvisning og på den måde, som er beregnet for værktøjet; hvis værktøjet bruges til andre opgaver end dem, som værktøjet normalt er beregnet til at udføre, kan det medføre en farlig situation
- Dette værktøj må ikke bruges af personer under 16 år
- Dette værktøj er ikke beregnet til brug for personer (herunder børn), der har nedsatte fysiske, sensoriske eller mentale evner eller mangel på erfaring og viden, med mindre disse personer er blevet givet instruktion og supervision i brugen af værktøjet fra en person, som er ansvarlig for deres sikkerhed
- Kontrollér altid at forsyningsspændingen er den samme som den spænding, der er anført på værktøjets navneskilt
- Sørg for at der er slukket for værktøjet, når stikket sættes i stikkontakten

### UNDER BRUG:

- **Anvend håndtaget med forsigtighed; undgå brand og forbrændinger**
  - rør ikke ved luftafgangen/dysen og den opvarmede genstand; de bliver meget varme
  - hold ikke luftafgangen/dysen for tæt ved genstanden, der skal arbejdes på
  - ret ikke den varme luftstrøm for længe mod den samme overflade
  - se aldrig ned i luftafgangen/dysen
  - brug beskyttelseshandsker og sikkerhedsbriller
  - ret aldrig luftstrømmen mod personer eller dyr
  - anvend aldrig værktøjet til at tørre hår
  - efterlad aldrig værktøjet uden opsyn
  - anvend aldrig værktøjet i nærheden af brandfarlige gasser eller brændbare materialer (**eksplosionsfar**)
  - når der arbejdes med plastic, maling, lak eller lignende materialer, kan der afgives brandfarlige og giftige gasser; man skal indhente oplysninger om de materialer, der skal arbejdes på, inden man går i gang
  - man skal tænke på, at varmen kan blive overført til brændbare materialer, selv om de ikke er ude af syne
  - for at være på den sikre side, skal man have en spand vand eller en ildslukker i nærheden, i tilfælde af at der skulle gå ild i noget
- **Undgå elektriske stød**
  - stik aldrig noget ned i luftafgangen/dysen
  - undgå kropskontakt med jordforbundne overflader (f.eks. rør, radiatorer, komfurer, køleskabe)
  - pas på at værktøjet ikke bliver vådt
  - anvend ikke værktøjet på fugtige steder

- når værktøjet anvendes udendørs, skal det forbindes via en fejlstrømsafbryder med en triggestrøm på 30 mA maksimum, og man må kun anvende en forlængerledning, som er beregnet til udendørs brug og er udstyret med en stænkbeskyttet koblingsstikkontakt
- **Ledningen skal behandles forsigtigt**
  - hold altid ledningen væk fra den varme luftstrøm og luftafgangen/dysen
  - hold ledningen væk fra varme, olie og skarpe kanter
  - man må ikke bære værktøjet i ledningen og man må ikke rykke i ledningen for at tage stikket ud af stikkontakten
  - man må ikke hænge værktøjet op i ledningen
- Anvend aldrig værktøjet i forbindelse med kemiske opløsningsmidler
- Sørg for at der er god ventilation på arbejdsstedet
- Hold arbejdsstedet rent og godt oplyst
- Hold børn væk fra arbejdsstedet
- Børn må ikke lege med dette værktøj
- Indkoblingsstrømstødet kan forårsage kortfristede spændingsfald; under ugunstige netbetingelser kan andre apparater blive påvirket heraf (hvis strømtilførsels systemimpedans er mindre end  $0,127 + j0,079$  Ohm, er det usandsynligt, at der opstår ulemper); ønsker de yderligere afklaring, kontakt venligst din lokale el leverandør
- Man skal være årvågen, holde øje med hvad man laver og bruge sin sunde fornuft; man må ikke benytte værktøjet, når man er trætt
- Man skal sørge for, at man står godt og sikkert; man må ikke strække sig for langt ud, især ikke på stiger og stilladser
- Sørg for at der er slukket for værktøjet, inden det lægges væk
- I tilfælde af elektrisk eller mekanisk fejlfunktion skal afbryderen straks afbrydes og stikket tages ud af kontakten

#### EFTER BRUG:

- Sluk for værktøjet og tag stikket ud af stikkontakten
- **Lad værktøjet køle ned i mindst 30 minutter, før det opbevares**
- Hæng værktøjet op i hængeringen M ② eller stil det på bagenden i lodret stilling; når man gør dette, skal man sørge for, at der ikke er nogen brændbare materialer eller brandfarlige gasser i nærheden
- Opbevar/efterlad aldrig værktøjet udendørs
- Opbevar værktøjet på et tørt, aflåst sted, utilgængeligt for børn

## BETJENING

- Tænd/sluk-kontakt med 2 temperaturindstillinger ④
- ! **kontrollér om kontakten A er i stilling "0", før stikket sættes i stikkontakten**
- tænd for værktøjet ved at sætte kontakten A på den ønskede stilling:
  - I = 50°C + luftstrøm 250-500 liter/minut
  - II = 50°C ... 650°C, luftstrøm 250-500 liter/minut
- når værktøjet anvendes for første gang, kan der komme røg fra det; dette er normalt og vil snart ophøre
- sluk for værktøjet ved at sætte kontakten A på stilling "0"

- Temperaturindstilling ⑤
    - indstil den ønskede måltemperatur i trin på 10°C ved at trykke kort på knapperne B
    - når du trykker på knapperne B øges/reduceres måltemperaturen kontinuerligt, indtil knapperne slippes, eller minimum-/maksimumtemperaturen er nået
    - når måltemperaturen er indstillet, viser displayet D den aktuelt stigende/faldende temperatur, indtil den ønskede temperatur er nået (kun i stilling "II")
    - måltemperaturen gemmes i værktøjets hukommelse, så det varmer op til den sidst valgte måltemperatur, hver gang der tændes for værktøjet
  - Indstilling af luftstrøm ⑥
    - indstil den ønskede luftstrøm i trin på 50 l/min. ved at trykke kort på knapperne C
    - display D viser den aktuelle indstilling af luftstrøm i et søjlediagram
  - Generel brug
    - afgør den rigtige temperatur ved at prøve at bruge værktøjet på et sted på arbejdsemnet, der ikke er så vigtigt; begynd med en lav temperaturindstilling
    - temperaturen falder, når afstanden mellem luftafgangen/dysen og arbejdsemnet øges
    - den nødvendige temperatur afhænger af det materiale, der skal arbejdes på
  - Stationær brug ⑦
    - stil værktøjet på bagenden i lodret stilling
    - sørg for at overfladen er ren og støvfri; forurenede luft beskadiger motoren
    - man skal sørge for at luftstrømmen er rettet væk fra en fastgjort ledningen for at undgå, at værktøjet trækkes ned
    - rør ikke ved luftafgangen/dysen
    - sørg for at intet falder ned i luftafgangen/dysen
    - hold omhyggeligt fast i værktøjet med den ene hånd, mens der slukkes for det med den anden og lad det så afkøle
  - Brug på svært tilgængelige steder
    - fjern ringen E ②, så metalluftafgangen kan nå længere væk
  - ! **vær opmærksom på den øgede risiko for brand og forbrændinger**
  - Håndtering og styring af værktøjet ⑧
    - hold værktøjet med den ene hånd
    - hold ventilationshullerne F ② utildækkede
  - Standard tilbehør ②
    - glasbeskyttelsesdysse G (til afbøjning af luftstrøm)
    - fladdysse H (til at gøre luftstrømmen bredere)
    - reflekterdysse J (til at reflektere luftstrømmen)
    - reduktionsdysse K (til at koncentrere luftstrømmen)
- OBS:
- alle eksempler på anvendelse (**undtagen fjernelse af maling fra vinduer**) kan udføres uden tilbehør; hvis det korrekte tilbehør anvendes, bliver arbejdet dog lettere og det forbedrer betydeligt kvaliteten af resultaterne
  - dette værktøj kan også bruges sammen med BOSCH- og andet almindeligt tilgængeligt tilbehør til varmepistoler

- Montering/afmontering af tilbehør
  - sæt blot tilbehøret på luftafgangen L ②
  - tilbehøret fjernes ved at trække det af, efter det er afkølet
- ! **sæt kun et tilbehør på, når luftafgangen er kold, når kontakten er i stilling "0" og stikket er taget ud af stikkontakten**
- Ophængningsring M ⑨
  - til nem opbevaring af værktøjet
  - ! **lad værktøjet køle ned i mindst 30 minutter, før det opbevares**
- Konstant varmekontrol (overbelastningssikring)
 

Beskytter varmelegemet mod beskadigelse, når værktøjet overbelastes, uden det er nødvendigt at standse det og/eller lade det afkøle et stykke tid

  - når temperaturen bliver for høj, afbrydes varmelegemet automatisk, mens motoren fortsat virker og producerer kold luft
  - når temperaturen er faldet tilstrækkeligt (hvilket kun tager et par sekunder), tændes varmelegemet automatisk
- ! **når værktøjet bliver slukket efter at have arbejdet ved en høj temperaturindstilling, og bliver tændt igen efter en kort pause, kan det tage et stykke tid, før varmelegemet når den ønskede temperatur**

## GODE RÅD

- Fjernelse af maling/lak ⑩
  - anvend en ren, skarp skraber
  - skrab godt til, når malingen bliver blød
  - man skal prøve sig frem for at finde ud af, hvor længe varmen skal påføres for at opnå det optimale resultat
  - skrab den blødgjorte maling omgående, ellers vil den blive hård igen
  - hold en 30° til 40° vinkel mellem værktøjet og arbejdsfladen
  - fjern maling og rester omgående fra skraberens for- og bagside, at de antændes
  - skrab med træets årer, hvor det er muligt
  - ret ikke den varme luftstrøm for længe mod den samme overflade
  - bortskaf alle malingsrester på en forsvarlig måde
  - rengør arbejdsområdet grundigt, når arbejdet er færdigt
- ! **vær forsigtig, når der fjernes flere lag maling i gamle bygninger; før i tiden kan der være blevet anvendt blyholdig maling, som er meget giftig**
- ! **udsættelse for selv lave niveauer af bly kan medføre alvorlige hjerne- og nerveskader; det er især farligt for småbørn og ufødte børn**
- ! **man skal få blybaseret maling fjernet af en fagmand uden brug af en varmluftpistol**
- ANDRE EKSEMPLER PÅ ANVENDELSE:
  - ★ fjernelse af (syntetiske) vægbeklædninger
- Fjernelse af maling/lak fra vinduer ⑪
  - anvend **altid** glasbeskyttelsesdysen G, når der arbejdes i nærheden af glas
  - fjern malingen med en spatel
- ! **anvend ikke værktøjet til at fjerne maling fra vinduer med metalrammer; metal er**

## varmeledende, hvilket kan medføre, at glasset går i stykker

- Fjernelse af mærkater/stickers (brug fladdysen H) ⑫
  - mange klæbemidler bliver blødere, når de opvarmes, så de klæbende flader kan skilles ad og det overflødige klæbemiddel fjernes
- ! **opvarm mærkaten på oversiden**
- ! **pas altid på, ikke at overophede den underliggende flade**
- ANDRE EKSEMPLER PÅ ANVENDELSE:
  - ★ fjernelse af linoleum og vinylbelægninger
  - ★ fjernelse af tæppefliser fremstillet af syntetiske fibre
  - ★ fjernelse af finér/påsætning af finerstrimler
  - ★ blødgørelse/smeltning af tjære, tin, asfalt, voks (brug fladdysen H)
  - ★ påføring af voks (ski, møbler) (brug fladdysen H) ⑬
  - ★ fjernelse af harpiks
  - ★ løsning af fastrustedefor stærkt strammede metalskruer, møtrikker og bolte
  - ★ fjernelse af stearin (**opvarm ikke den underliggende overflade for meget**)
  - ★ reparation af brækkede stearinlys/udretning af bøjede stearinlys, så de får deres oprindelige facon igen
- Krympepasning ⑭
  - brug reflektordysen J eller reduktionsdysen K
  - vælg et krympepasningsrør med en diameter, der svarer til arbejdsfladen
  - opvarm krympepasningsrøret jævnt
- ANDRE EKSEMPLER PÅ ANVENDELSE:
  - ★ pakning i tætsluttende plastfolie
- Lodning af vandrør ⑮
 

Dette værktøj er mest egnet til at arbejde med blødt loddemetall (smeltepunkt under 400°)

  - brug reflektordysen J
  - rens begge samplingsflader grundigt før lodning
  - forvarm begge sektioner og påfør loddebråd (**anvend ikke blybaseret loddebråd**)
- Optøning af frosne vandrør ⑯
  - brug reflektordysen J
  - opvarm det frosne område jævnt
- ! **vandrør er ofte vanskelige at skelne fra gasrør; det er meget farligt at opvarme gasrør - risiko for eksplosion**
- ANDRE EKSEMPLER PÅ ANVENDELSE:
  - ★ optøning af frosne vandrør fremstillet af PVC (**position I, maks. 60°C**)
  - ★ optøning af frosne billåse (**position I, maks. 60°C**) (brug reduktionsdysen K)
  - ★ afisning af fryserer (**pas på ikke at beskadige plastichuset**)
  - ★ optøning af islagte trin og fortove
- Formning af plasticrør
  - brug reflektordysen J
  - fyld røret med sand og luk det i begge ender for at undgå, at røret bliver bøjet
  - opvarm røret jævnt ved at føre værktøjet fra side til side
- ANDRE EKSEMPLER PÅ ANVENDELSE:
  - ★ formning af alle plasticstoffer med lavt smeltepunkt (polyætylen, PVC mv.)
  - ★ formning af alle plasticstoffer med højt smeltepunkt (acrylglass, Plexiglass mv.)

- ★ formning og bøjning af tæppefliser fremstillet af syntetiske fibre
  - ★ formning og bøjning af træ (modelbygning)
  - Svejsning af plasticstoffer
    - svejsesømmen skal være ren og fedtfri
    - hold svejsestangen tæt ved svejsesømmen og påfør varme, indtil svejsestangen bliver klæbrig
    - fjern varmen, når svejsesømmen er fyldt op
- ANDRE EKSEMPLER PÅ ANVENDELSE:**
- ★ reparation af surfbrætter, ski og andre syntetiske sportsartikler (brug fladdysen H)
  - ★ svejsning af PVC-materialer
  - ★ udglatning af blærer efter påsætning af PVC-mærkater
  - ★ forbindelse af haveslanger (brug reflektordysen J)
- Tørring
- ! tør kun på en lav eller mellem temperaturindstilling (position 1 eller 2) og med et øget afstand mellem værktøj og arbejdsflader**
- tørring af maling, lak, gips, mortel og puds
  - tørring af vådt træ inden fyldning
  - hurtig tørring af tykt påført fyldmasse eller klæbemiddel
  - tørring af bygningssamlinger før påsprøjtning af isolering eller tætningsmasse
  - tørring af samlinger og revner ved bådebygning
- Rengøring/desinficering
- desinficering af kaninbure, dueslag mv. (**tag først dyret ud**)
  - bekæmpelse af myrekolonier
  - bekæmpelse af træorm og borebiller (**hold værktøjet i tilstrækkelig afstand fra træet**)
  - fjernelse af ukrudt

## VEDLIGEHOLDELSE/SERVICE

- Dette værktøj er ikke beregnet til professionelt brug
- Hold værktøjet og ledningen ren (især ventilationshullerne F ②)
- Anvend aldrig brandfarlige væsker til generel rengøring af varmluftpistolen og især luftafgangen/dysen
- Skulle el værktøjet trods omhyggelig fabrikation og kontrol holde op med at fungere, skal reparationen udføres af et autoriseret serviceværksted for SKIL-elektroværktøj
  - send den **uskilte** værktøjet sammen med et købsbevis til forhandleren eller nærmeste SKIL serviceværksted (adresser og reservedelstegning af værktøjet findes på [www.skil.com](http://www.skil.com))

## MILJØ

- **Elværktøj, tilbehør og emballage må ikke bortskaffes som almindeligt affald** (kun for EU-lande)
  - i henhold til det europæiske direktiv 2012/19/EF om bortskaffelse af elektriske og elektroniske produkter og gældende national lovgivning, skal brugt elværktøj indsamles separat og bortskaffes på en måde, der skåner miljøet mest muligt
  - symbolet ⑰ erindrer dig om dette, når udskiftning er nødvendig

## OVERENSSTEMMELSESERKLÆRING CE

- Vi erklærer under almindeligt ansvar, at det produkt, der er beskrevet under "Tekniske data", er i overensstemmelse med følgende standarder eller normative dokumenter: EN 60335, EN 61000, EN 55014, i henhold til bestemmelseerne i direktiverne 2006/95/EF, 2004/108/EF, 2011/65/EU
- **Teknisk dossier hos:** SKIL Europe BV (PT-SEU/ENG1), 4825 BD Breda, NL

Marijn van der Hoofden  
Operations & Engineering

Olaf Dijkgraaf  
Approval Manager

SKIL Europe BV, 4825 BD Breda, NL

03.09.2014

CE11

N

## Varmepistol

8004

## INTRODUKSJON

- Dette verktøyet er beregnet for fjerning av maling, forming og sveising av plast, og oppvarming av rør for varme-krumming; verktøyet er også egnet for sveising, fortinning, løsning av limskjøter og tining av vannrør
- Dette verktøyet er ikke beregnet på profesjonell bruk
- Les og ta vare på denne brukerveiledningen ③

## TEKNISKE DATA ①

## VERKTØYELEMENTER ②

- A** Av/på bryter
- B** Knapper for innstilling av temperatur
- C** Knapper for innstilling av luftstrøm
- D** Skjerm (LCD)
- E** Beskyttelsesring
- F** Ventilasjonsåpninger
- G** Glassbeskyttelsesdyse
- H** Flat dyse
- J** Reflektordyse
- K** Reduksjonsdyse
- L** Luftutblåsning/dyse
- M** Opphengsring

## SIKKERHET

### GENERELLE SIKKERHETSANVISNINGER

**⚠ OBS! Les gjennom alle advarslene og anvisningene.** Feil ved overholdelsen av advarslene og nedenstående anvisninger kan medføre elektriske støt, brann og/eller alvorlige skader. **Ta godt vare på alle advarslene og informasjonene.** Det nedenstående anvendte uttrykket "elektroverktøy" gjelder for strømdrevne elektroverktøy (med ledning) og batteridrevne elektroverktøy (uten ledning).

### 1) SIKKERHET PÅ ARBEIDSPLASSEN

- a) **Hold arbeidsområdet rent og ryddig.** Rotete arbeidsområder eller arbeidsområder uten lys kan føre til ulykker.
- b) **Ikke arbeid med maskinen i eksplosjonsutsatte omgivelser – der det befinner seg brennbare væsker, gass eller støv.** Elektroverktøy lager gnister som kan antenne støv eller damper.
- c) **Hold barn og andre personer unna når elektroverktøyet brukes.** Hvis du blir forstyrret under arbeidet, kan du miste kontrollen over maskinen.

### 2) ELEKTRISK SIKKERHET

- a) **Støpselet til maskinen må passe inn i stikkkontakten. Støpselet må ikke forandres på noen som helst måte. Ikke bruk adapterstøpsler sammen med jordede maskiner.** Bruk av støpsler som ikke er forandret på og passende stikkontakter reduserer risikoen for elektriske støt.
- b) **Unngå kroppskontakt med jordede overflater slik som rør, ovner, komfyrer og kjøleskap.** Det er større fare ved elektriske støt hvis kroppen din er jordet.
- c) **Hold maskinen unna regn eller fuktighet.** Dersom det kommer vann i et elektroverktøy, øker risikoen for elektriske støt.
- d) **Ikke bruk ledningen til andre formål, f.eks. til å bære maskinen, henge den opp eller trekke den ut av stikkkontakten. Hold ledningen unna varme, olje, skarpe kanter eller maskindeler som beveger seg.** Med skadede eller opphopede ledninger øker risikoen for elektriske støt.
- e) **Når du arbeider utendørs med et elektroverktøy, må du kun bruke en skjøteledning som er godkjent til utendørs bruk.** Når du bruker en skjøteledning som er egnet for utendørs bruk, reduseres risikoen for elektriske støt.
- f) **Hvis det ikke kan unngås å bruke elektroverktøyet i fuktige omgivelser, må du bruke en jordfeilbryter.** Bruk av en jordfeilbryter reduserer risikoen for elektriske støt.

### 3) PERSONSIKKERHET

- a) **Vær oppmerksom, pass på hva du gjør, gå fornuftig frem når du arbeider med et elektroverktøy. Ikke bruk maskinen når du er trett eller påvirket av narkotika, alkohol eller medikamenter.** Et øyeblikks uoppmerksomhet ved bruk av maskinen kan føre til alvorlige skader.
- b) **Bruk personlig verneutstyr og husk alltid å bruke vernebriller.** Bruk av personlig sikkerhetsutstyr som støvmaske, sklifaste arbeidssko, hjelm eller hørselvern – avhengig av type og bruk av elektroverktøyet – reduserer risikoen for skader.
- c) **Unngå å starte verktøyet ved en feiltagelse. Forvis deg om at elektroverktøyet er slått av før du kobler det til strømmen og/eller batteriet, løfter det opp eller bærer det.** Hvis du holder fingeren på bryteren når du bærer elektroverktøyet eller kobler elektroverktøyet til strømmen i innkoblet tilstand, kan dette føre til uhell.
- d) **Fjern innstillingsverktøy eller skrunøkler før du slår på elektroverktøyet.** Et verktøy eller en nøkkel som befinner seg i en roterende maskindel, kan føre til skader.

- e) **Ikke overvurder deg selv. Sørg for å stå stødig og i balanse.** Dermed kan du kontrollere maskinen bedre i uventede situasjoner.
  - f) **Bruk alltid egnete klær. Ikke bruk vide klær eller smykker. Hold hår, tøy og hansker unna deler som beveger seg.** Løst sittende tøy, smykker eller langt hår kan komme inn i deler som beveger seg.
  - g) **Hvis det kan monteres støvavsug- og oppsamlingsinnretninger, må du forvise deg om at disse er tilkoblet og brukes på korrekt måte.** Bruk av et støvavsug reduserer faren på grunn av støv.
- ### 4) AKTSOM HÅNTERING OG BRUK AV ELEKTROVERKTØY
- a) **Ikke overbelast maskinen. Bruk et elektroverktøy som er beregnet til den type arbeid du vil utføre.** Med et passende elektroverktøy arbeider du bedre og sikrere i det angitte effektområdet.
  - b) **Ikke bruk elektroverktøy med defekt på-/avbryter.** Et elektroverktøy som ikke lenger kan slås av eller på, er farlig og må repareres.
  - c) **Trekk støpselet ut av stikkkontakten og/eller fjern batteriet før du utfører innstillinger på elektroverktøyet, skifter tilbehørsdeler eller legger maskinen bort.** Disse tiltakene forhindrer en utilsiktet startung av maskinen.
  - d) **Elektroverktøy som ikke er i bruk må oppbevares utilgjengelig for barn. Ikke la maskinen brukes av personer som ikke er fortrolig med dette eller ikke har lest disse anvisningene.** Elektroverktøy er farlige når de brukes av uerfarne personer.
  - e) **Vær nøye med vedlikeholdet av maskinen. Kontroller om bevegelige maskindeler fungerer feilfritt og ikke klemmes fast, og om deler er brukket eller skadet, slik at dette innvirker på maskinens funksjon. La skadede deler repareres før maskinen brukes.** Dårlig vedlikeholdte elektroverktøy er årsaken til mange uhell.
  - f) **Hold skjæreverktøyene skarpe og rene.** Godt stelte skjæreverktøy med skarpe skjær setter seg ikke så ofte fast og er lettere å føre.
  - g) **Bruk elektroverktøy, tilbehør, verktøy osv. i henhold til disse anvisningene. Ta hensyn til arbeidsforholdene og arbeidet som skal utføres.** Bruk av elektroverktøy til andre formål enn det som er angitt kan føre til farlige situasjoner.
- ### 5) SERVICE
- a) **Maskinen din skal alltid kun repareres av kvalifisert fagpersonale og kun med originale reservedeler.** Slik opprettholdes maskinens sikkerhet.

### SIKKERHETSANVISNINGER FOR VARMEPISTOLER

#### FØR BRUK:

- Sjekk at verktøyet er i funksjonell stand før det tas i bruk; hvis verktøyet er defekt, skal det alltid repareres av fagfolk; du må aldri åpne verktøyet selv
- Kontroller elektrisk ledning og støpsel hver gang før verktøyet tas i bruk; hvis disse er skadd, skal de skiftes ut av fagfolk
- Bruk helt utrullet og sikker skjøteledning med en kapasitet på 16 A
- Sjekk skjøteledningen regelmessig, og skift ut hvis skadd

- Verktøyet og tilbehøret skal brukes i henhold til veiledningen og bruksområdet som verktøyet og tilbehøret er beregnet på; hvis verktøyet brukes til formål det ikke er beregnet på, kan det oppstå farer
- Verktøyet må ikke brukes av personer under 16 år
- Dette verktøyet må ikke brukes av barn eller personer med fysiske eller sansemessige handicap, eller som er mentalt tilbakestående, eller mangler erfaring og kunnskaper, med mindre de er under tilsyn og får opplæring i bruk av verktøyet av en person som er ansvarlig for sikkerheten deres
- Sjekk alltid at tilført spenningen er den samme som oppgitt på verktøyets merkeplate
- Forsikre deg om at verktøyet er slått av når støpselet settes inn

#### BRUK:

##### • Verktøyet skal håndteres forsiktig; unngå brann og forbrenninger

- luftutblåsing/dysen og arbeidsstykket som oppvarmes må ikke berøres da disse blir ekstra varme
- luftutblåsing/dysen må ikke holdes for nær til arbeidsstykket
- den varme luftstrømmen må ikke rettes mot den samme overflaten for lenge
- du må aldri se inn i luftutblåsing/dysen
- ha på deg vernehansker og beskyttelsesbriller
- den varme luftstrømmen fra verktøyet må aldri rettes mot personer eller dyr
- verktøyet må ikke brukes til hårtørring
- legg ikke verktøyet fra deg hvor du ikke har tilsyn med det
- la ikke verktøyet bli liggende i nærheten av brennbare gasser eller antennelige materialer (**fare for eksplosjon**)
- når det arbeides med plast, maling, lakk og lignende materialer, kan det oppstå brennbare og giftige gasser; gjør deg kjent med materialene på forhånd som du skal arbeide med
- husk alltid på at varmen kan overføres til antennelige materialer utenfor synsfeltet ditt
- for å være på den sikre siden, sørg for at du har en beholder med vann eller brannsløkker tilgjengelig i tilfelle materialer skulle ta fyr
- **Unngå elektrisk støt**
  - du må aldri stikke gjenstander inn i luftutblåsing/dysen
  - unngå kroppskontakt med overflater som er jordet (f.eks. rør, radiatorer, ovner, kjøleskap)
  - pass på at verktøyet ikke blir vått
  - verktøyet må ikke brukes på fuktige steder
  - når verktøyet skal brukes utendørs, må det koples til en feilstørbryter som vil kople ut på 30 mA maksimum; det skal også bare brukes skjøteledninger som er beregnet for bruk utendørs og som er utstyrt med sprutsikker stikkontakt
- **Håndter strømledningen forsiktig**
  - strømledningen må alltid holdes unna den varme luftstrømmen og luftutblåsing/dysen
  - hold strømledningen unna varme, olje og skarpe kanter

- verktøyet må ikke bæres etter strømledningen; du må heller ikke rykke i ledningen for å dra støpselet ut av kontakten
- la ikke verktøyet henge etter strømledningen
- Verktøyet må aldri brukes sammen med kjemiske løsemidler
- Forsikre deg om at arbeidsområdet har tilstrekkelig ventilasjon
- Hold arbeidsområdet rent og sørg for god belysning
- Barn må ikke oppholde seg i arbeidsområdet
- Sørg for at barn ikke får anledning til å leke med verktøyet
- Innkoblinger fører til korte spenningsreduksjoner; ved ugunstige nettvilkår kan det oppstå forstyrrelser på andre apparater (ved nettoppedanser på mindre enn 0,127 + j0,079 Ohm forventes det ingen forstyrrelser); hvis De ønsker ytterligere klargjørelse, kontakt vennligst din lokale el leverandør myndighet
- Vær på vakt; pass hele tiden på hvordan verktøyet brukes og vær fornuftig - ikke bruk verktøyet når du er trett og sliten
- Sørg for at du står støtt og ikke må strekke deg, spesielt når du står i en stige eller trapp
- Forsikre deg om at verktøyet er slått av før du legger det fra deg
- I tilfelle en elektrisk eller mekanisk svikt, skal verktøyet med en gang slås av og støpslet trekkes ut

#### ETTER BRUK:

- Slå av verktøyet og trekk ut støpselet
- **La verktøyet avkjøles i minst 30 minutter før det lagres**
- Heng verktøyet opp etter ringen M ② eller sett det ned på enden i rett stilling; når verktøyet står på enden, pass på at det ikke er antennelige materialer eller brennbare gasser i nærheten
- Ikke lagre/etterlat verktøyet utendørs
- Verktøyet skal oppbevares på et tørt sted hvor det er låst inne og er utilgjengelig for barn

#### BRUK

- Av/på-bryter med 2 temperaturinnstillinger ④
- ! **Kontroll at bryter A er i stilling "0" før støpselet sett inn**
  - slå på verktøyet ved å skyve bryteren A til ønsket stilling:
    - I = 50°C + luftstrøm på 250-500 liter/minuttet
    - II = 50°C ... 650°C, luftstrøm på 250-500 liter/minuttet
  - når verktøyet brukes for første gang, er det mulig at det utvikler seg noe røyk; dette er normalt og vil stoppe etter en kort stund
  - slå verktøyet av ved å skyve bryteren A i stilling "0"
- Temperaturinnstilling ⑤
  - still inn ønsket måltemperatur i trinn på 10°C ved å trykke kort på knappene B
  - hvis du trykker og holder inne knappene B vil måltemperaturen øke/minke kontinuerlig inntil knappen slippes opp eller minimum/maksimum temperatur er nådd
  - når måltemperatur er innstilt, vil displayet D vise faktisk økende/minkende temperatur inntil ønsket temperatur er nådd (kun i stilling "II")

- måltemperaturen vil bli lagret i verktøyets minne slik at verktøyet varmer seg opp til sist valgte måltemperatur hver gang det blir slått på
- Luftstrømningsstilling ⑥
  - still inn ønsket luftstrøm i trinn på 50 l/min ved å trykke kort på knappene C
  - displayet D viser den aktuelle luftstrømningsstillingen i et søylediagram
- Generell bruk
  - bestem riktig temperatur ved å teste på en lite viktig del av arbeidsstykket; begynn på en lav temperaturinnstilling
  - temperaturen synker etter hvert som avstanden økes mellom luftutblåsing/dysen og arbeidsstykket
  - arbeidstemperaturen avhenger av materialet i arbeidsstykket
- Stasjonær bruk ⑦
  - sett verktøyet ned på enden bak i rett stilling (på høykant)
  - forsikre deg om at overflaten er ren og støvfri; forurenset luft vil ødelegge motoren
  - pass på at luftstrømmen er rettet bort fra deg
  - sett strømledningen fast slik at verktøyet ikke kan rives ned
  - luftutblåsing/dysen må ikke røres
  - pass på at ikke gjenstander faller ned i luftutblåsing/dysen
  - hold verktøyet godt med én hånd mens du slår det av med den andre; la verktøyet bli avkjølt
- Bruk på steder hvor det er vanskelig å komme til
  - ta av ringen E ② slik at utblåsing av metall kan dekke større distanse
- ! **vær på vakt når det gjelder økt risiko for brann og forbrenning**
- Grep og styring av verktøyet ⑧
  - hold verktøyet med én hånd
  - hold ventilasjonsåpningen F ② utildekket
- Standard tilbehør ②
  - beskyttelsesdyse for glass G (for å avlede luftstrøm)
  - flat dyse H (for bredere luftstrøm)
  - refleksordyse J (for refleksjon av luftstrøm)
  - reduksjonsdyse K (for konsentrert luftstrøm)
- MERKNADER:
  - alle eksempler på bruksområder (**bortsett fra fjerning av maling fra vinduer**) kan utføres uten tilbehør; bruk av hensiktsmessig tilbehør vil imidlertid forenkle arbeidet og forbedre kvaliteten betraktelig
  - dette verktøyet kan også brukes sammen med BOSCH-utstyr og annet vanlig tilbehør for varmepistoler
- Montering/demontering av tilbehør
  - tilbehøret er lett å montere på luftutblåsing L ②
  - demontering av tilbehøret skjer ved å trekke det av frontenden etter avkjøling
- ! **tilbehør skal bare monteres når luftutblåsing er kald og når bryteren er i stillingen "0", og støpselet trukket ut av kontakten**
- Opphengingsring M ⑨
  - for enkel lagring av verktøyet
- ! **la verktøyet avkjøles i minst 30 minutter før det lagres**

- Konstant varmekontroll (overlastvern)  
Beskytter varmeelement mot skade når verktøyet overbelastes uten å stoppe verktøyet og/eller la det avkjøles i en periode
  - når temperaturen blir for høy, vil varmeelementet slå seg av mens motoren fortsetter å være i gang og blåse kald luft
  - når temperaturen har gått tilstrekkelig ned (dette tar bare noen få sekunder), vil varmeelementet automatisk slå seg på igjen
- ! **når du slår av verktøyet etter å ha arbeidet med en høy temperaturinnstilling og slår det på igjen etter en kort pause, kan det ta litt tid for varmeelementet når ønsket temperatur**

## BRUKER TIPS

- Fjerning av maling/lakk ⑩
  - bruk en ren og skarp skrape
  - skrap med jevne, fast tak når malingen mykner
  - eksperimenter for å fastslå hvor lang tid det er nødvendig å varme opp for best resultat
  - skrap av den myke malingen med en gang før den blir hard igjen
  - hold verktøyet i en vinkel på 30° til 40° i forhold til overflaten på arbeidsstykket
  - maling og avfall skal fjernes fra skrapen med en gang for å unngå antenning
  - skrap i samme retning som veden hvor dette er mulig
  - den varme luftstrømmen må ikke rettes mot den samme overflaten for lenge
  - alt malingsavfall skal deponeres trygt og sikkert
  - arbeidsområdet skal gjøres godt rent etter ferdig arbeid
- ! **vær forsiktig når det fjernes maling på gamle bygninger, da de tidligere kan ha vært malt med blymaling som er ekstra giftig**
- ! **selv om du utsetter deg selv for lave blynivåer, kan dette forårsake alvorlig skade på hjerne og nervesystem; småbarn og foster er spesielt utsatt**
- ! **blymaling skal fjernes av fagfolk uten bruk av varmepistol**
- ANDRE BRUKSEKSEMPLER:
  - ★ fjerning av (syntetisk) tapet
- Fjerning av maling/lakk på vindusrammer ⑪
  - bruk **alltid** beskyttelsesdyse for glass G når det arbeides ved siden av glass
  - malingen skal fjernes med håndskrape
- ! **verktøyet må ikke brukes til fjerning av maling på vindusrammer av metall, da metall er varmeledende og kan ødelegge vindusglasset**
- Fjerning av klebemerker (bruk flat dyse H) ⑫
  - mange limtyper blir myke under oppvarming som gjør at limet vil separere, og gjenværende lim kan fjernes
- ! **klebmerket skal varmes på oversiden**
- ! **vær alltid forsiktig slik at underliggende overflate ikke oppvarmes for mye**
- ANDRE BRUKSEKSEMPLER:
  - ★ fjerning av linoleum og gulvbelegg av vinyl
  - ★ fjerning av gulvfliser av syntetisk fiber
  - ★ fjerning av finér/festing av finérlister
  - ★ oppmyking/smeltning av tjære, tinn, asfalt, voks (bruk flat dyse H)



- ★ voksing (ski, møbler) (bruk flat dyse H) <sup>(13)</sup>
- ★ fjerning av harpiks
- ★ løse rustne/for hardt tilskrudde metallskruer, mutrer og bolter
- ★ fjerning av stearin (**underlaget må ikke varmes opp for mye**)
- ★ reparasjon av ødelagte stearinlys/retting av bøyd stearinlys til opprinnelig form
- Montering ved krymping <sup>(14)</sup>
  - bruk reflektordyse J eller reduksjonsdyse K
  - velg rør for varme-krymping med en diameter som passer til arbeidsstykket
  - røret for varmekrymping skal varmes opp jevnt rundt hele overflaten

#### ANDRE BRUKSEKSEMPLER:

- ★ krympeinnpakning
- Sveising av vannrør <sup>(15)</sup>

Verktøyet passer best for arbeid med myke sveisetråder (smeltepunkt under 400°)

  - bruk reflektordyse J
  - overflater som skal skjotes må gjøres godt rene før sveising
  - begge overflatene skal varmes opp på forhånd før bruk av sveisetråd (**blysvैसेitrad må ikke brukes**)
- Tining av frosne vannrør <sup>(16)</sup>
  - bruk reflektordyse J
  - varm opp området jevnt

**! vannrør er ofte vanskelige å skjelle fra gassrør; oppvarming av gassrør er meget farlig da dette kan føre til eksplosjon**

#### ANDRE BRUKSEKSEMPLER:

- ★ tining av vannrør laget av PVC (**innstilling I, maks. 60°C**)
- ★ tining av frosne dørlåser på biler (**innstilling I, maks. 60°C**) (bruk reduksjonsdyse K)
- ★ tining av frysere (**vær forsiktig ikke å ødelegge plastkledningen innvendig**)
- ★ tining av isbelagte trapper og fortau
- Forming av plastrør
  - bruk reflektordyse J
  - fyll røret med sand og tett det i begge ender for at røret ikke skal bøye seg
  - røret skal varmes opp jevnt ved å bevege det frem og tilbake

#### ANDRE BRUKSEKSEMPLER:

- ★ forming av plast med lavt smeltepunkt (polyetylen, PVC, osv.)
- ★ forming av alle plastmaterialer med høyt smeltepunkt (akryl-glass, plexiglass, osv.)
- ★ forming og bøyning av gulvfliser med syntetisk fiber
- ★ forming og bøyning av tre (modellbygging)
- Sveising av plast
  - sveisesømmen må være ren og fri for fett
  - hold sveisetråden nær sømmen og varm den opp til sveisetråden blir klebrig
  - ta varmen bort fra overflaten når sveisesømmen er fylt

#### ANDRE BRUKSEKSEMPLER:

- ★ reparasjon av surfebrett, ski og annet syntetisk sportsutstyr (bruk flat dyse H)
- ★ sveising av PVC-materialer
- ★ glatting av blemmer etter festing av PVC klebemerker
- ★ kopleing av hageslanger (bruk reflektordyse J)

- Tørking
  - ! tørking skal bare foregå på lav eller medium temperaturinnstilling (stilling 1 eller 2) og med økt avstand mellom verktøyet og arbeidsstykket**
  - tørking av maling, lakk, gips og sementpuss
  - tørking av tre før fylling med fyllstoff
  - hurtigtørking av tykke lag med fyllstoff eller klebemiddel/lim
  - tørking av skjøter i bygninger før sprøyting med isolasjons- eller tetningsmiddel
  - tørking av skjøter og sprekker i båtbygging
- Rengjøring/desinfeksjon
  - desinfisering av kaninbur, dueslag, osv. (ta dyret ut først)
  - fjerning av maurkolonier
  - fjerning av tremark og biller (hold verktøyet på tilstrekkelig avstand fra treet)
  - fjerning av ugress

## VEDLIKEHOLD / SERVICE

- Dette verktøyet er ikke beregnet på profesjonell bruk
- Hold alltid verktøyet og kabelen ren (spesielt ventilasjonshullene F <sup>(2)</sup>)
- Det må aldri brukes lettantennelige væsker til generell rengjøring av varmepistolen og spesielt ikke i luftutblåsing/dysen
- Hvis elektroverktøyet til tross for omhyggelige produksjons- og kontrollmetoder en gang skulle svikte, må reparasjonen utføres av et autorisert serviceverksted for SKIL-elektroverktøy
  - send verktøyet i **montert** tilstand sammen med kjøpebevis til forhandleren eller nærmeste SKIL servicesenter (adresser liksom service diagram av verktøyet finner du på [www.skil.com](http://www.skil.com))

## MILJØ

- **Kast aldri elektroverktøy, tilbehør og emballasje i husholdningsavfallet** (kun for EU-land)
  - i henhold til EU-direktiv 2012/19/EF om kasserte elektriske og elektroniske produkter og direktivets iverksetting i nasjonal rett, må elektroverktøy som ikke lenger skal brukes, samles separat og returneres til et miljøvennlig gjenvinningsanlegg
  - symbolet <sup>(17)</sup> er påtrykt som en påminnelse når utskiftning er nødvendig

## SAMSVARSERKLÆRING € €

- Vi erklærer som eneansvarlig at produktet som beskrives under "Tekniske data" stemmer overens med følgende normer eller normative dokumenter: EN 60335, EN 61000, EN 55014, jf. bestemmelsene i direktivene 2006/95/EF, 2004/108/EF, 2011/65/EU

- **Teknische onderlag hos:** SKIL Europe BV (PT-SEU/ENG1), 4825 BD Breda, NL

Marijn van der Hoofden  
Operations & Engineering

Olaf Dijkgraaf  
Approval Manager

SKIL Europe BV, 4825 BD Breda, NL

03.09.2014

CE11

FIN

## Lämpöpistooli

8004

### ESITTELY

- Koneet on tarkoitettu maalin poistamiseen, muovin tuotoiluun ja hitsaukseen ja lämpö-kutisteisen putkiston lämmittämiseen; työkalu sopii myös juottamiseen ja tinaukseen, liitoskohtien löysentämiseen ja vesiputkien sulattamiseen
- Tämä työkalua ei ole tarkoitettu ammattikäyttöön
- Lue ja säilytä tämä ohjekirja ③

### TEKNISET TIEDOT ①

### LAITTEEN OSAT ②

- A Virtakytkin
- B Painikkeet lämpötilan asetusta varten
- C Ilmavirtauksen säätöpainikkeet
- D Näyttö (LCD)
- E Suojarengas
- F Ilmanvaihto-aukot
- G Lasinsuojasuutin
- H Litteä suutin
- J Heijastinsuutin
- K Kavennussuutin
- L ilmareikä/suutin
- M Ripustusrengas

### TURVALLISUUS

#### YLEISET TURVALLISUUSOHJEET

#### **HUOMIO!** Lue kaikki turvallisuus- ja muut ohjeet.

Turvallisuusohjeiden noudattamisen laiminlyönti saattaa johtaa sähköiskuihin, tulipaloon ja/tai vakavaan loukkaantumiseen. **Säilytä kaikki turvallisuus- ja muut ohjeet tulevaisuutta varten.** Turvallisuusohjeissa käytetty käsite "sähkötyökalu" käsittää verkkokäyttöisiä sähkötyökaluja (verkkojohdolla) ja akkukäyttöisiä sähkötyökaluja (ilman verkkojohtoa).

#### 1) TYÖPAIKAN TURVALLISUUS

- Pidä työskentelyalue puhtaana ja hyvin valaistuna.** Työpaikan epäjärjestys tai valaisemattomat työalueet voivat johtaa tapaturmiin.
- Älä työskentele sähkötyökalulla räjähdysalttiissa ympäristössä, jossa on palavaa nestettä, kaasua tai**

pölyä. Sähkötyökalu muodostaa kipinöitä, jotka saattavat sytyttää pölyn tai höyryt.

- Pidä lapset ja sivulliset loitolla sähkötyökalua käyttäessäsi.** Voit menettää laitteesi hallinnan, huomiosi suuntautuu muualle.

#### 2) SÄHKÖTURVALLISUUS

- Sähkötyökalun pistotulpan tulee sopia pistorasiaan. Pistotulppaa ei saa muuttaa millään tavalla. Älä käytä mitään pistorasia-adaptoreita maadoitettujen sähkötyökalujen kanssa.** Alkuperäisessä kunnossa olevat pistotulpat ja sopivat pistorasiat vähentävät sähköiskun vaaraa.
  - Vältä koskettamasta maadoitettuja pintoja, kuten putkia, pattereita, liesiä tai jääkaappeja.** Sähköiskun vaara kasvaa, jos kehosi on maadoitettu.
  - Älä aseta sähkötyökalua alttiiksi sateelle tai kosteudelle.** Veden tunkeutuminen sähkötyökalun sisään kasvattaa sähköiskun riskiä.
  - Älä käytä verkkojohtoa väärin. Älä käytä sitä sähkötyökalun kantamiseen, vetämiseen tai pistotulpan irrottamiseen pistorasiasta. Pidä johto loitolla kuumuudesta, öljystä, terävistä reunoista ja liikkuvista osista.** Vahingoittuneet tai soikeutuneet johdot kasvattavat sähköiskun vaaraa.
  - Käyttäessäsi sähkötyökalua ulkona, käytä ainoastaan ulkokäyttöön soveltuvaa jatkojohtoa.** Ulkokäyttöön soveltuvan jatkojohdon käyttö pienentää sähköiskun vaaraa.
  - Jos sähkötyökalun käyttö kosteassa ympäristössä ei ole vältettävissä, tulee käyttää maavuotokatkaisijaa.** Maavuotokatkaisijan käyttö vähentää sähköiskun vaaraa.
- #### 3) HENKILÖTURVALLISUUS
- Ole valpas, kiinnitä huomiota työskentelyysi ja noudata tervettä järkeä sähkötyökalua käyttäessäsi. Älä käytä sähkötyökalua, jos olet väsynyt tai huumeiden, alkoholin tai lääkkeiden vaikutuksen alaisena.** Hetken tarkkaamattomuus sähkötyökalua käytettäessä, saattaa johtaa vakavaan loukkaantumiseen.
  - Käytä suojavarusteita. Käytä aina suojalaseja.** Henkilökohtaisen suojavarustuksen käyttö, kuten pölynaamarin, luistamattomien turvakengien, suojakypärän tai kuulonsuojaimien, riippuen sähkötyökalun lajista ja käyttötavasta, vähentää loukaantumiseriskiä.
  - Vältä tahatonta käynnistämistä. Varmista, että sähkötyökalu on poiskytketty, ennen kuin liität sen sähköverkkoon ja/tai liität akun, otat sen käteen tai kannat sitä.** Jos kannat sähkötyökalua sormi käynnistyskytkimellä tai kytket sähkötyökalun pistotulpan pistorasiaan, käynnistyskytkimen ollessa käyntiasennossa, altistaa itsesi onnettomuuksille.
  - Poista kaikki säätötyökalut ja ruuvitaltat, ennen kuin käynnistät sähkötyökalun.** Työkalu tai avain, joka sijaitsee laitteeseen pyörivässä osassa, saattaa johtaa loukkaantumiseen.
  - Älä yliarvioi itseäsi. Huolehdi aina tukevasta seisoma-asennosta ja tasapainosta.** Täten voit paremmin hallita sähkötyökalua odottamattomissa tilanteissa.
  - Käytä tarkoitukseen soveltuvia vaatteita. Älä käytä löysiä työvaatteita tai koruja. Pidä hiukset, vaatteet ja käsi neet loitolla liikkuvista osista.** Väljäyt vaatteet, korut ja pitkät hiukset voivat takertua liikkuviin osiin.

- g) Jos pölynimu- ja keräilylaitteita voidaan asentaa, tulee sinun tarkistaa, että ne on liitetty ja että ne käytetään oikealla tavalla. Pölynimulaitteiston käyttö vähentää pölyn aiheuttamia vaaroja.

#### 4) SÄHKÖTYÖKALUJEN KÄYTTÖ JA HOITO

- a) Älä ylikuormita laitteita. Käytä kyseiseen työhön tarkoitettua sähkötyökäluä. Sopivaa sähkötyökäluä käyttäen työskentelet paremmin ja varmemmin tehoalueella, jolle sähkötyökälu on tarkoitettu.
- b) Älä käytä sähkötyökäluä, jota ei voida käynnistää ja pysäyttää käynnistyskytkimestä. Sähkötyökälu, jota ei enää voida käynnistää ja pysäyttää käynnistyskytkimellä, on vaarallinen ja se täytyy korjata.
- c) Irrota pistotulppa pistorasiasta, ennen kuin suoritat säätöjä, vaihdat tarvikkeita tai siirrat sähkötyökäluä varastoitavaksi. Nämä turvatoimenpiteet pienentävät sähkötyökäluä tahattoman käynnistysriskin.
- d) Säilytä sähkötyökälu poissa lasten ulottuvilta, kun niitä ei käytetä. Älä anna sellaisten henkilöiden käyttää sähkötyökäluä, jotka eivät tunne sitä tai jotka eivät ole lukeneet tätä käyttöohjetta. Sähkötyökälu ovat vaarallisia, jos niitä käyttävät kokemattomat henkilöt.
- e) Hoida sähkötyökäluasi huolella. Tarkista, että liikkuvat osat toimivat moitteettomasti, eivätkä ole puristuksessa sekä, että siinä ei ole murtuneita tai vahingoittuneita osia, jotka saattaisivat vaikuttaa haitallisesti sähkötyökäluä toimintaan. Anna korjauttaa mahdolliset viat ennen käyttöönottoa. Monen tapaturman syyt löytyvät huonosti huolletuista laitteista.
- f) Pidä leikkausterät terävinä ja puhtaina. Huolellisesti hoidetut leikkaustyökäluet, joiden leikkausreunat ovat teräviä, eivät tartu helposti kiinni ja niitä on helpompi hallita.
- g) Käytä sähkötyökäluja, tarvikkeita, vaihtotyökäluja jne. näiden ohjeiden mukaisesti. Ota tällöin huomioon työolosuhteet ja suoritettava toimenpide. Sähkötyökäluä käyttö muuhun kuin sille määrättyyn käyttöön, saattaa johtaa vaarallisiin tilanteisiin.

#### 5) HUOLTO

- a) Anna koulutettujen ammattihenkilöiden korjata sähkötyökäluasi ja hyväksy korjauksiin vain alkuperäisiä varaosia. Täten varmistat, että sähkötyökälu säilyy turvallisena.

#### TURVALLISUUSOHJEITA LÄMPÖPISTOOLIN VARTEN

##### ENNEN KÄYTTÖÄ:

- Tarkista työkalun toiminta aina ennen sen käyttöä ja mahdollisen vian löytyessä anna se välittömästi ammattitaitoisen henkilön korjattavaksi; älä koskaan itse avaa työkalua
- Tarkasta työkalun johto ja kosketin ennen kutakin käyttökertaa ja, jos löytyy vaurio, anna se ammattitaitoisen henkilön korjattavaksi
- Käytä täysin rullaamattomia ja turvallisia jatkejohtoja, joiden kapasiteetti on 16 ampeeria
- Tarkasta jatkejohto ajoittain ja vaihda vaurioitunut jatkejohto uuteen
- Käytä työkalua ja sen tarvikkeita tämän opasmanuaalin antamien ohjeiden mukaisesti ja tavalla, jolla työkalu on tarkoitettu käytettäväksi; jos työkalua käytetään

toimintoihin, jotka poikkeavat työkalun normaalista käyttötavasta, seurauksena voi olla vaarallinen tilanne

- Tätä työkalua saavat käyttää vain 16 vuotta täyttäneet henkilöt
- Tätä työkalua ei ole tarkoitettu henkilöiden käyttöön (mukaan lukien lapset), joiden fyysinen, sensorinen tai henkinen viireys on rajoittunut tai joilla ei ole kokemusta tai tietämystä, ellei heidän turvallisuudestaan vastaava henkilö ole antanut heille ohjausta tai koulutusta työkalun käytössä
- Tarkista aina, että syöttöjännite on sama kuin työkalun nimilaatan osoittama jännite
- Varmista, että työkalun toiminta on katkaistu sen kosketin liitettäessä pistorasiaan

##### KÄYTÖN AIKANA:

- **Käsittele työkalua varoen tulipalo- ja palohaavariskien estämiseksi**
  - älä kosketa ilmareikää/suutinta tai kuumennettavia kohteita; he tulevat hyvin kuumiksi
  - älä pidä ilmareikää/suutinta liian lähellä työskentelyn kohdetta
  - älä kohdistu kuumaa ilmavirtaa liian kauan aikaa samaa pintaa kohti
  - älä koskaan katso alas ilmareikään/suuttimeen
  - käytä suojakäsineitä ja suojalaseja
  - älä koskaan suunnista kuumaa ilmavirtaa ihmisiä tai eläimiä kohti
  - älä käytä työkalua hiusten kuivaamiseen
  - älä jätä työkalua ilman valvontaa
  - älä koskaan käytä työkalua syttyvien kaasujen tai räjähdysarkojen materiaalien lähellä (**räjähdysvaara**)
  - työskenneltäessä muovin, maalin, lakan ja muiden samantyyppisten materiaalien parissa voi kehittyä syttyviä ja myrkyllisiä kaasuja; ota etukäteen selvää työskentelyn parissa käytettävistä materiaaleista
  - ota huomioon, että lämpö voi välittyä näkökentän ulkopuolella oleviin räjähdysarkoihin materiaaleihin
  - turvavarotoimenä pidä käsillä ämpäriäinen vettä tai tulesammutin materiaalien syyttymisen varalta
- **Estä mahdollinen sähköiskuriiski**
  - älä koskaa työhön mitään ilmareikään/suuttimeen
  - vältä kehon kosketusta maadoitettuihin pintoihin (esim. putket, jäädyttimet, toiminta-alueet, jäädytyskoneet)
  - varmista, että työkalu ei pääse kastumaan
  - älä käytä työkalua kosteilla paikoilla
  - ulkotilassa käytettäessä liitä työkalu vikavirran (FI) piirikatkaisimen kautta laukaisuvirtaan, jonka maksimi on 30 mA ka; käytä vain sellaista jatkojohtoa, joka on tarkoitettu ulkotilassa käytettäväksi ja varustettu roiskevedenpitävällä kytkentäliittimellä
- **Käsittele johtoa varoen**
  - pidä johto aina poissa kuumailmavirrasta ja ilmareikästä/suutimesta
  - pidä johto poissa lämpölähteiden, öljyn ja terävien reunojen läheltä
  - älä kannata työkalua sen johdosta äläkä irrota työkalua koskettimesta sen johdosta vetämällä
  - älä riiputa työkalua sen johdosta
- Älä koskaan käytä työkalua kemiallisten liuosten yhteydessä
- Varmista, että työskentelyalueella on kunnollinen tuuletus
- Pidä työskentelyalue puhtaana ja hyvin valaistuna

- Pidä lapset poissa työalueelta
- Varmista, etteivät lapset leiki työkalulla
- Kytkeä tapahtumat aikaansaavat lyhytaikaisia jännitteen alenemisiä; huonoissa verkko-olosuhteissa saattaa tämä vaikuttaa haitallisesti muihin laitteisiin (verkkoimpedanssin ollessa alle 0,127 + j0,079 Ohm ei häiriöitä ole odotettavissa); jos tarvitset lisätietoa, ole hyvä ja ota yhteyttä omaan sähkönjakelijasiin (verkkoimpedanssin ollessa alle 0,127 + j0,079 Ohm ei häiriöitä ole odotettavissa); jos tarvitset lisätietoa, ole hyvä ja ota yhteyttä omaan sähkönjakelijasiin
- Pysy valppaana; tarkkaile toimiasi, käytä järjeäsi äläkä käytä työkalua, jos olet väsynyt
- Asettaudu tukevaan asentoon; älä kurottele varsinkaan tikapuilla ja lavoilla
- Varmista, että työkalun toiminta on katkaistu ennen sen asettamista sivuun
- Jos huomaat sähköisen tai mekaanisen vian, sammuta kone heti ja irrota liitosjohto pistorasiasta

### KÄYTÖN JÄLKEEN:

- Katkaise työkalun toiminta ja irrota kosketin pistorasiasta
- **Anna työkalun viiletä vähintään 30 minuutin ajan ennen sen asettamista sen säilytyspaikkaan**
- Ripusta työkalu ripustusrenkaaseen M ② tai aseta se alas sen takaosan varaan pystyasentoon; tätä suorittessasi varmista, että läheisyydessä ei ole räjähdysarkoja materiaaleja tai syttyviä kaasuja
- Älä säilytä/jätä työkalua ulkotilassa
- Säilytä työkalu kuivassa ja lukitussa paikassa lasten ulottumattomissa

## KÄYTTÖ

- 2 Lämpötila-asetuksella varustettu kytkin ④
- ! **tarkista, että kytkin A on asennossa "0" ennen koskettimen liittämistä pistorasiiaan**
- kytke työkalu painamalla kytkin A haluttuun asentoon:
  - I = 50°C + ilmavirta 250-500 litraa/minuutissa
  - II = 50°C ... 650°C, ilmavirta 250-500 litraa/minuutissa
- työkalua ensimmäistä kertaa käytettäessä siitä voi nousta hivenen savua; tämä on normaalia ja lakkaa pian
- katkaise työkalun toiminta työntämällä kytkin A asentoon "0"
- Lämpötila-asetus ⑤
  - aseta haluttu tavoitelämpötila 10°C:n välein painamalla lyhyesti painikkeita B
  - painikkeiden B jatkuva painaminen pienentää/kasvattaa tavoitelämpötilaa jatkuvasti, kunnes painikkeet vapautetaan tai saavutetaan minimi-/maksimilämpötila
  - kun lämpötila on asetettu, näytöllä D näkyy todellinen nouseva/laskeva lämpötila kunnes haluttu lämpötila saavutetaan (vain asennossa "II")
  - tavoitelämpötila tallentuu työkalun muistiin, joten jokaisen kytkennän jälkeen työkalu lämpiää viimeksi valittuun tavoitelämpötilaan
- Ilmavirtauksen säätäminen ⑥
  - aseta haluttu ilmavirtaus 50 l/min välein painamalla lyhyesti painikkeita C
  - näytöllä D näkyy nykyinen ilmavirtauksen asetus pylväskaavionä
- Yleiskäyttö
  - määritä oikea lämpötila testaamalla sellainen työstettävän kappaleen osa, johon sen vaikutuksella ei ole merkitystä; aloita työ alhaisella lämpötila-asetuksella

- lämpötila laskee kun ilmareikänsuuttimen ja työstökappaleen välinen etäisyys lisääntyy
- tarvittava lämpötila riippuu työstettävästä materiaalista
- Käyttö paikallaan olevassa paikassa ⑦
  - aseta työkalu sen takaosan varaan pystyasentoon
  - varmista, että pinta on puhdas ja pölytön; saastunut ilma vahingoittaa moottoria
  - varmista, että ilmavirta kohdistuu pois sinusta itsestäsi
  - varmista johto työkalun alasvetämisen estämiseksi
  - älä kosketa ilmareikää/suutinta
  - varmista, että ilmareikänsuuttimeen ei pääse putoamaan mitään
  - pidä työkalusta kiinni huolella yhdellä kädelläsi samalla kun katkaiset sen toiminnan toisella kädelläsi ja anna työkalun viilentyä sen jälkeen
- Käyttö vaikeapääsyisissä paikoissa
  - poista rengas E ②, mikä antaa metalliselle ilmareikäle pitemmän etäisyyden
- ! **kiinnitä huomiota lisääntyneeseen tulipalon ja palohaavojen aiheutumisen riskiin**
- Koneen pitäminen ja ohjaaminen ⑧
  - pidä työkalusta kiinni toisella kädellä
  - pidä ilmanvaihto-aukkoja F ② peittämättöminä
- Vakiotarvikkeet ②
  - lasinsuujaussuutinta G (sivusuuntaan kulkevaa ilmavirtaa varten)
  - litteä suutin H (ilmavirran leventämiseksi)
  - heijastinsuutin J (ilmavirran heijastamista varten)
  - kavennussuntin K (ilmavirran keskittämistä varten)
- HUOMAUTUKSIA:
  - kaikki sovellusesimerkit **(paitsi maalin irrottaminen ikkunoista)** voidaan suorittaa ilman tarvikkeita, mutta asianmukaisten tarvikkeiden käyttö yksinkertaistaa työn ja parantaa huomattavasti tulosten laatua
  - tätä työkalua voidaan myös käyttää yhdessä BOSCH-merkkisten tai muiden lämpöpistoleille yleisesti saatavilla olevien lisätarvikkeiden kanssa
- Tarvikkeiden kiinnitys/irrotus
  - asenna tarvikkeet yksinkertaisesti ilmareikänsuutinta L ②
  - irrota tarvikkeet vetämällä pois etuosasta sen viilenemisen jälkeen
- ! **kiinnitä tarvikkeet vain ilmareikänsuutinta ollessa kylmä, kytkimen ollessa asennossa "0" ja kun kosketin on irrotettuna pistorasiasta**
- Ripustusrengas M ③
  - työkalun helppoa säilytystä varten
- ! **anna työkalun viiletä vähintään 30 minuutin ajan ennen sen asettamista sen säilytyspaikkaan**
- Jatkuva lämpötilan kontrollointi (ylikuormaussuoja)
  - Suojaaja lämmityselementtiä vaurioitumiselta työkalun ollessa ylikuormitettuna tarvitsematta pysäyttää sitä ja/tai viilentää sitä tietyin aikajakson ajan
  - kun lämpötila nousee liian korkeaksi, lämmityselementti kytkee itsensä irti moottorin jatkaessa käymistä ja tuo kylmää ilmaa
  - kun lämpötila on pudonnut riittävästi (vieden vain muutaman sekunnin), lämpöelementti kytkeytyy automaattisesti
- ! **kun työkalua on käytetty korkealla lämpötila-asetuksella ja se kytketään pois päältä sekä lyhyen tauon jälkeen takaisin päälle, saattaa**

**kulua hetki ennen kuin lämmityselementti saavuttaa halutun lämpötilan**

## VINKKEJÄ

- Maalin/lakan poisto ⑩
  - käytä puhdasta, terävää raavinta
  - raaputa kunnolla, kunnes maali pehmenee
  - suorita kokeiluja saadaksesi selville, kuinka pitkä aika tarvitaan lämmön soveltamiseksi optimia tulosta varten
  - raaputa pehmenneet maali välittömästi tai se kovettuu uudelleen
  - jätä 30° - 40° kulma työkalun ja työstökappaleen välille
  - poista maali ja jätteet välittömästi raapimista niiden syttymisen estämiseksi
  - suorita raavinta puun syyn suuntaan, jos mahdollista
  - älä kohdista kuumaa ilmavirtaa liian kauan aikaa samaa pintaa kohti
  - hävitä kaikki maalijäte turvallisella tavalla
  - puhdista työskentelyalue kunnolla tehtävän suorittamisen jälkeen
- ! **noudata varovaisuutta vanhojen rakennusten maalipintoja irrottaessa; on mahdollista että rakennus on joskus aikaisemmin maalattu lyijyä sisältävällä maalilla, joka on erittäin myrkyllistä**
- ! **jopa pienille lyijymäärille altistuminen voi johtaa vakavaan aivojen ja hermojärjestelmän vaurioitumiseen; pienet ja vastasyntyneet lapset ovat erityisen alttiita tälle vaaralle**
- ! **anna lyijypitoisen maalin irrotus ammattimaisen henkilön suorittavaksi lämpöpistoolia käyttämättä**

MITA SOVELLUSESIMERKKEJÄ:

- ★ (synteettisen) tapetin poisto
- Maalin/lakan poisto ikkunoista ⑪
  - käytä **aina** lasinsuojussuutinta G lasin lähellä työskennellessäsi
  - poista maali käsiraavinta käyttämällä
  - ! **älä käytä työkalua metallikehysten ikkunoiden maalin poistamiseksi; metalli johtaa lämpöä, mikä voi aiheuttaa lasin särkyvän**
- Tarrojen poisto (käytä litteää suutinta H) ⑫
  - monet itseliimautuvat tarrat pehmenevät niitä lämmitettäessä mahdollistaen liimasidoksen eriyttämisen ja liiallisen liiman poistamisen
  - ! **lämmitä tarran ulkopinta**
  - ! **varo alla olevan pinnan ylikuumentamista**
- MITA SOVELLUSESIMERKKEJÄ:
  - ★ linoleumi- ja vinylilattiapäilyksen poisto
  - ★ synteettisistä kuiduista valmistettujen lattialaattojen poisto
  - ★ vaneerista valmistettujen päällysten irrotus/vanerilukien sovellus
  - ★ tervan, tinan, bitumin, vahan pehmitys/sulatus (käytä litteää suutinta H)
  - ★ vahaus (sukset, huonekalut) (käytä litteää suutinta H) ⑬
  - ★ hartsin poisto
  - ★ ruosteisten/liian tiukalle kiristettyjen metalliruuvien, muttereiden ja pulttien löysennys
  - ★ kynttilävahan poisto (**älä ylikuumenna alla olevaa pintaa**)

- ★ murtuneiden kynttilöiden korjaus/taipuneiden kynttilöiden alkuperäisen muodon palauttaminen
- Kutistumisasennus ⑭
  - käytä heijastinsuutinta J tai kutistumissuutinta K
  - valitse kutistumisasennustuubi, jonka halkaisija vastaa työstökappaleen halkaisinta
  - lämmitä kutistumisasennustuubi tasaisesti kauttaaltaan
- MITA SOVELLUSESIMERKKEJÄ:
  - ★ kutistuspakkaus
- Vesiputkien juottaminen ⑮
  - Tämä työkalu sopii parhaiten työskentelyyn pehmeitä juotteita varten (sulatuspiste alle 400°)
  - käytä heijastinsuutinta J
  - puhdista molemmat liitososat läpikotaisin ennen juottamista
  - esilämmitä molemmat osat ja sovita juottolanka (**älä käytä lyijypitoisen juottolanka**)
- Jäätyneiden vesiputkien sulatus ⑯
  - käytä heijastinsuutinta J
  - lämmitä jäätyneet alue tasaisesti
  - ! **vesiputkia on usein vaikeata erottaa kaasuputkista; kaauputkien lämmittäminen on erittäin vaarallista – riskinä on räjähtäminen**
- MITA SOVELLUSESIMERKKEJÄ:
  - ★ PVC:stä valmistettujen vesiputkien sulatus (**asento I, maks. 60°C**)
  - ★ jäätyneiden autonlukkojen sulatus (**asento I, maks. 60°C**) (käytä kavennussuutinta K)
  - ★ pakastimien sulatus (**älä vaurioita muovikotelo**)
  - ★ jääpeitteisten askelmien ja kävelyteiden sulattaminen
- Muovituubien muotoilu
  - käytä heijastinsuutinta J
  - täytä tuubi hiekalla ja tiivistä se molemmista päistä tuubin vääntymisen estämiseksi
  - lämmitä tuubia tasaisesti liikuttamatta sitä sivulta toiselle
- MITA SOVELLUSESIMERKKEJÄ:
  - ★ kaikkien muovien muotoilu alhaista sulatuspistettä käyttämällä (polyeteeni, PVC jne.)
  - ★ kaikkien muovien muotoilu korkeata sulatuspistettä käyttämällä (akryyliasi, plexilasi jne.)
  - ★ synteettisistä kuiduista valmistettujen lattianpäällyslaattojen muotoilu ja taittaminen
  - ★ puun muotoilu ja taittaminen (mallirakennus)
- Muovien hitsaus
  - hitsaussauman on oltava puhdas ja rasvaton
  - pidä hitsauspuikko lähellä hitsaussaamaa ja kohdista lämpöä, kunnes hitsauspuikko on tahmea
  - poista lämpö kun hitsaussauma on täytetty
- MITA SOVELLUSESIMERKKEJÄ:
  - ★ surffauslautojen, suksien ja muiden synteettisten urheilutarvikkeiden korjaus (käytä litteää suutinta H)
  - ★ PVC-materiaalien hitsaus
  - ★ ilmarakkuloiden tasaus PVC-tarrojen asetuksen jälkeen
  - ★ puutarhalehtien yhdistäminen (käytä heijastinsuutinta J)
- Kuivaus
  - ! **suorita kuivaus vain alhaisella tai keskikorkealla lämpötila-asetuksella (asento 1 tai 2) ja lisäten työkalun ja työstökappaleen välistä etäisyyttä**
  - maalin, lakan, kipsimuurauslaastin ja kipsilaastin kuivaus

- määrän puun kuivaus ennen täyttöö
- paksusti levitetyn täytinaineen tai liiman kuivaus nopeasti
- rakennusliitosten kuivaus ennen eristeaineen tai tiivistäineen ruiskuttamista
- venerakennuksen liitosten ja halkeamien kuivaus
- Puhdistus/desinfiointi
  - kanihakkien, kyyhkyslakkojen jne. desinfiointi (**poista ensin lemmikkieläin**)
  - muurahaisten hävittäminen
  - toukkien ja kovakuoriaisten hävittäminen (**pidä työkalu riittävän etäällä puupinnasta**)
  - rikkaruohojen hävittäminen

## HOITO / HUOLTO

- Tätä työkalua ei ole tarkoitettu ammattikäyttöön
- Pidä työkalu ja johto puhtaina (varmista erityisesti ilma-aukkojen puhtaus F ②)
- Älä koskaan käytä helposti syttyviä nesteitä lämpöpistoolin puhdistamiseen yleisesti ja varsinkaan ilmareinän/suutimen puhdistukseen
- Jos sähkötyökalussa, huolellisesta valmistuksesta ja koestusmenettelystä huolimatta esiintyy vikaa, tulee korjata antaa SKIL sopimushuollon tehtäväksi
  - toimita työkalu sitä osiin **purkamatta** lähimpään SKIL-huoltoon (osoitteet ja työkalun huoltokaava ovat tarjolla web-osoitteessa [www.skil.com](http://www.skil.com)) ostotodiste mukaan liitettynä

## YMPÄRISTÖNSUOJELU

- **Älä hävitä sähkötyökalua, tarvikkeita tai pakkausta tavallisen kitalousjätteen mukana** (koskee vain EU-maita)
  - vanhoja sähkö- ja elektroniikkalaitteita koskevan EU-direktiivin 2012/19/ETY ja sen maakohtaisten sovellusten mukaisesti käytetyt sähkötyökalut on toimitettava ongelmajätteen keräyspisteeseen ja ohjattava ympäristöstävälliseen kierrätykseen
  - symboli ① muistuttaa tästä, kun käytöstä poisto tulee ajankohtaiseksi

## VAATIMUSTEN- MUKAISUUSVAKUUTUS C E

- Vakuutamme yksin vastaavamme siitä, että kohdassa "Tekniset tiedot" selostettu tuote vastaa seuraavia standardeja tai standardoituja asiakirjoja: EN 60335, EN 61000, EN 55014 direktiivien 2006/95/EY, 2004/108/EY, 2011/65/EU määräysten mukaan
- **Tekninen tiedosto kohdasta:** SKIL Europe BV (PT-SEU/ENG1), 4825 BD Breda, NL

Marijn van der Hoofden  
Operations & Engineering

Olaf Dijkgraaf  
Approval Manager

SKIL Europe BV, 4825 BD Breda, NL

03.09.2014

CE11

E

## Pistola de calor

8004

## INTRODUCCIÓN

- Esta herramienta está diseñada para eliminar pintura, conformar y soldar plástico, y calentar tubos termocontraibles; la herramienta también es adecuada para soldar y estañar, despegar juntas adhesivas y descongelar tuberías de agua
- Esta herramienta no está concebida para uso profesional
- Lea y conserve este manual de instrucciones ③

## DATOS TÉCNICOS ①

## ELEMENTOS DE LA HERRAMIENTA ②

- A Interruptor de activación/desactivación
- B Botones para ajuste de temperatura
- C Botones para ajuste del caudal de aire
- D Pantalla de cristal líquido (LCD)
- E Anillo de protección
- F Ranuras de ventilación
- G Tobera de protección del cristal
- H Tobera plana
- J Tobera reflectora
- K Tobera reductora
- L Salida/tobera de aire
- M Anillo de colgar

## SEGURIDAD

### INSTRUCCIONES GENERALES DE SEGURIDAD

**⚠ ¡ATENCIÓN! Lea íntegramente estas advertencias de peligro e instrucciones.** En caso de no atenerse a las advertencias de peligro e instrucciones siguientes, ello puede ocasionar una descarga eléctrica, un incendio y/o lesión grave. **Guardar todas las advertencias de peligro e instrucciones para futuras consultas.** El término "herramienta eléctrica" empleado en las siguientes advertencias de peligro se refiere a herramientas eléctricas de conexión a la red (con cable de red) y a herramientas eléctricas accionadas por acumulador (o sea, sin cable de red).

### 1) SEGURIDAD DEL PUESTO DE TRABAJO

- a) **Mantenga limpia y bien iluminada su área de trabajo.** El desorden o una iluminación deficiente en las áreas de trabajo pueden provocar accidentes.
- b) **No utilice la herramienta eléctrica en un entorno con peligro de explosión, en el que se encuentren combustibles líquidos, gases o material en polvo.** Las herramientas eléctricas producen chispas que pueden llegar a inflamar los materiales en polvo o vapores.
- c) **Mantenga alejados a los niños y otras personas de su área de trabajo al emplear la herramienta eléctrica.** Una distracción le puede hacer perder el control sobre la herramienta.

## 2) SEGURIDAD ELÉCTRICA

- a) **El enchufe de la herramienta debe corresponder a la toma de corriente utilizada. No es admisible modificar el enchufe en forma alguna. No emplear adaptadores en herramientas dotadas con una toma de tierra.** Los enchufes sin modificar adecuados a las respectivas tomas de corriente reducen el riesgo de una descarga eléctrica.
- b) **Evite que su cuerpo toque partes conectadas a tierra como tuberías, radiadores, cocinas y refrigeradores.** El riesgo a quedar expuesto a una descarga eléctrica es mayor si su cuerpo tiene contacto con tomas de tierra.
- c) **No exponga las herramientas eléctricas a la lluvia o a condiciones de humedad.** Existe el peligro de recibir una descarga eléctrica si penetran líquidos en la herramienta.
- d) **No utilice el cable de red para transportar o colgar la herramienta, ni tire de él para sacar el enchufe de la toma de corriente. Mantenga el cable de red alejado del calor, aceite, esquinas cortantes o piezas móviles.** Los cables de red dañados o enredados pueden provocar una descarga eléctrica.
- e) **Al trabajar con la herramienta eléctrica en la intemperie utilice solamente cables de prolongación homologados para su uso en exteriores.** La utilización de un cable de prolongación adecuado para su uso en exteriores reduce el riesgo de una descarga eléctrica.
- f) **Si el funcionamiento de una herramienta eléctrica en un lugar húmedo fuese inevitable, utilice un cortacircuito de fuga a tierra.** El uso de un cortacircuito de fuga a tierra reduce el riesgo de descarga eléctrica.

## 3) SEGURIDAD DE PERSONAS

- a) **Esté atento y emplee la herramienta con prudencia. No utilice la herramienta eléctrica si estuviese cansado, ni bajo los efectos de alcohol, drogas o medicamentos.** El no estar atento durante el uso de una herramienta eléctrica puede provocarle serias lesiones.
- b) **Utilice un equipo de protección personal y en todo caso unas gafas de protección.** El riesgo a lesionarse se reduce considerablemente si, dependiendo del tipo y la aplicación de la herramienta eléctrica empleada, se utiliza un equipo de protección adecuado como una mascarilla antipolvo, zapatos de seguridad con suela antideslizante, casco, o protectores auditivos.
- c) **Evite una puesta en marcha fortuita. Asegurarse de que la herramienta eléctrica esté desconectada antes de conectarla a la toma de corriente y/o al montar el acumulador, al recogerla, y al transportarla.** Si transporta la herramienta eléctrica sujetándola por el interruptor de conexión/desconexión, o si introduce el enchufe en la toma de corriente con la herramienta eléctrica conectada, ello puede dar lugar a un accidente.
- d) **Retire las herramientas de ajuste o llaves fijas antes de conectar la herramienta eléctrica.** Una herramienta o llave colocada en una pieza rotativa puede producir lesiones graves al accionar la herramienta eléctrica.
- e) **Sea precavido. Trabaje sobre una base firme y mantenga el equilibrio en todo momento.** Ello le

permitirá controlar mejor la herramienta eléctrica en caso de presentarse una situación inesperada.

- f) **Lleve puesta una vestimenta de trabajo adecuada. No utilice vestimenta amplia ni joyas. Mantenga su pelo, vestimenta y guantes alejados de las piezas móviles.** La vestimenta suelta, las joyas y el pelo largo se pueden enganchar con las piezas en movimiento.
  - g) **Siempre que sea posible utilice equipos de aspiración o captación de polvo, asegúrese que éstos estén montados y que sean utilizados correctamente.** El empleo de estos equipos reduce los riesgos derivados del polvo.
- ## 4) CUIDADO Y UTILIZACIÓN DE HERRAMIENTAS ELÉCTRICAS
- a) **No sobrecargue la herramienta. Use la herramienta prevista para el trabajo a realizar.** Con la herramienta adecuada podrá trabajar mejor y con mayor seguridad dentro del margen de potencia indicado.
  - b) **No utilice herramientas con un interruptor defectuoso.** Las herramientas que no se puedan conectar o desconectar son peligrosas y deben repararse.
  - c) **Saque el enchufe de la red y/o desmonte el acumulador antes de realizar un ajuste en la herramienta eléctrica, cambiar de accesorio o al guardar la herramienta eléctrica.** Esta medida preventiva reduce el riesgo de conectar accidentalmente la herramienta.
  - d) **Guarde las herramientas fuera del alcance de los niños y de las personas que no estén familiarizadas con su uso.** Las herramientas utilizadas por personas inexpertas son peligrosas.
  - e) **Cuide sus herramientas con esmero. Controle si funcionan correctamente, sin atascarse, las partes móviles de la herramienta, y si existen partes rotas o deterioradas que pudieran afectar al funcionamiento de la herramienta. Si la herramienta eléctrica estuviese defectuosa haga repararla antes de volver a utilizarla.** Muchos de los accidentes se deben a herramientas con un mantenimiento deficiente.
  - f) **Mantenga los útiles limpios y afilados.** Los útiles mantenidos correctamente se dejan guiar y controlar mejor.
  - g) **Utilice herramientas eléctricas, accesorios, útiles, etc. de acuerdo con estas instrucciones, teniendo en cuenta las condiciones de trabajo y la tarea a realizar.** El uso de herramientas eléctricas para trabajos diferentes de aquellos para los que han sido concebidas puede resultar peligroso.
- ## 5) SERVICIO
- a) **Únicamente haga reparar su herramienta eléctrica por un profesional, empleando exclusivamente piezas de repuesto originales.** Solamente así se mantiene la seguridad de la herramienta eléctrica.

## INSTRUCCIONES DE SEGURIDAD PARA PISTOLAS DE CALOR

### ANTES DE UTILIZAR LA HERRAMIENTA:

- Compruebe el funcionamiento de la herramienta cada vez que vaya a utilizarla; en el caso de que presentara algún defecto, llévelo a una persona cualificada para que lo repare; no abra nunca la herramienta

- Inspeccione el cable y el enchufe de la herramienta cada vez que vaya a utilizarla y, si estuvieran dañados, haga que una persona cualificada los repare
- Utilice cables de extensión seguros y completamente desenrollados con una capacidad de 16 amperios
- Inspeccione el cable de extensión periódicamente y, si estuviera dañado, sustitúyalo
- Utilice la herramienta y sus accesorios según se indica en este manual de instrucciones y de manera adecuada para la máquina; el uso de la herramienta en operaciones distintas para las que ha sido diseñada, podría generar situaciones peligrosas
- Esta herramienta no debe utilizarse por personas menores de 16 años
- Esta herramienta no está pensada para ser utilizada por personas (incluidos niños) con capacidades físicas, sensoriales o mentales disminuidas o falta de experiencia y conocimientos, a menos que estén bajo la supervisión o instrucciones relativas al uso de la herramienta por parte de una persona responsable de su seguridad
- Compruebe siempre que la tensión de alimentación es la misma que la indicada en la placa de características de la herramienta
- Asegúrese de que la herramienta está apagada cuando la enchufe

#### **DURANTE EL USO DE LA HERRAMIENTA:**

- **Maneje la herramienta con cuidado; evite que se produzcan fuego y quemaduras**
  - no toque la salida/tobera de aire ni el objeto recalentado; pueden estar extremadamente calientes
  - no acerque demasiado la salida/tobera de aire al objeto sobre el que trabaja
  - no dirija el chorro de aire caliente hacia la misma superficie durante demasiado tiempo
  - nunca mire hacia la salida/tobera de aire
  - utilice guantes de protección y gafas de seguridad
  - nunca dirija el chorro de aire caliente hacia personas o animales
  - nunca utilice la herramienta para secar el cabello
  - no deje la herramienta desatendida
  - nunca utilice la herramienta cerca de gases inflamables o materiales combustibles (**riesgo de explosión**)
  - cuando trabaje con plástico, pintura, barniz o materiales similares se pueden generar gases inflamables y venenosos; antes de realizar un trabajo, infórmese sobre los materiales con los que va a trabajar
  - tenga en cuenta que el calor se puede propagar hasta materiales combustibles que estén fuera del alcance de su vista
  - para trabajar seguro, tenga un cubo de agua o un extintor a mano por si algún material se incendiara
- **Protéjase de una posible electrocución**
  - no utilice nunca la salida/tobera de aire para hurgar sobre cualquier cosa
  - evite que el cuerpo esté en contacto con superficies que puedan trabajar como tomas de tierra (p.ej. tuberías, radiadores, refrigeradores)
  - asegúrese de que la herramienta no se moja
  - no utilice la herramienta en lugares húmedos

- cuando utilice la herramienta en el exterior, enchúfela a través del interruptor de la corriente (FI) con un interruptor diferencial de 30 mA como máximo; sólo utilice un cable de extensión apropiado para su uso en el exterior y equipado con un enchufe a prueba de salpicaduras
- **Maneje el cable con cuidado**
  - siempre mantenga el cable lejos del chorro de aire y de la salida/tobera de aire
  - mantenga el cable lejos del calor, el aceite y los bordes afilados
  - no transporte la herramienta cogiéndola por el cable, ni tire del cable para desconectarla del enchufe
  - no cuelgue la herramienta del cable
- Nunca utilice la herramienta junto con disolventes químicos
- Asegúrese de que el área de trabajo está convenientemente ventilada
- Mantenga el área de trabajo limpia y bien iluminada
- Mantenga a los niños fuera del área de trabajo
- Asegúrese de que los niños no jueguen con la herramienta
- Los picos de intensidad durante la conmutación causan un descenso transitorio de la tensión; si las condiciones en la red fuesen desfavorables, ello puede llegar a afectar a otros aparatos (con impedancias de red inferiores a 0,127 + j0,079 ohmios es muy improbable que se produzcan perturbaciones); si usted necesita alguna aclaración, contacte con su proveedor de energía eléctrica
- Permanezca alerta; fíjese bien en lo que haga, utilice el sentido común y no utilice la herramienta cuando esté cansado
- Adopte una postura segura; no la fuerce, especialmente cuando trabaje en escaleras y tablados
- Asegúrese de que ha apagado la herramienta antes de dejarla a un lado
- En el caso de que se produjera un mal funcionamiento eléctrico o mecánico, apague inmediatamente la herramienta y desconecte el enchufe

#### **DESPUÉS DE UTILIZAR LA HERRAMIENTA:**

- Apague la herramienta y desconecte el enchufe
- **Deje que la herramienta se enfríe durante un mínimo de 30 minutos antes de guardarla**
- Cuelgue la herramienta utilizando la anilla M (2) o colóquela sobre su parte trasera y de pie; cuando haga esto, asegúrese de que en la proximidad no haya materiales combustibles o gases inflamables
- No guarde/deje la herramienta en el exterior
- Guarde la herramienta en un lugar seco y cerrado con llave, lejos del alcance de los niños

#### **USO**

- Interruptor de encendido/apagado con 2 ajustes de temperatura (4)
- ! **compruebe si el interruptor A se encuentra en la posición "0" antes de enchufarlo**
- encienda la herramienta conmutando el interruptor A en la posición deseada:
  - I = 50°C + chorro de aire = 250-500 litros/minuto
  - II = 50°C ... 650°C, chorro de aire = 250-500 litros/minuto



- cuando utilice la herramienta por primera vez, observará que sale algo de humo de la herramienta; es normal y pronto desaparecerá
- apague la herramienta devolviendo el interruptor A a la posición "0"
- Ajuste de temperatura ⑤
  - fije la temperatura objetivo deseada en pasos de 10°C pulsando los botones B brevemente
  - al pulsar los botones B de forma constante se aumenta/disminuye la temperatura objetivo de forma continua hasta soltar los botones o hasta alcanzar la temperatura máxima/mínima
  - una vez fijada la temperatura objetivo, la pantalla D muestra la temperatura en aumento/disminución real hasta alcanzar la temperatura deseada (únicamente en la posición "II")
  - la temperatura objetivo se guardará en la memoria de la herramienta, de modo que cada vez que se encienda la herramienta, ésta se calienta hasta alcanzar la temperatura objetivo seleccionada la última vez
- Ajuste del caudal de aire ⑥
  - fije el caudal de aire deseado en pasos de 50 l/min. pulsando los botones C brevemente
  - en la pantalla D, se muestra la configuración real del caudal de aire en un gráfico de barras
- Uso general
  - determine la temperatura adecuada haciendo pruebas en una zona discreta; empiece con un ajuste bajo de la temperatura
  - la temperatura disminuye a medida que aumenta la distancia entre la salida/tobera de aire y la pieza de trabajo
  - la temperatura necesaria depende del material sobre el que trabaje
- Uso estacionario ⑦
  - apoye la herramienta sobre su parte trasera y de pie
  - asegúrese de que la superficie está limpia y sin polvo; el aire sucio daña el motor
  - asegúrese de que dirige el chorro lejos de usted
  - fije el cable para evitar que la herramienta se caiga
  - no toque la salida/tobera de aire
  - asegúrese de que nada cae dentro de la salida/tobera de aire
  - sostenga la herramienta cuidadosamente con una mano, mientras que con la otra la apaga; después deje que se enfríe
- Uso en lugares de difícil alcance
  - retire el anillo E ② para permitir que la salida de aire de metal alcance una mayor distancia
  - ! **preste atención al incremento del riesgo de incendio y quemaduras**
- Sujeción y manejo de la herramienta ⑧
  - sostenga la herramienta con una mano
  - mantenga las ranuras de ventilación F ② descubiertas
- Accesorios estándar ②
  - tobera de protección del cristal G (para desviar el chorro de aire)
  - tobera plana H (para ensanchar el chorro de aire)
  - tobera reflectora J (para reflejar el chorro de aire)
  - tobera reductora K (para concentrar el chorro de aire)

## NOTAS:

- todos los ejemplos de aplicación (**excepto cuando se retire pintura de las ventanas**) pueden llevarse a cabo sin accesorios; sin embargo, el uso de los accesorios apropiados simplifica el trabajo y mejora significativamente la calidad de los resultados
- esta herramienta también puede utilizarse en combinación con accesorios BOSCH y de otras marcas habituales para pistolas de calor
- Montaje/desmontaje de accesorios
  - simplemente encaje el accesorio dentro de la salida de aire L ②
  - sara retirar un accesorio, tire de él por la parte frontal cuando se haya enfriado
  - ! **monte un accesorio únicamente cuando la salida de aire esté fría, el conmutador esté en la posición "0" y el enchufe desconectado**
- Anillo de colgar M ⑨
  - para un almacenamiento fácil de la herramienta
  - ! **deje que la herramienta se enfríe durante un mínimo de 30 minutos antes de guardarla**
- Control constante del calor (protección contra sobrecargas)
 

Esta protección evita que el elemento generador de calor sufra daños cuando la herramienta se sobrecarga después de un uso prolongado y/o no se haya dejado enfriar durante cierto período de tiempo

  - cuando la temperatura alcanza un valor muy elevado, los interruptores del elemento generador de calor se apagan; mientras, el motor continúa girando y generando aire frío
  - cuando la temperatura ha caído suficientemente (sólo en unos segundos), el elemento generador de calor se enciende automáticamente
  - ! **si se apaga la herramienta después de trabajar en un modo de alta temperatura y se vuelve a encender de nuevo después de un descanso, es posible que haya que esperar unos instantes hasta que el elemento generador de calor alcance la temperatura deseada**

## CONSEJOS DE APLICACIÓN

- Eliminación de pintura/laca ⑩
  - utilice un raspador limpio y afilado
  - raspe firmemente cuando se ablande la pintura
  - realice pruebas para establecer el tiempo necesario de aplicación de calor para obtener resultados óptimos
  - raspe la pintura reblandecida enseguida o se endurecerá de nuevo
  - rorme un ángulo de 30° a 40° entre la herramienta y la pieza de trabajo
  - retire los restos de pintura del raspador inmediatamente para evitar que ardan
  - cuando sea posible, raspe con la fibra de la madera
  - no dirija el chorro de aire caliente hacia la misma superficie durante demasiado tiempo
  - deshágase con precaución de todos los restos de pintura
  - cuando acabe, limpie a fondo la zona de trabajo

! **tenga cuidado cuando retire capas de pintura en edificios antiguos; puede ser que anteriormente se pintara el edificio con pintura que contenía plomo, el cual es muy venenoso**

! **la exposición, incluso, a niveles bajos de plomo puede ocasionar daños serios en el cerebro y el sistema nervioso; los niños y los fetos son especialmente vulnerables**

! **deje que un profesional retire las pinturas con contenido de plomo, sin utilizar pistolas de calor**

OTRO EJEMPLO DE APLICACIÓN:

★ eliminación de cubiertas (sintéticas) de muros

- Eliminación de pintura/laca de las ventanas <sup>(11)</sup>
  - utilice **siempre** la tobera de protección del cristal G cuando trabaje cerca de un cristal
  - retire la pintura con un raspador de mano

! **no utilice la herramienta para eliminar la pintura en ventanas con marcos metálicos; el metal es conductor del calor y puede llegar a romper el cristal**

- Extracción de adhesivos (utilice la tobera plana H) <sup>(12)</sup>
  - muchos adhesivos se ablandan cuando se calientan, lo que permite que la cola adhesiva se separe y se pueda sacar el adhesivo

! **caliente el adhesivo por su cara superior**

! **tenga cuidado siempre de no sobrecalentar la superficie subyacente**

OTROS EJEMPLOS DE APLICACIÓN:

- ★ extracción de moquetas de linóleo y vinilo
- ★ extracción de losas de moqueta fabricadas con fibras sintéticas
- ★ extracción/colocación de láminas de madera
- ★ ablandamiento/derretimiento de brea, estaño, betún y cera (utilice la tobera plana H)
- ★ encerado (esquís, muebles) (utilice la tobera plana H) <sup>(13)</sup>

★ extracción de resina

★ aflojado de tornillos, tuercas y pernos metálicos oxidados o apretados en exceso

★ extracción de cera de vela (**no sobrecaliente la superficie subyacente**)

★ reparación de velas rotas o restauración de velas dobladas a su forma original

- Tubos termocontraíbles <sup>(14)</sup>
  - utilice la tobera reflectora J o la tobera reductora K
  - seleccione un tubo termocontraíble que tenga un diámetro que se adapte al de la pieza de trabajo
  - caliente el tubo termocontraíble de manera uniforme

OTRO EJEMPLO DE APLICACIÓN:

★ embalaje termoplástico

- Soldado de tuberías de agua <sup>(15)</sup>

Esta herramienta es más adecuada para trabajar con soldaduras suaves (punto de fusión por debajo de los 400°)

  - utilice la tobera reflectora J
  - antes de realizar la soldadura, limpie por completo las dos secciones que vaya a unir
  - caliente previamente ambas secciones y aplique el alambre de soldar (**no utilice el alambre de soldar con contenido de plomo**)
- Descongelación de tuberías de agua congeladas <sup>(16)</sup>
  - utilice la tobera reflectora J
  - caliente el área congelada de manera uniforme

! **a menudo, las tuberías de agua son difíciles de distinguir de las de gas; calentar tuberías de gas es extremadamente peligroso - corre el riesgo de provocar una explosión**

OTROS EJEMPLOS DE APLICACIÓN:

- ★ descongelación de tuberías de agua fabricadas con PVC (**posición I, máx. 60°C**)
- ★ descongelación de cerraduras de coche congeladas (**posición I, máx. 60°C**) (utilice la tobera reductora K)
- ★ descarchado de congeladores (**procure no dañar la carcasa de plástico**)
- ★ descongelado de peldaños y pavimentos recubiertos de hielo

- Conformado de tubos de plástico
  - utilice la tobera reflectora J
  - llene el tubo con arena y tape en ambos extremos para evitar que el tubo se arrugue
  - caliente el tubo de manera uniforme moviéndolo de un lado a otro

OTROS EJEMPLOS DE APLICACIÓN:

- ★ conformado de cualquier plástico con punto de fusión bajo (polietileno, PVC, etc.)
- ★ conformado de cualquier plástico con punto de fusión elevado (cristal acrílico, Plexiglas, etc.)
- ★ conformado y doblado de losas de moqueta fabricadas con fibras sintéticas
- ★ conformado y doblado de madera (construcción de modelos)

- Plásticos para soldadura
  - la costura de soldadura debe estar limpia de suciedad y grasa
  - mantenga la varilla de soldar cerca de la costura de soldadura y aplique calor hasta que la varilla de soldar presente un aspecto pegajoso
  - retire el calor cuando la costura de soldadura esté lisa

OTROS EJEMPLOS DE APLICACIÓN:

- ★ reparación de tablas de surf, esquís y otros materiales deportivos sintéticos (utilice la tobera plana H)
- ★ soldadura de materiales de PVC
- ★ alisado de burbujas producidas al pegar etiquetas de PVC
- ★ unión de mangueras de jardín (utilice la tobera reflectora J)

- Secado
  - ! **seque utilizando únicamente el ajuste de baja o media temperatura (posición 1 o 2) y a una cierta distancia entre la herramienta y la pieza de trabajo**

- secado de pintura, barniz, yeso, mortero y escayola
- secado de vigas de madera húmedas antes del relleno
- secado de rellenos espesos o adhesivos rápidos
- secado de juntas de edificios antes de aplicar el aislante o el impermeabilizador
- secado de juntas y grietas en la construcción de barcos

- Limpieza/desinfección
  - desinfección de conejeras, palomares, etc. (**primero retire sus animales**)
  - lucha contra hormigueros

- lucha contra carcomas y escarabajos (**sostenga la herramienta a una distancia adecuada de la madera**)
- eliminación de malas hierbas

## MANTENIMIENTO / SERVICIO

- Esta herramienta no está concebida para uso profesional
- Mantenga limpio el cable eléctrico y la herramienta (sobre todo las ranuras de ventilación F ②)
- Nunca utilice líquidos fácilmente inflamables para limpiar la pistola, en general, ni la salida/tobera de aire, en particular
- Si a pesar de los esmerados procesos de fabricación y control, la herramienta llegase a averiarse, la reparación deberá encargarse a un servicio técnico autorizado para herramientas eléctricas SKIL
  - envíe la herramienta **sin desmontar** junto con una prueba de su compra a su distribuidor o a la estación de servicio más cercana de SKIL (los nombres así como el despiece de piezas de la herramienta figuran en [www.skil.com](http://www.skil.com))

## AMBIENTE

- **No deseche las herramientas eléctricas, los accesorios y embalajes junto con los residuos domésticos** (sólo para países de la Unión Europea)
  - de conformidad con la Directiva Europea 2012/19/CE sobre residuos de aparatos eléctricos y electrónicos y su aplicación de acuerdo con la legislación nacional, las herramientas eléctricas cuya vida útil haya llegado a su fin se deberán recoger por separado y trasladar a una planta de reciclaje que cumpla con las exigencias ecológicas
  - símbolo ⑰ llamará su atención en caso de necesidad de tirarlas

## DECLARACIÓN DE CONFORMIDAD CE

- Declaramos bajo nuestra sola responsabilidad que el producto descrito bajo "Datos técnicos" está en conformidad con las normas o documentos normalizados siguientes: EN 60335, EN 61000, EN 55014, de acuerdo con las disposiciones en las directivas 2006/95/CE, 2004/108/CE, 2011/65/UE
- **Expediente técnico en:** SKIL Europe BV (PT-SEU/ENG1), 4825 BD Breda, NL

Marijn van der Hoofden  
Operations & Engineering

Olaf Dijkgraaf  
Approval Manager

SKIL Europe BV, 4825 BD Breda, NL

03.09.2014

CE11



P

## Pistola de ar quente

8004

## INTRODUÇÃO

- Esta ferramenta destina-se à remoção de tinta, à modelagem e soldagem de plástico, e ao aquecimento de tubagens termo-retrácteis; a ferramenta também é adequada para soldar e estanhar, para separar juntas coladas e para degelar canos de água
- Esta ferramenta não se destina a utilização profissional
- Leia e guarde este manual de instruções ③

## DADOS TÉCNICOS ①

### ELEMENTOS DA FERRAMENTA ②

- A Interruptor para ligar/desligar
- B Botões de definição da temperatura
- C Botões para definição do fluxo de ar
- D Visor (LCD)
- E Anel de protecção
- F Aberturas de ventilação
- G Bocal de protecção do vidro
- H Bocal plano
- J Bocal do reflector
- K Bocal de redução
- L Bocal/saída de ar
- M Anel de fixação

## SEGURANÇA

### INSTRUÇÕES GERAIS DE SEGURANÇA

**⚠ ATENÇÃO! Devem ser lidas todas as indicações de advertência e todas as instruções.** O desrespeito das advertências e instruções apresentadas abaixo pode causar choque eléctrico, incêndio e/ou graves lesões. **Guarde bem todas as advertências e instruções para futura referência.** O termo "ferramenta eléctrica" utilizado a seguir nas indicações de advertência, refere-se a ferramentas eléctricas operadas com corrente de rede (com cabo de rede) e a ferramentas eléctricas operadas com acumulador (sem cabo de rede).

#### 1) SEGURANÇA DA ÁREA DE TRABALHO

- a) **Mantenha a sua área de trabalho limpa e arrumada.** Desordem ou áreas de trabalho com fraca iluminação podem causar acidentes.
- b) **Não trabalhar com a ferramenta eléctrica em áreas com risco de explosão, nas quais se encontrem líquidos, gases ou pós inflamáveis.** Ferramentas eléctricas produzem faíscas que podem provocar a ignição de pó e vapores.
- c) **Mantenha crianças e outras pessoas afastadas da ferramenta eléctrica durante o trabalho com a ferramenta.** Distrações podem causar a falta de controle sobre o aparelho.

#### 2) SEGURANÇA ELÉCTRICA

- a) **A ficha da ferramentas eléctricas devem caber na tomada. A ficha não deve ser modificada de modo**

algum. Não utilize quaisquer fichas de adaptação junto com ferramentas eléctricas ligadas à terra.

Fichas sem modificações e tomadas adequadas reduzem o risco de choques eléctricos.

- b) **Evite que o corpo entre em contacto com superfícies ligadas à terra, como por exemplo tubos, radiadores, fogões e geladeiras.** Há um risco elevado de choques eléctricos, caso o corpo for ligado à terra.
- c) **A ferramenta eléctrica não deve ser exposta à chuva nem humidade.** A penetração de água na ferramenta eléctrica aumenta o risco de choques eléctricos.
- d) **O cabo do aparelho não deve ser utilizado para o transporte, para pendurar o aparelho, nem para puxar a ficha da tomada. Mantenha o cabo afastado de calor, óleo, cantos afiados ou partes em movimento do aparelho.** Cabos danificados ou torcidos aumentam o risco de choques eléctricos.
- e) **Ao trabalhar com a ferramenta eléctrica ao ar livre, use um cabo de extensão apropriado para áreas externas.** O uso de um cabo apropriado para áreas externas reduz o risco de choques eléctricos.
- f) **Se não for possível evitar o funcionamento da ferramenta eléctrica em áreas húmidas, deverá ser utilizado um disjuntor de corrente de avaria.** A utilização de um disjuntor de corrente de avaria reduz o risco de um choque eléctrico.

### 3) SEGURANÇA DE PESSOAS

- a) **Esteja alerta, observe o que está a fazer, e tenha prudência ao trabalhar com a ferramenta eléctrica. Não use a ferramenta eléctrica se estiver fatigado ou sob a influência de drogas, álcool ou medicamentos.** Um momento de falta de atenção durante a operação da ferramenta eléctrica pode causar graves lesões.
- b) **Utilizar equipamento de protecção pessoal e sempre óculos de protecção.** A utilização de equipamento de protecção pessoal, como máscara de protecção contra pó, sapatos de segurança antiderrapantes, capacete de segurança ou protecção auricular, de acordo com o tipo e aplicação da ferramenta eléctrica, reduz o risco de lesões.
- c) **Evitar uma colocação em funcionamento involuntária. Assegure-se de que a ferramenta eléctrica esteja desligada, antes de conectá-la à alimentação de rede e/ou ao acumulador, antes de levantá-la ou de transportá-la.** Se tiver o dedo no interruptor ao transportar a ferramenta eléctrica ou se o aparelho for conectado à alimentação de rede enquanto estiver ligado, poderão ocorrer acidentes.
- d) **Remover chaves de ajustes ou chaves de fenda, antes de ligar a ferramenta eléctrica.** Uma chave de fenda ou chave de ajuste que se encontre numa parte móvel do aparelho, pode levar a lesões.
- e) **Não se sobrestime. Mantenha uma posição firme e mantenha sempre o equilíbrio.** Desta forma poderá ser mais fácil controlar o aparelho em situações inesperadas.
- f) **Use roupa apropriada. Não use roupa larga ou jóias. Mantenha o cabelo, roupa e luvas afastadas de partes em movimento.** Roupas largas, jóias ou cabelos longos podem ser agarradas por partes em movimento.

- g) **Se for prevista a montagem de dispositivos de aspiração de pó e de dispositivos de recolha, assegure-se de que estão conectados e que sejam utilizados de forma correcta.** A utilização de uma aspiração de pó pode reduzir o perigo devido ao pó.

### 4) USO E TRATAMENTO DE FERRAMENTAS ELÉCTRICAS

- a) **Não sobrecarregue a ferramenta eléctrica. Use para o seu trabalho a ferramenta eléctrica correcta.** A ferramenta correcta realizará o trabalho de forma melhor e mais segura dentro da faixa de potência indicada.
- b) **Não utilize a ferramenta eléctrica se o interruptor não puder ser ligado nem desligado.** Qualquer ferramenta eléctrica que não possa ser controlada através do interruptor de ligar-desligar, é perigosa e deve ser reparada.
- c) **Puxar a ficha da tomada e/ou remover o acumulador antes de executar ajustes na ferramenta, de substituir acessórios ou de guardar a ferramenta.** Esta medida de segurança evita que a ferramenta eléctrica seja ligada acidentalmente.
- d) **Guarde ferramentas eléctricas que não estiverem sendo utilizadas, for a do alcance de crianças. Não permita que o aparelho seja utilizado por pessoas não familiarizadas com o mesmo ou que não tenham lido estas instruções.** Ferramentas eléctricas são perigosas nas mãos de pessoas sem treinamento.
- e) **Trate a sua ferramenta eléctrica com cuidado. Verifique se as partes móveis do aparelho funcionam perfeitamente e não emperram, se há peças quebradas ou danificadas, que possam influenciar o funcionamento do aparelho. Peças danificadas devem ser reparadas antes da utilização do aparelho.** Muitos acidentes tem como causa uma manutenção insuficiente das ferramentas eléctricas.
- f) **Mantenha as ferramentas de corte sempre afiadas e limpas.** Ferramentas de cortes devidamente tratadas, com cantos afiados travam com menos frequência e podem ser controladas com maior facilidade.
- g) **Use a ferramenta eléctrica, os acessórios os bits da ferramenta etc., de acordo com estas instruções. Considere também as condições de trabalho e o trabalho a ser efectuado.** A utilização da ferramenta eléctrica para outros fins que os previstos, pode resultar em situações perigosas.

### 5) SERVIÇO

- a) **A sua ferramenta eléctrica só deve ser reparada por pessoal qualificado e só devem ser colocadas peças sobressalentes originais.** Desta forma é assegurada a segurança da ferramenta eléctrica.

### INSTRUÇÕES DE SEGURANÇA PARA PISTOLAS DE AR QUENTE

#### ANTES DA UTILIZAÇÃO:

- Verifique o funcionamento da ferramenta antes de cada utilização e, em caso de avaria, leve-a a uma pessoa qualificada para reparação; nunca abra você mesmo a ferramenta
- Inspeccione o fio e a ficha da ferramenta antes de cada utilização e, se eles estiverem danificados, leve-os a uma pessoa qualificada para substituição

- Utilize extensões completamente desenroladas e seguras, com uma capacidade de 16 Amp
- Inspeccione periodicamente a extensão e substitua-a se ela estiver danificada
- Utilize a ferramenta e os acessórios conforme indicado neste manual de instruções e para os fins para os quais a ferramenta foi concebida; a utilização da ferramenta para operações diferentes daquelas que normalmente se espera que a ferramenta execute poderá resultar numa situação de perigo
- Esta ferramenta não deve ser utilizada por pessoas menores de 16 anos
- Esta ferramenta não deve ser utilizada por pessoas (incluindo crianças) com deficiências físicas, sensoriais ou mentais, ou falta de experiência e conhecimentos, excepto se tiverem supervisão ou receberem instrução relacionada com a utilização da ferramenta por uma pessoa responsável pela sua segurança
- Certifique-se sempre de que a tensão de alimentação está de acordo com a tensão indicada na placa de identificação da ferramenta
- Certifique-se de que a ferramenta está desligada antes de colocar a ficha na tomada

#### **DURANTE A UTILIZAÇÃO:**

- **Manuseie a ferramenta com cuidado; evite incêndios e queimaduras**
  - não toque na saída do ar/bico da ferramenta nem no objecto aquecido; eles atingem temperaturas muito altas
  - não coloque a saída do ar/bico da ferramenta demasiado próximo do objecto em que está a trabalhar
  - não oriente o fluxo de ar quente para a mesma superfície por um período de tempo demasiado longo
  - nunca olhe para dentro da saída do ar/ bico da ferramenta
  - use luvas e óculos de protecção
  - nunca oriente o fluxo de ar quente em direcção a pessoas ou animais
  - nunca utilize a ferramenta para secar o cabelo
  - nunca deixe a ferramenta sem vigilância
  - nunca utilize a ferramenta na proximidade de gases inflamáveis ou materiais combustíveis (**risco de explosão**)
  - ao trabalhar com plástico, tinta, verniz e materiais semelhantes, podem ser produzidos gases inflamáveis e tóxicos; informe-se antecipadamente sobre os materiais em que vai trabalhar
  - tenha em consideração o facto de que o calor pode ser transferido para materiais combustíveis que não estejam à vista
  - para mais segurança, tenha sempre à mão um balde de água ou um extintor, para o caso de qualquer material se incendiar
- **Evite choques eléctricos**
  - nunca introduza qualquer objecto pela saída do ar/ bico da ferramenta
  - evite tocar com o corpo em superfícies ligadas à terra (por ex. canos, radiadores, salamandras, frigoríficos)
  - certifique-se de que a ferramenta não apanha água
  - não utilize a ferramenta em locais molhados

- quando utilizar a ferramenta no exterior, ligue-a utilizando um disjuntor de corrente de falha (FI) com uma corrente de disparo de 30 mA no máximo e utilize apenas uma extensão destinada a utilização no exterior e que esteja equipada com uma tomada de união à prova de salpicos
- **Manuseie o fio com cuidado**
  - mantenha sempre o fio afastado do fluxo de ar quente e da saída do ar/bico da ferramenta
  - mantenha o fio afastado de fontes de calor, de óleo e de arestas aguçadas
  - não pegue na ferramenta pelo fio nem puxe pelo fio para tirar a ficha da tomada
  - não pendure a ferramenta suspendendo-a pelo fio
- Nunca utilize a ferramenta em conjunto com solventes químicos
- Certifique-se de que o local de trabalho tem uma ventilação adequada
- Mantenha o local de trabalho limpo e bem iluminado
- Mantenha as crianças afastadas do local de trabalho
- Certifique-se de que as crianças não brincam com a ferramenta
- Os processos de ligação causam durante pouco tempo reduções de tensão; no caso de condições de rede desfavoráveis, podem ocorrer impedimentos devido a outros aparelhos (no caso de impedâncias de rede inferiores a  $0,127 + j0,079$  ohms não é de se esperar quaisquer interferências); se necessita de algum esclarecimento adicional, contacte o seu fornecedor de energia eléctrica
- Mantenha-se vigilante; dê atenção ao que está a fazer, use o seu bom senso e não trabalhe com a ferramenta quando estiver cansado
- Mantenha uma posição segura; não trabalhe em posições de equilíbrio instável, especialmente em escadotes e em plataformas levantadas
- Certifique-se de que a ferramenta está desligada antes de a assentar
- Em caso de anomalias eléctricas ou mecânicas, desligue imediatamente a ferramenta e tire a ficha da tomada

#### **APÓS A UTILIZAÇÃO:**

- Desligue a ferramenta e tire a ficha da tomada
- **Deixe arrefecer a ferramenta durante pelo menos 30 minutos antes de a guardar**
- Pendure a ferramenta pelo anel de suspensão M ② ou descance-a sobre a parte de trás, na vertical; ao fazê-lo, certifique-se de que não há materiais combustíveis ou gases inflamáveis nas áreas mais próximas
- Nunca guarde/deixe a ferramenta no exterior
- Guarde a ferramenta num local seco e seguro, fora do alcance das crianças

### **MANUSEAMENTO**

- Interruptor de ligar/desligar com 2 opções de temperatura ④
- ! **certifique-se de que o interruptor A está na posição “0” antes de colocar a ficha na tomada**
- ligue a ferramenta empurrando o interruptor A para a posição desejada:
  - I = 50°C + fluxo de ar de 250-500 litros/minuto
  - II = 50°C ... 650°C, fluxo de ar de 250-500 litros/minuto

- quando utilizar a ferramenta pela primeira vez, poderá sair algum fumo; isto é normal e em breve deixará de ocorrer
- desligue a ferramenta empurrando o interruptor A para a posição "0"
- Definição de temperatura ⑤
  - defina a temperatura alvo pretendida em passos de 10°C, premindo os botões B brevemente
  - se premir os botões B constantemente, aumenta/ diminui a temperatura alvo continuamente até libertar os botões ou alcançar a temperatura mínima/máxima
  - depois de definir a temperatura alvo, o visor D mostra a subida/descida da temperatura até alcançar a temperatura pretendida (apenas na posição "II")
  - a temperatura alvo será guardada na memória da ferramenta, por isso, após cada comutação, a ferramenta aquece até à última temperatura alvo seleccionada
- Definição do fluxo de ar ⑥
  - defina o fluxo de ar pretendido em passos de 50 l/min, premindo os botões C brevemente
  - o visor D mostra a definição do fluxo de ar actual num gráfico de barras
- Utilização geral
  - decida a temperatura correcta fazendo um teste numa parte da peça a trabalhar que não fique à vista; comece por utilizar uma opção de temperatura baixa
  - a temperatura baixa à medida que a distância entre a saída do ar/bico da ferramenta e a peça a trabalhar aumenta
  - a temperatura necessária depende do material em que está a trabalhar
- Utilização estacionária ⑦
  - assente a ferramenta sobre a parte de trás, na vertical
  - certifique-se de que a superfície está limpa e não tem pó; o ar poluído danifica o motor
  - certifique-se de que o fluxo de ar não está na sua direcção
  - prenda o fio para evitar derrubar a ferramenta
  - não toque na saída do ar/bico da ferramenta
  - certifique-se de que não entra nada para a saída do ar/bico da ferramenta
  - segure a ferramenta com uma mão, com cuidado, enquanto a desliga com a outra e deixe arrefecer a ferramenta
- Utilização em locais de acesso difícil
  - desmonte o anel E ②; o ar passa a sair pela saída metálica sobre uma área maior

**! dê atenção ao facto de que os riscos de incêndio e queimaduras aumentam**
- Segurar e guiar a ferramenta ⑧
  - segure a ferramenta com uma mão
  - mantenha as aberturas de ventilação F ② destapadas
- Acessórios standard ②
  - bico de protecção de vidro G (para deflectir o fluxo de ar)
  - bico chato H (para alargar o fluxo de ar)
  - bico reflector J (para reflectir o fluxo de ar)
  - bico redutor K (para concentrar o fluxo de ar)

## NOTAS:

- todos os exemplos de aplicação (**exceptuando a remoção de tinta de janelas**) podem ser executados sem acessórios; no entanto, a utilização do acessório adequado simplifica o trabalho e melhora significativamente a qualidade dos resultados
- esta ferramenta pode também ser utilizada juntamente com acessórios da BOSCH e outros acessórios disponíveis para pistolas de aquecimento
- Montagem/desmontagem de acessórios
  - monte simplesmente o acessório na saída do ar L ②
  - desmonte um acessório sacando-o pela frente quando tiver arrefecido

**! monte um acessório apenas quando a saída do ar estiver fria, com o interruptor na posição "0" e a ficha fora da tomada**
- Anel de fixação M ④
  - para fácil armazenamento da ferramenta

**! deixe arrefecer a ferramenta durante pelo menos 30 minutos antes de a guardar**
- Controle constante do calor (protecção de sobrecarga)
  - Protege o elemento de aquecimento contra danos quando a ferramenta é submetida a sobrecarga sem ter de parar a ferramenta e/ou deixá-la arrefecer durante algum tempo
  - quando a temperatura atinge um valor demasiado alto, o elemento de aquecimento desliga-se automaticamente enquanto o motor continua a trabalhar e produz ar frio
  - quando a temperatura baixar o suficiente (o que leva apenas alguns segundos), o elemento de aquecimento é automaticamente ligado

**! quando desligar a ferramenta depois de trabalhar com uma definição de alta temperatura e ligar novamente após uma paragem curta, pode demorar algum tempo antes de o elemento de aquecimento atingir a temperatura pretendida**

## CONSELHOS DE APLICAÇÃO

- Remoção de tinta ou laca ⑩
  - utilize uma raspadeira limpa e afiada
  - raspe com firmeza quando a tinta amolecer
  - experimente para determinar o tempo necessário de aplicação do calor para a obtenção dos melhores resultados
  - raspe imediatamente a tinta amolecida, caso contrário ela voltará a endurecer
  - mantenha um ângulo de 30° a 40° entre a ferramenta e a peça em que está a trabalhar
  - remova imediatamente a tinta e os resíduos da raspadeira, para impedir que se incendeiem
  - sempre que possível, raspe ao correr das fibras da madeira
  - não oriente o fluxo de ar quente para a mesma superfície por um período de tempo demasiado longo
  - deite fora todos os resíduos de tinta de forma segura
  - limpe bem a área de trabalho quando terminar

**! tenha cuidado ao remover camadas de tinta em edifícios antigos – anos atrás, o edifício poderá ter sido pintado com tinta que tivesse chumbo, que é extremamente tóxico**

! a exposição ao chumbo, mesmo a níveis muito reduzidos, pode causar graves danos ao cérebro e ao sistema nervoso; são especialmente vulneráveis as crianças mais novas e o feto no ventre materno

! mande remover a tinta que contenha chumbo por um profissional, sem a utilização de uma pistola de ar quente

OUTRO EXEMPLO DE APLICAÇÃO:

- ★ remoção de revestimentos (sintéticos) de parede
  - Remoção de tinta ou laca de janelas ⑪
    - utilize **sempre** o bico de protecção de vidro G quando trabalhar perto de vidro
    - remova a tinta com uma raspadeira de mão
- ! **não utilize a ferramenta para remover tinta em janelas com armação metálica – o metal é condutor de calor, o que poderia levar a que o vidro partisse**

- Remoção de autocolantes (utilize o bico chato H) ⑫
  - muitos adesivos amolecem quando aquecidos, permitindo assim a descolagem e remoção de adesivo excedente

! **aqueça a superfície superior do autocolante**

! **tenha sempre o cuidado de não aquecer demasiado a superfície subjacente**

OUTROS EXEMPLOS DE APLICAÇÃO:

- ★ remoção de revestimentos de linóleo e vinílicos
- ★ remoção de ladrilhos feitos de fibras sintéticas
- ★ remoção de folheados/aplicação de placas de folheado
- ★ amolecer/derreter alcatrão, estanho, betume, cera (utilize o bico chato H)
- ★ encerar (esquis, mobiliário) (utilize o bico chato H) ⑬
- ★ remoção de resina
- ★ desapertar parafusos, porcas e Pernos metálicos enferrujados ou demasiado apertados
- ★ remoção de cera de velas (**não aqueça demasiado a superfície subjacente**)
- ★ reparação de velas partidas / restauração de velas dobradas ao seu formato original
- Fixação termo-retráctil ⑭
  - utilize o bico reflector J ou o bico redutor K
  - seleccione um tubo termo-retráctil com um diâmetro igual ao da peça a trabalhar
  - aqueça uniformemente o tubo termo-retráctil

OUTRO EXEMPLO DE APLICAÇÃO:

- ★ embalagem de filme retráctil
  - Soldagem de canos de água ⑮
    - Esta ferramenta é particularmente adequada para trabalhar com soldas brandas (ponto de fusão abaixo de 400°)
    - utilize o bico reflector J
    - limpe bem ambas as secções da junta antes de soldar
    - pré-aqueça ambas as secções e aplique fio de soldar (**não utilize fio de soldar que contenha chumbo**)
  - Degelar canos de água congelados ⑯
    - utilize o bico reflector J
    - aqueça uniformemente a área congelada
- ! **os canos de água são muitas vezes difíceis de distinguir dos canos de gás; aquecer canos de gás é extremamente perigoso – risco de explosão**

OUTROS EXEMPLOS DE APLICAÇÃO:

- ★ degelar canos de água feitos de PVC (**posição I, máx. 60°C**)
  - ★ degelar fechaduras de automóveis congeladas (**posição I, máx. 60°C**) (utilize o bico redutor K)
  - ★ descongelar frigoríficos (**não danifique a caixa de plástico**)
  - ★ degelar degraus e pavimentos cobertos de gelo
  - Modelar tubos plásticos
    - utilize o bico reflector J
    - encha o tubo de areia e vede-o em ambas as extremidades para evitar que dobre
    - aqueça uniformemente o tubo deslocando-o de um lado para o outro
- OUTROS EXEMPLOS DE APLICAÇÃO:
- ★ modelagem de todos os plásticos com um ponto de fusão baixo (polietileno, PVC, etc.)
  - ★ modelagem de todos os plásticos com um ponto de fusão alto (vidro acrílico, Plexiglas, etc.)
  - ★ modelagem e dobragem de ladrilhos feitos de fibras sintéticas
  - ★ modelagem e dobragem de madeira (construção de modelos)
  - Soldagem de plásticos
    - a costura a soldar deve estar limpa e sem qualquer gordura
    - mantenha a haste de soldar perto da costura a soldar e aplique calor até a haste de soldar ficar pegajosa
    - retire o calor quando a costura a soldar estiver cheia
- OUTROS EXEMPLOS DE APLICAÇÃO:
- ★ reparação de pranchas de surf, esquis e outros equipamentos desportivos sintéticos (utilize o bico chato H)
  - ★ soldagem de materiais PVC
  - ★ alisamento de bolhas após a colagem de etiquetas em PVC
  - ★ junção de manguerias de jardim (utilize o bico reflector J)
  - Secagem
    - ! **seque utilizando apenas a opção de temperatura baixa ou média (posição 1 ou 2) e com uma distância aumentada entre a ferramenta e a peça a trabalhar**
    - secagem de tinta, verniz, gesso, argamassa e estuque
    - secagem de madeira húmida antes da aplicação de aparelho
    - secagem rápida de aparelho ou adesivo aplicado em camada grossa
    - secagem de juntas de construção antes da pulverização de isolamento ou vedantes
    - secagem de juntas e fissuras na construção naval
  - Limpeza/desinfecção
    - desinfecção de coelheiras, pombais, etc. (**retire primeiro os animais**)
    - combate a colónias de formigas
    - combate ao bicho da madeira e ao escaravelho (**mantenha a ferramenta a uma distância adequada relativamente à madeira**)
    - eliminação de ervas daninhas

## MANUTENÇÃO / SERVIÇO

- Esta ferramenta não se destina a utilização profissional
- Mantenha a ferramenta e o fio sempre limpos (especialmente as ranhuras de respiração F ②)
- Nunca utilize líquidos facilmente inflamáveis para limpar a pistola de ar quente em geral e a saída do ar/bico da ferramenta em particular
- Se a ferramenta falhar apesar de cuidadosos processos de fabricação e de teste, a reparação deverá ser executada por uma oficina de serviço autorizada para ferramentas eléctricas SKIL
  - envie a ferramenta **sem desmontar**, juntamente com a prova de compra, para o seu revendedor ou para o centro de assistência SKIL mais próximo (os endereços assim como a mapa de peças da ferramenta estão mencionados no [www.skil.com](http://www.skil.com))

## AMBIENTE

- **Não deite ferramentas eléctricas, acessórios e embalagem no lixo doméstico** (apenas para países da UE)
  - de acordo com a directiva europeia 2012/19/CE sobre ferramentas eléctricas e electrónicas usadas e a transposição para as leis nacionais, as ferramentas eléctricas usadas devem ser recolhidas em separado e encaminhadas a uma instalação de reciclagem dos materiais ecológica
  - símbolo ⑰ lhe avisará em caso de necessidade de arranja-las

## DECLARAÇÃO DE CONFORMIDADE CE

- Declaramos sob nossa exclusiva responsabilidade que o produto descrito em “Dados técnicos” cumpre as seguintes normas ou documentos normativos: EN 60335, EN 61000, EN 55014, conforme as disposições das directivas 2006/95/CE, 2004/108/CE, 2011/65/UE
- **Processo técnico em:** SKIL Europe BV (PT-SEU/ENG1), 4825 BD Breda, NL

Marijn van der Hoofden  
Operations & Engineering

Olaf Dijkgraaf  
Approval Manager

SKIL Europe BV, 4825 BD Breda, NL

03.09.2014

CE11

I

## Pistola termica

8004

## INTRODUZIONE

- Questo utensile serve per sverniciare, per la formatura e la saldatura della plastica, e per il riscaldamento di tubi restringitivi al calore; esso serve anche per la saldatura la stagnatura, per lo scioglimento di giunti adesivi e lo disgelo di tubi dell'acqua

- Questo utensile non è inteso per un uso professionale
- Leggete e conservate questo manuale di istruzione ③

## DATI TECNICI ①

### ELEMENTI UTENSILE ②

- A** Interruttore di acceso/spento
- B** Pulsanti per l'impostazione della temperatura
- C** Pulsanti per impostare il flusso dell'aria
- D** Display (LCD)
- E** Anello protettivo
- F** Feritoie di ventilazione
- G** Ugello di protezione dal vetro
- H** Ugello piatto
- J** Ugello riflettore
- K** Ugello di riduzione
- L** Uscita/ugello aria
- M** Anello di sospensione

## SICUREZZA

### ISTRUZIONI GENERALI DI SICUREZZA

**⚠ ATTENZIONE! Leggere tutte le avvertenze di pericolo e le istruzioni operative.** In caso di mancato rispetto delle avvertenze di pericolo e delle istruzioni operative si potrà creare il pericolo di scosse elettriche, incendi e/o incidenti gravi. **Conservare tutte le avvertenze di pericolo e le istruzioni operative per ogni esigenza futura.** Il termine “elettroutensile” utilizzato nelle avvertenze di pericolo si riferisce ad utensili elettrici alimentati dalla rete (con linea di allacciamento) ed ad utensili elettrici alimentati a batteria (senza linea di allacciamento).

### 1) SICUREZZA DELLA POSTAZIONE DI LAVORO

- Mantenere pulito ed ordinato il posto di lavoro.** Il disordine o le zone di lavoro non illuminate possono essere fonte di incidenti.
- Evitare d'impiegare l'utensile in ambienti soggetti al rischio di esplosioni nei quali si trovino liquidi, gas o polveri infiammabili.** Gli utensili elettrici producono scintille che possono far infiammare la polvere o i gas.
- Mantenere lontani i bambini ed altre persone durante l'impiego dell'utensile elettrico.** Eventuali distrazioni potranno comportare la perdita del controllo sull'utensile.

### 2) SICUREZZA ELETTRICA

- La spina per la presa di corrente dovrà essere adatta alla presa. Evitare assolutamente di apportare modifiche alla spina. Non impiegare spine adattatrici assieme ad utensili con collegamento a terra.** Le spine non modificate e le prese adatte allo scopo riducono il rischio di scosse elettriche.
- Evitare il contatto fisico con superfici collegate a terra, come tubi, riscaldamenti, cucine elettriche e frigoriferi.** Sussiste un maggior rischio di scosse elettriche nel momento in cui il corpo è messo a massa.
- Custodire l'utensile al riparo dalla pioggia o dall'umidità.** L'eventuale infiltrazione di acqua in un utensile elettrico va ad aumentare il rischio d'insorgenza di scosse elettriche.



- d) **Non usare il cavo per scopi diversi da quelli previsti al fine di trasportare o appendere l'utensile, oppure di togliere la spina dalla presa di corrente. Mantenere l'utensile al riparo da fonti di calore, dall'olio, dagli spigoli o da pezzi in movimento.** I cavi danneggiati o aggrovigliati aumentano il rischio d'insorgenza di scosse elettriche.
- e) **Qualora si voglia usare l'utensile all'aperto, impiegare solo ed esclusivamente cavi di prolunga omologati per l'impiego all'esterno.** L'uso di un cavo di prolunga omologato per l'impiego all'esterno riduce il rischio di insorgenza di scosse elettriche.
- f) **Qualora non fosse possibile evitare di utilizzare l'utensile in ambiente umido, utilizzare un interruttore di messa a terra.** L'uso di un interruttore di messa a terra riduce il rischio di una scossa elettrica.
- 3) SICUREZZA DELLE PERSONE**
- a) **È importante concentrarsi su ciò che si sta facendo e a maneggiare con giudizio l'utensile durante le operazioni di lavoro. Non utilizzare l'utensile in caso di stanchezza o sotto l'effetto di droghe, bevande alcoliche e medicinali.** Un attimo di distrazione durante l'uso dell'utensile potrà causare lesioni gravi.
- b) **Indossare sempre equipaggiamento protettivo individuale. Usare sempre protezioni per gli occhi.** Se si avrà cura d'indossare equipaggiamento protettivo individuale come la maschera antipolvere, la calzatura antistrucchiolevole di sicurezza, il casco protettivo o la protezione dell'udito, a seconda dell'impiego previsto per l'utensile elettrico, si potrà ridurre il rischio di ferite.
- c) **Evitare l'accensione involontaria dell'utensile. Prima di collegarlo alla rete di alimentazione elettrica e/o alla batteria ricaricabile, prima di prenderlo oppure prima di iniziare a trasportarlo, assicurarsi che l'utensile sia spento.** Tenendo il dito sopra l'interruttore mentre si trasporta l'utensile oppure collegandolo all'alimentazione di corrente con l'interruttore inserito, si vengono a creare situazioni pericolose in cui possono verificarsi seri incidenti.
- d) **Togliere gli attrezzi di regolazione o la chiave inglese prima di accendere l'utensile.** Un utensile o una chiave inglese che si trovino in una parte dell'utensile in rotazione potranno causare lesioni.
- e) **È importante non sopravvalutarsi. Avere cura di mettersi in posizione sicura e di mantenere l'equilibrio.** In tale maniera sarà possibile controllare meglio l'utensile in situazioni inaspettate.
- f) **Indossare vestiti adeguati. Evitare di indossare vestiti lenti o gioielli. Tenere i capelli, i vestiti ed i guanti lontani da pezzi in movimento.** Vestiti lenti, gioielli o capelli lunghi potranno impigliarsi in pezzi in movimento.
- g) **Se sussiste la possibilità di montare dispositivi di aspirazione o di captazione della polvere, assicurarsi che gli stessi siano stati installati correttamente e vengano utilizzati senza errori.** L'utilizzo di un'aspirazione polvere può ridurre lo svilupparsi di situazioni pericolose dovute alla polvere.
- 4) MANEGGIO ED IMPIEGO ACCURATO DI UTENSILI ELETTRICI**
- a) **Non sovraccaricare l'utensile. Impiegare l'utensile elettrico adatto per sbrigare il lavoro.** Utilizzando

l'utensile elettrico adatto si potrà lavorare meglio e con maggior sicurezza nell'ambito della gamma di potenza indicata.

- b) **Non utilizzare utensili elettrici con interruttori difettosi.** Un utensile elettrico che non si può più accendere o spegnere è pericoloso e dovrà essere riparato.
- c) **Prima di procedere ad operazioni di regolazione sull'utensile, prima di sostituire parti accessorie oppure prima di posare l'utensile al termine di un lavoro, estrarre sempre la spina dalla presa della corrente e/o estrarre la batteria ricaricabile.** Tale precauzione eviterà che l'utensile possa essere messo in funzione inavvertitamente.
- d) **Custodire gli utensili elettrici non utilizzati al di fuori della portata dei bambini. Non fare usare l'utensile a persone che non sono abituate ad usarlo o che non abbiano letto le presenti istruzioni.** Gli utensili elettrici sono pericolosi se utilizzati da persone inesperte.
- e) **Effettuare accuratamente la manutenzione dell'utensile. Verificare che le parti mobili dell'utensile funzionino perfettamente e non s'inceppino, che non ci siano pezzi rotti o danneggiati al punto tale da limitare la funzione dell'utensile stesso. Far riparare le parti danneggiate prima d'impiegare l'utensile.** Numerosi incidenti vengono causati da utensili elettrici la cui manutenzione è stata effettuata poco accuratamente.
- f) **Mantenere affilati e puliti gli utensili da taglio.** Gli utensili da taglio curati con particolare attenzione e con taglienti affilati s'inceppano meno frequentemente e sono più facili da condurre.
- g) **Utilizzare utensili elettrici, accessori, attrezzi, ecc. in conformità con le presenti istruzioni. Osservare le condizioni di lavoro ed il lavoro da eseguirsi durante l'impiego.** L'impiego di utensili elettrici per usi diversi da quelli consentiti potrà dar luogo a situazioni di pericolo.
- 5) ASSISTENZA**
- a) **Fare riparare l'utensile solo ed esclusivamente da personale specializzato e solo impiegando pezzi di ricambio originali.** In tale maniera potrà essere salvaguardata la sicurezza dell'utensile.

## ISTRUZIONI DI SICUREZZA PER PISTOLI TERMICI

### PRIMA DELL'USO

- Controllare il funzionamento dell'utensile prima di ogni volta che si deve usare, in caso di un difetto, farlo riparare immediatamente da una persona qualificata; non aprire mai l'utensile da se stessi
- Esaminare il cavo dell'utensile e della spina prima dell'uso e, se danneggiato, farli sostituire da una persona qualificata
- Usare cavi di prolunga completamente srotolati e sicure con una capacità di 16 Amp
- Esaminare il cavo di prolunga periodicamente e, se danneggiato, sostituirlo
- Usare l'utensile ed i suoi accessori secondo questo manuale di istruzioni e nel modo inteso per l'utensile; l'utilizzo dell'utensile per operazioni diverse da quelle normalmente previste per l'uso dell'utensile, potrebbe causare delle situazioni pericolose

- Questo utensile non dev'essere utilizzato da persone di età inferiore ai 16 anni
- Questo utensile non deve essere usato da persone (compresi i bambini) con ridotte capacità fisiche, sensoriali e mentali o con scarsa esperienza e conoscenza specifiche, a meno che le stesse non operino sotto la supervisione di una persona responsabile della loro sicurezza o siano state da essa istruite sull'utilizzo dell'utensile
- Controllare che la tensione dell'alimentazione sia la stessa di quella indicata sulla targhetta dell'utensile
- Assicurarsi che l'utensile sia spento quando si inserisce alla rete

#### **DURANTE L'USO:**

##### **Maneggiare l'utensile con cura; prevenire incendi e scottature**

- non toccare l'uscita/ugello dell'aria e l'oggetto riscaldato; questi diventano estremamente scottanti
- non tenere l'uscita/ugello dell'aria troppo vicino all'oggetto in lavorazione
- non dirigere il flusso dell'aria calda verso la stessa superficie troppo a lungo
- non guardare mai dentro l'uscita/ugello
- indossare guanti di protezione ed occhiali di sicurezza
- non dirigere mai il flusso dell'aria scottante verso persone o animali
- non usare mai l'utensile per asciugare i capelli
- non lasciare l'utensile incustodito
- non usare mai l'utensile nelle vicinanze di gas o materiali infiammabili (**rischio d'esplosione**)
- quando si lavora con la plastica, vernice e simili materiali, si potrebbero produrre dei gas infiammabili e velenosi; informarsi prima il tipo di materiale su cui lavorare
- fare attenzione che il calore può essere trasferito a materiali infiammabili fuori vista
- per misura di sicurezza, tenere un secchio d'acqua oppure un estintore a portata di mano, in caso qualche materiale si incendia
- **Prevenire scosse elettriche**
  - non infilare mai niente nell'uscita/ugello dell'aria
  - evitare il contatto del corpo con superfici collegate a massa (es. tubi, radiatori, stufe, frigoriferi)
  - assicurarsi l'utensile non venga bagnato
  - non usare l'utensile in posti umidi
  - quando usato all'esterno, collegare l'utensile ad un interruttore automatico di rete (FI) con una corrente di scatto di 30 mA massimo, ed usare solamente il cavo di prolunga inteso per uso esterno e munito di una presa antispruzzo.
- **Maneggiare il cavo con cura**
  - tenere sempre distante il cavo dal flusso dell'aria scottante e dall'uscita/ugello dell'aria
  - tenere il cavo distante dal calore, dall'olio e da bordi taglienti
  - non trasportare l'utensile tenendolo per il cavo, e non tirare il cavo per scollegare la spina
  - non sospendere l'utensile dal cavo
- Non usare mai l'utensile assieme a solventi chimici
- Assicurarsi che l'area di lavoro sia ventilata adeguatamente
- Tenere l'area di lavoro pulita e ben illuminata

- Tenere i bambini distanti dall'area di lavoro
- Assicurarsi che i bambini non giochino con l'utensile
- Le operazioni di accensione producono temporanei abbassamenti di tensione; in caso di reti di alimentazioni che non siano in condizioni ottimali può capitare che altre macchine possano subire dei disturbi (in caso di impedenze di rete minori di 0,127 + j0,079 Ohm non ci si aspetta nessun disturbo); per ulteriori chiarimenti, contattare la vostra società fornitrice di energia elettrica
- Rimanere all'erta; fare attenzione a ciò che si sta facendo, usare buon senso e non adoperare l'utensile quando si è stanchi
- Prendere una posizione sicura; non sporgersi, specialmente da una scala e impalcature
- Assicurarsi che l'utensile sia spento, prima di metterlo da parte
- Nel caso di cattivo funzionamento elettrico o meccanico, spegnete subito l'utensile e staccate la spina

#### **DOPO L'USO:**

- Spegner l'utensile e scollegare la spina
- **Lasciare che l'utensile si raffreddi per almeno 30 minuti prima di conservarlo**
- Sospendere l'utensile sull'anello M ② per appendere o poggiarlo sul retro in una posizione verticale; quando si fa ciò, assicurarsi che nelle vicinanze non siano materiali o gas infiammabili
- Non conservare/lasciare l'utensile all'esterno
- Conservare l'utensile in un posto asciutto e chiuso a chiave, distante dalla portata dei bambini

## **USO**

- L'interruttore On/Off con 2 settaggi di temperatura ④
  - ! **controllare che l'interruttore A sia alla posizione "0" prima di inserire la spina**
  - accendere l'utensile spingendo l'interruttore A nella posizione desiderata
    - I = 50°C + flusso aria 250-500 litri/minuto
    - II = 50°C ... 650°C, flusso aria 250-500 litri/minuto
  - quando si usa per la prima volta, del fumo potrebbe uscire dall'utensile; questo è normale e subito cesserà
  - spegnere l'utensile spingendo l'interruttore A alla posizione "0"
- Impostazione temperatura ⑤
  - impostare la temperatura di arrivo desiderata con incrementi da 10°C premendo brevemente i pulsanti B
  - la pressione dei pulsanti B aumenta/riduce costantemente la temperatura di arrivo finché non si rilassano i pulsanti oppure si raggiunge la temperatura minima/massima
  - dopo aver impostato la temperatura di arrivo, il display D visualizza la temperatura corrente in aumento/diminuzione finché non si raggiunge la temperatura desiderata (solamente alla posizione "II")
  - la temperatura di arrivo viene memorizzata nelle memoria dell'utensile, in modo che ad ogni accensione l'utensile si riscalda fino all'ultima temperatura di arrivo selezionata
- Impostazioni del flusso dell'aria ⑥
  - impostare il flusso dell'aria desiderato con incrementi di 50 l/m premendo brevemente i pulsanti C
  - il display D visualizza il flusso dell'aria corrente in un grafico a barre

- **Uso generale**
  - determinare la giusta temperatura facendo delle prove su una parte nascosta del pezzo da lavorare; iniziare con un livello di settaggio basso della temperatura
  - la temperatura diminuisce man mano che la distanza tra l'uscita/ugello dell'aria ed il pezzo da lavorare aumenta
  - la temperatura richiesta dipende da materiale da lavorare
- **Uso stazionari ⑦**
  - poggiare l'utensile a terra sul retro in posizione verticale
  - assicurarsi che la superficie sia pulita e senza polvere; l'aria inquinata danneggia il motore
  - assicurarsi che il flusso dell'aria sia diretto lontano da se stessi
  - fissare il cavo per impedire che tiri giù l'utensile
  - non toccare l'uscita/ugello dell'aria
  - assicurarsi che non cada niente nell'uscita/ugello
  - tenere cautamente l'utensile con una mano mentre lo si spegne con l'altra mano, e poi lasciarlo raffreddare
- **Uso su posizioni difficili da raggiungere**
  - togliere l'anello E ②, rilasciando così l'uscita di metallo dell'aria per una maggiore distanza

**! fare attenzione ai maggiorati rischi di incendio e bruciatura**

- **Tenuta e guida dell'utensile ⑧**
  - tenere l'utensile con una mano
  - tenere scoperte le feritoie di ventilazione F ②
- **Accessori standard ②**
  - ugello G di protezione dal vetro (per deviare il flusso dell'aria)
  - ugello piatto H (per allargare il flusso dell'aria)
  - ugello riflettore J (per riflessione del flusso dell'aria)
  - ugello di riduzione K (per concentrare il flusso dell'aria)

**NOTE:**

- tutti gli esempi delle applicazioni (**eccetto la sverniciatura dalle finestre**) possono essere effettuate senza accessori; tuttavia, usando l'appropriato accessorio semplifica il lavoro e migliora significativamente la qualità dei risultati
- quest'utensile può essere utilizzato anche in combinazione con gli accessori BOSCH e altri accessori disponibili per pistole termiche
- **Montaggio/smontaggio degli accessori**
  - montare semplicemente l'accessorio sull'uscita dell'aria L ②
  - togliere l'accessorio tirandolo via verso la parte anteriore dopo che si è raffreddato
- ! montare un accessorio solo quando l'uscita dell'aria si è raffreddata, quando l'interruttore è alla posizione "0" e quando la spina è scollegata**
- **Anello di sospensione M ③**
  - per una semplice conservazione dell'utensile
  - ! lasciare che l'utensile si raffreddi per almeno 30 minuti prima di conservarlo**
- **Controllo costante del calore (protezione da sovraccarico)**

Protegge l'elemento di riscaldamento da danni quando l'utensile si sovraccarica senza doverlo fermare e/o lasciarlo raffreddare per un periodo di tempo

- quando la temperatura diventa troppo alta, l'elemento di riscaldamento si spegne, mentre il motore continua a girare e produce aria fredda
- quando la temperatura si è abbassata sufficientemente (in appena pochi secondi), l'elemento di riscaldamento si accende automaticamente
- ! quando l'utensile viene spento dopo aver lavorato ad alte temperature e viene riacceso dopo una breve pausa, può essere necessario aspettare che l'elemento di riscaldamento raggiunga la temperatura desiderata**

## CONSIGLIO PRATICO

- **Rimozione di vernice/lacca ⑩**
  - usare un raschiatoio pulito e tagliente
  - quando la vernice si ammorbidisce, raschiare con fermezza
  - sperimentare per stabilire il tempo necessario per applicare il calore per ottenere ottimi risultati
  - raschiare immediatamente la vernice ammorbidita, altrimenti si indurirebbe nuovamente
  - mantenere un angolo di 30° a 40° tra l'utensile ed il pezzo in lavorazione
  - togliere immediatamente la vernice ed i detriti dal raschiatoio per impedire che si incendiano
  - raschiare nella direzione del grano del legno, dovunque possibile
  - non dirigere il flusso dell'aria calda verso la stessa superficie troppo a lungo
  - smaltire con sicurezza tutti i detriti di vernice
  - pulire accuratamente l'area di lavoro dopo aver completato il lavoro
- ! fare attenzione quando si rimuovono strati di vernice di vecchia data in edifici vecchi; in passato l'edificio potrebbe essere stato verniciato con vernice che conteneva piombo, che è altamente velenoso**
- ! esposizione anche a piccoli livelli di piombo potrebbe causare seri danni al sistema nervoso e cerebrali; bambini piccoli e ancora nati sono particolarmente vulnerabili**
- ! far eliminare vernice a base di piombo da una persona specializzata senza l'uso della pistola termica**
- ALTRO ESEMPIO DI APPLICAZIONI:**
- ★ **rimozione di parati (sintetici) da pareti**
- **Rimozione di vernice/lacca da finestre ⑪**
  - usare **sempre** ugello G di protezione da vetro quando si lavora nelle vicinanze di vetri
  - togliere la vernice con un raschiatori a mano
  - ! non usare l'utensile per rimuovere vernice da finestre con telai di metallo; il metallo è conduttore di calore e potrebbe causare la rottura del vetro**
- **Rimozione di adesivi (usare l'ugello piatto H) ⑫**
  - molti adesivi si ammorbidiscono col calore consentendo di separare gli attacchi di adesivi e la rimozione degli stessi
  - ! applicare il calore sulla parte superiore degli adesivi**
  - ! aver sempre cura di non surriscaldare la superficie sottostante**

#### ALTRI ESEMPI DI APPLICAZIONI:

- ★ rimozione di linoleum e vinili dai pavimenti
  - ★ rimozione di 'mattonelle' di moquette di fibra sintetica
  - ★ rimozione/applicazione di strisce di impiallacciatura
  - ★ ammorbidimento/scioglimento di catrame, stagno, bitume, cera (usare l'ugello piatto H)
  - ★ applicazione di cera (sci, mobili) (usare ugello piatto H) <sup>(13)</sup>
  - ★ rimozione di resina
  - ★ allentamento di viti di metallo arrugginite/serrate troppo forte, dadi e bulloni
  - ★ rimozione di cera da candele (**non surriscaldare la superficie sottostante**)
  - ★ riparazione candele rotte/restauro delle candele storte per riportarle alla loro forma originale
  - Avvolgimento con pellicole retrattili <sup>(14)</sup>
    - usare l'ugello J riflettore oppure quello di riduzione
    - selezionare un tubo di avvolgimento di pellicola retrattili con un diametro adatto a quello del pezzo di lavorazione
    - riscaldare uniformemente il tubo di pellicola retrattile
- #### ALTRO ESEMPIO DI APPLICAZIONI:
- ★ avvolgimento con pellicole retrattili
  - Saldatura dei tubi dell'acqua <sup>(15)</sup>

Questo utensile è molto adatto per lavorare con stagno morbido (punto di fusione inferiore a 400°)

    - usare l'ugello riflettore J
    - pulire accuratamente entrambe le sezioni di giuntura prima della saldatura
    - riscaldare entrambe le sezioni ed applicare il filo dello stagno (**non usare il filo dello stagno a base di piombo**)

- Disgelo di tubi dell'acqua congelati <sup>(16)</sup>

- usare l'ugello riflettore J
  - riscaldare l'area congelata in modo pari
- ! i tubi dell'acqua spesso sono difficili da distinguere dai tubi del gas; riscaldare i tubi del gas è estremamente pericoloso - rischio d'esplosione**

#### ALTRI ESEMPI DI APPLICAZIONI:

- ★ disgelo di tubi dell'acqua di PVC (**posizione I, max. 60°C**)
- ★ disgelo di serratura di automobili congelati (**posizione I, max. 60°C**) (usare l'ugello di riduzione K)
- ★ decongelamento di congelatori (**non usare sedi di plastica**)
- ★ disgelo di scalini e marciapiedi coperti di ghiaccio
- Formatura dei tubi di plastica
  - usare l'ugello riflettore J
  - riempire il tubo di sabbia e sigillarlo ad entrambe le estremità, onde evitare piegatura del tubo
  - riscaldare il tubo in mod pari muovendo da un lato all'altro

#### ALTRI ESEMPI DI APPLICAZIONI:

- ★ formatura di tutta la plastica a basso punto di fusione (polietilene, PVC ecc.)
- ★ formature di tutta la plastica con un alto punto di fusione (vetro acrilico, Plexiglass, ecc.)
- ★ formature e piegatura di 'mattonelle' di moquette prodotte con fibra sintetica
- ★ formature e piegatura del legno (costruzione di modelli)

- Saldatura della plastica
  - la linea di saldatura deve essere pulita e priva di grasso
  - tenere la bacchetta di saldatura vicino alla linea di saldatura ed applicare il calore, fino a quando la bacchetta di saldatura diventa appiccicosa
  - togliere il calore, una volta che la linea di saldatura si è riempita

#### ALTRI ESEMPI DI APPLICAZIONI:

- ★ riparazioni di tavole per surfing, sci ed altri oggetti sintetici sportivi (usare l'ugello piatto H)
- ★ saldatura di materiali in PVC
- ★ lisciamiento i blister dopo aver applicato l'etichetta
- ★ collegamento di tubi flessibili da giardino (usare l'ugello riflettore J)
- Essiccazione
  - ! essiccare solamente ad impostazione di bassa o media temperatura (posizione 1 o 2) e con un aumento di distanza tra l'utensile ed il pezzo in lavorazione**
  - essiccamento di vernice, gesso, calce e intonaco
  - essiccamento di legno bagnato prima del riempimento
  - essiccamento rapido di materiale di riempimento o adesivi applicati abbondantemente
  - essiccamento tra i giunti di uno stabile prima di applicare isolamento o sigillante
  - essiccamento giunti e lesioni nella costruzione di barche
- Pulire/disinfettare
  - disinfezione gabbie di conigli, colombaie ecc. (**togliere prima l'animale**)
  - eliminazione colonie di formiche
  - eliminazione di tarli e scarafaggi da legno (**tenere l'utensile ad una distanza adeguata dal legno**)
  - eliminazione di erbacce

## MANUTENZIONE / ASSISTENZA

- Questo utensile non è inteso per un uso professionale
- Tenete sempre puliti utensile e cavo (soprattutto le feritoie di ventilazione F <sup>(2)</sup>)
- Non usare mai liquidi facilmente infiammabili per pulire la pistola termica in generale e l'uscita/ugello in particolare
- Se nonostante gli accurati procedimenti di produzione e di controllo l'utensile dovesse guastarsi, la riparazione va fatta effettuare da un punto di assistenza autorizzato per gli elettrooutensili SKIL
  - inviare l'utensile **non smontato** assieme alle prove di acquisto al rivenditore oppure al più vicino centro assistenza SKIL (l'indirizzo ed il disegno delle parti di ricambio dell'utensile sono riportati su [www.skil.com](http://www.skil.com))

## TUTELA DELL'AMBIENTE

- **Non gettare l'utensile elettrico, gli accessori e l'imballaggio tra i rifiuti domestici** (solo per paesi UE)
  - secondo la Direttiva Europea 2012/19/CE sui rifiuti di utensili elettrici ed elettronici e la sua attuazione in conformità alle norme nazionali, gli utensili elettrici esausti devono essere raccolti separatamente, al fine di essere reimpiegati in modo eco-compatibile
  - il simbolo <sup>(17)</sup> vi ricorderà questo fatto quando dovrete eliminarle

# DICHIARAZIONE DEI CONFORMITÀ CE

- Assumendone la piena responsabilità, dichiariamo che il prodotto descritto nei "Dati tecnici" è conforme alle seguenti normative ed ai relativi documenti: EN 60335, EN 61000, EN 55014 in base alle prescrizioni delle direttive 2006/95/EG, 2004/108/EG, 2011/65/UE
- Fascicolo tecnico presso:** SKIL Europe BV (PT-SEU/EN G1), 4825 BD Breda, NL

Marijn van der Hoofden  
Operations & Engineering

Olaf Dijkgraaf  
Approval Manager

SKIL Europe BV, 4825 BD Breda, NL

03.09.2014

CE11

H

## Hőlégfűvő

8004

### BEVEZETÉS

- Ez a szerszám festékek eltávolítására, műanyagok formázására és hegesztésére, és hőtől zsugorodó csövezetek melegítésére készült; továbbá alkalmas forrasztásra, ónozásra, ragasztott kötésekre megglazítására, és vízvezeték jégtelenítésére
- A szerszám nem professzionális használatra készült
- Olvassa el figyelmesen és őrizze meg a használati utasítást ③

### MŰSZAKI ADATOK ①

### SZERSZÁMGÉP ELEMEI ②

- A Be/ki kapcsológomb
- B Nyomógombok a hőmérséklet beállításához
- C A légáramlás intenzitását szabályozó gombok
- D Kijelző (LCD)
- E Védőgyűrű
- F Szellőzőnyílások
- G Üvegvédő fűvóka
- H Lapos fűvóka
- J Reflektor fűvóka
- K Csökkentő fűvóka
- L Légkifúvó nyílás/ fűvóka
- M akasztógyűrű

### BIZTONSÁG

#### ÁLTALÁNOS BIZTONSÁGI ELŐÍRÁSOK

**FIGYELEM!** Olvassa el az **összes biztonsági figyelmeztetést és előírást**. A következőkben leírt előírások betartásának elmulasztása áramütésekhez, tűzhez és/vagy súlyos testi sérülésekhez vezethet. **Kérjük a későbbi használatra gondosan őrizze meg ezeket az előírásokat**. Az alább alkalmazott elektromos kéziszerszám fogalom a hálózati elektromos kéziszerszámokat (hálózati

csatlakozó kábel) és az akkumulátoros elektromos kéziszerszámokat (hálózati csatlakozó kábel nélkül) foglalja magában.

#### 1) MUNKAHELYI BIZTONSÁG

- Tartsa tisztán és tartsa rendben a munkahelyét.**  
Rendetlen munkahelyek vagy megvilágítatlan munkaterületek balesetekhez vezethetnek.
- Ne dolgozzon az elektromos kéziszerszámmal olyan robbanásveszélyes környezetben, ahol éghető folyadékok, gázok vagy porok vannak.** Az elektromos kéziszerszámok szikrákat bocsáthatnak ki, amelyek meggyújthatják a port vagy a gőzöket.
- Tartsa távol a gyerekeket és az idegen személyeket a munkahelytől, ha az elektromos kéziszerszámot használja.** Ha elvonják a figyelmét a munkától, könnyen elvesztheti az uralmát a berendezés felett.

#### 2) ELEKTROMOS BIZTONSÁGI ELŐÍRÁSOK

- A készülék csatlakozó dugójának bele kell illeszkednie a dugaszolóaljzatba. A csatlakozó dugót semmilyen módon sem szabad megváltoztatni. Védőföldeléssel ellátott készülékekkel kapcsolatban ne használjon csatlakozó adaptert.** A változtatás nélküli csatlakozó dugók és a megfelelő dugaszoló aljzatok csökkentik az áramütés kockázatát.
- Ne érjen hozzá földelt felületekhez, mint csövekhez, fűtőtestekhez, kályhákhöz és hűtőszekrényekhez.** Az áramütési veszély megnövekszik, ha a teste le van földelve.
- Tartsa távol az elektromos kéziszerszámot az esőtől és a nedvesség hatásaitól.** Ha víz hatol be egy elektromos kéziszerszámba, ez megnöveli az áramütés veszélyét.
- Ne használja a kábelt a rendeltetésétől eltérő célokra, vagyis a szerszámot soha ne hordozza vagy akassza fel a kábelnél fogva, és soha ne húzza ki a hálózati csatlakozó dugót a kábelnél fogva.** Tartsa távol a kábelt hőforrásoktól, olajtól, éles élektől, sarkaktól és mozgó gépalkatrészekről. Egy megrongálódott vagy csomókkal teli kábel megnöveli az áramütés veszélyét.
- Ha egy elektromos kéziszerszámmal a szabad ég alatt dolgozik, csak a szabadban való használatra engedélyezett hosszabbítót használjon.** A szabadban való használatra engedélyezett hosszabbító használata csökkenti az áramütés veszélyét.
- Ha nem lehet elkerülni az elektromos kéziszerszám nedves környezetben való használatát, alkalmazzon egy földzárlat megszakítót.** Egy földzárlat megszakító alkalmazása csökkenti az áramütés kockázatát.

#### 3) SZEMÉLYI BIZTONSÁGI ELŐÍRÁSOK

- Munka közben mindig figyeljen, ügyeljen arra, amit csinál, és meggondoltan dolgozzon az elektromos kéziszerszámmal. Ha fáradt, ha kábítószerek vagy alkohol hatása alatt áll, vagy orvosságokat vett be, ne használja a berendezést.** A berendezéssel végzett munka közben már egy pillanatnyi figyelmetlenség is komoly sérülésekhez vezethet.
- Viseljen személyi védőfelszerelést és mindig viseljen védőszemüveget.** A személyi védőfelszerelések, mint porvédő álarc, csúszásbiztos

védőcipő, védősapka és fülvédő használata az elektromos kéziszerszám használata jellegének megfelelően csökkenti a személyes sérülések kockázatát.

- c) **Kerülje el a készülék akaratlan üzembe helyezését. Győződjön meg arról, hogy az elektromos kéziszerszám ki van kapcsolva, mielőtt bedugná a csatlakozó dugót a dugaszolóaljzatba, csatlakoztatná az akkumulátor-csomagot, és mielőtt felvenné és vinni kezdené az elektromos kéziszerszámot.** Ha az elektromos kéziszerszám felemelése közben az újjat a kapcsolón tartja, vagy ha a készüléket bekapcsolt állapotban csatlakoztatja az áramforráshoz, ez balesetekhez vezethet.
- d) **Az elektromos kéziszerszám bekapcsolása előtt okvetlenül távolítsa el a beállító szerszámokat vagy csavarkulcsokat.** Az elektromos kéziszerszám forgó részeiben felejtett beállító szerszám vagy csavarkulcs sérüléseket okozhat.
- e) **Ne bec sülje túl önmagát. Kerülje el a normálistól eltérő tesztartást, ügyeljen arra, hogy mindig biztosan álljon és az egységüllyt megtartsa.** Így az elektromos kéziszerszám felett váratlan helyzetekben is jobban tud uralkodni.
- f) **Viseljen megfelelő ruhát. Ne viseljen bő ruhát vagy ékszereket. Tartsa távol a haját, a ruháját és a kesztyűjét a mozgó részeketől.** A bő ruhát, az ékszereket és a hosszú haját a mozgó alkatrészek magukkal ránthatják.
- g) **Ha az elektromos kéziszerszámra fel lehet szerelni a por elszívásához és összegyűjtéséhez szükséges berendezéseket, ellenőrizze, hogy azok megfelelő módon hozzá vannak kapcsolva a készülékhez és rendeltetésüknek megfelelően működnek.** A porgyűjtő berendezések használata csökkenti a munka során keletkező por veszélyes hatását.
- 4) AZ ELEKTROMOS KÉZISZERSZÁMOK GONDOS KEZELÉSE ÉS HASZNÁLATA**
- a) **Ne terhelje túl az elektromos kéziszerszámot. A munkájához csak az arra szolgáló elektromos kéziszerszámot használja.** Egy alkalmas elektromos kéziszerszámmal a megadott teljesítménytartományon belül jobban és biztonságosabban lehet dolgozni.
- b) **Ne használjon olyan elektromos kéziszerszámot, amelynek a kapcsolója elromlott.** Egy olyan elektromos kéziszerszám, amelyet nem lehet sem be-, sem kikapcsolni, veszélyes és meg kell javíttatni.
- c) **Húzza ki a csatlakozó dugót a dugaszolóaljzataból és/vagy az akkumulátor-csomagot az elektromos kéziszerszámból, mielőtt az elektromos kéziszerszámon beállítási munkákat végez, tartozékokat cserél vagy a szerszámot tárolásra elteszi.** Ez az elővigyázatossági intézkedés meggátolja a szerszám akaratlan üzembe helyezését.
- d) **A használaton kívüli elektromos kéziszerszámokat olyan helyen tárolja, ahol azokhoz gyerekek ne férhess nek hozzá. Ne hagyja, hogy olyan személyek használják az elektromos kéziszerszámot, akik nem ismerik a szerszámot, vagy nem olvasták el ezt az útmutatót.** Az elektromos kéziszerszámok veszélyesek, ha azokat gyakorlatlan személyek használják.

- e) **A készüléket gondosan ápolja. Ellenőrizze, hogy a mozgó alkatrészek kifogástalanul működnek-e, nincsenek-e beszorulva, és nincsenek-e eltörve vagy megrongálódva olyan alkatrészek, amelyek hatással lehetnek az elektromos kéziszerszám működésére. A megrongálódott részeket a készülék használata előtt javíttassa meg.** Sok olyan baleset történik, amelyet az elektromos kéziszerszám nem kielégítő karbantartására lehet visszavezetni.
- f) **Tartsa tisztán és éles állapotban a vágószerszámokat.** Az éles vágóélekkel rendelkező és gondosan ápolott vágószerszámok ritkábban ékelődnek be és azokat könnyebben lehet vezetni és irányítani.
- g) **Az elektromos kéziszerszámokat, tartozékokat, betétszerszámokat stb. csak ezen előírásoknak használja. Vegye figyelembe a munkafeltételeket és a kivitelezendő munka sajátosságait.** Az elektromos kéziszerszám eredeti rendeltetésétől eltérő célokra való alkalmazása veszélyes helyzetekhez vezethet.
- 5) SZERVIZ**
- a) **Az elektromos kéziszerszámot csak szakképzett személyzet és csak eredeti pótalkatrészek felhasználásával javíthatja.** Ez biztosítja, hogy az elektromos kéziszerszám biztonságos szerszám maradjon.

## BIZTONSÁGI ELŐÍRÁSOK HŐLÉGFŰVÓKHOZ

### HASZNÁLAT ELŐTT:

- Minden használat előtt ellenőrizze, hogy helyesen működik-e a szerszám, és amennyiben meghibásodást észlel, azonnal forduljon szakképzett szerelőhöz, ön soha ne nyissa ki
- Minden alkalommal vizsgálja meg a csatlakozóvezetékét és a dugót, és amennyiben sérült, szakképzett szerelővel cseréltesse ki
- Használjon teljesen letekert és biztonságos hosszabbítókábel, 16 A-es teljesítménnyel
- Rendszeresen vizsgálja meg a hosszabbító vezetékét, és cserélje le ha sérült
- A szerszámot és tartozékait kizárólag ezen használati utasítás alapján használja, és csak rendeltetésük szerint; olyan műveletek, melyek a szerszám normális használatától eltérőek, veszélyes helyzetet eredményezhetnek
- A készüléket csak 16 éven felüli személyek használják
- Ezt a szerszámot nem tervezték hiányos fizikai, szenzoriális vagy értelmi képességekkel rendelkező személyek (beleértve a gyerekeket), illetve tudással és tapasztalattal nem rendelkező személyek által történő használatra, hacsak ezen személyek számára nem biztosítanak a szerszám használatára vonatkozó kiképzést, illetőleg felügyeletet, egy erre megbízott, a biztonságukért felelős személy által
- Mindig ellenőrizze, hogy a hálózati feszültség megegyezik-e a szerszám adattábláján feltüntetett értékkel
- Győződjön meg róla, hogy a gépet ki legyen kapcsolva mielőtt a hálózati csatlakozóba bedugja

## HASZNÁLAT KÖZBEN:

- **Óvatosan bánjon a szerszámmal, ezzel elkerülheti a tűz és égésveszélyt**
  - ne érintse meg a légkifúvó nyílást és a melegített tárgyakat, mivel ezek rendkívül felforrósodnak
  - ne tartsa a légkifúvó nyílást túl közel a megmunkálandó tárgyhoz
  - ne irányítsa a forró levegőt túl sokáig ugyanarra a felületre
  - ne nézzon bele a légkifúvó nyílásba
  - viseljen védőkesztyűt és védőszemüveget
  - ne irányítsa a forró légsugarat személyek vagy állatok felé
  - ne használja a szerszámot hajszárításra
  - ne hagyja őrizetlenül a szerszámot
  - ne használja a szerszámot gyúlékony gázok, vagy más könnyen égő anyagok közelében **(robbanásveszély)**
  - amikor műanyaggal, festékkel, lakkal és más hasonló anyagokkal dolgozik gyúlékony és mérgező gázok keletkezhetnek, ezért előzetesen tanulmányozza az anyagokat, melyekkel dolgozni kíván
  - vegye figyelembe, hogy olyan tárgyakra is áterjedhet a hő, melyek a látókörén kívül esnek
  - a biztonság kedvéért mindig legyen kéznél egy vödör víz, vagy egy tűzoltó készülék, arra az esetre ha tűz keletkezne
- **Előzze meg az áramütést**
  - ne piszkáljon bele semmivel a légkifúvó nyílásba
  - kerülje el a földelt tárgyakkal való testzárlatot (pl.: csövek, radiátorok, tűzhelyek, hűtőgépek)
  - gondoskodjon róla, hogy a szerszám ne legyen nedves
  - ne használja a szerszámot nyirkos környezetben
  - amennyiben szabadban használja a szerszámot, 30 mA indítóáramú hibaáram megszakítón keresztül csatlakozzon a hálózathoz, és csak olyan hosszabbító vezetéket használjon, mely szabadtéri használatra készült, és freccsenő víz ellen védett csatlakozójelzata van
- **Óvatosan bánjon a vezetékkel**
  - mindig tartsa a vezetéket távol a forró légáramtól és a légfúvó nyílástól
  - tartsa távol a vezetéket hőtől, olajtól és éles peremektől
  - ne szállítsa a szerszámot a vezetéken lógatva, és ne rántsa meg a vezetéket amikor a csatlakozójelzátból akarja kihúzni
  - ne lógassa a szerszámot a vezetéknél fogva
- Soha ne használja a szerszámot vegyi oldószerekkel együtt
- Gondoskodjon róla, hogy a munkavégzés légtere megfelelően szellőzött legyen
- Tartsa tisztán és jól megvilágítva a munkaterületet
- Tartsa a gyermekeket távol a munkaterülettől
- Zárja ki annak lehetőségét, hogy a gyerekek játszhatnak a szerszámmal
- A bekapcsolási folyamatok rövid időtartamú feszültségcsökkenéshez vezetnek; bizonyos hálózati feltételek mellett ez befolyásolhatja más berendezések működését (ha a hálózati impedancia nem haladja meg a 0,127 + j0,079 Ohm értéket, nem lépnek fel zavarok);

amennyiben egyéb információra van szüksége, kérjük lépjen kapcsolatba a helyi áramszolgáltatójával

- Orizze meg éberségét, figyeljen oda, hogy mit csinál, használja a józan ítélőképességét, és ne használja a szerszámot ha fáradt
- Biztonságos pózban dolgozzon, ne hajoljon át semmin, különösen ha létrán vagy állványon dolgozik
- Ellenőrizze, hogy a szerszám ki van-e kapcsolva mielőtt félreteszi
- Normálistól eltérő működés valamint szokatlan, idegen hangok esetén a készüléket azonnal kapcsolja ki és a kábelt húzza ki a fali dugaszoló aljzatról

## HASZNÁLAT UTÁN:

- Kapcsolja ki a szerszámot és húzza ki a konnektorból
- **Legalább 30 percig várjon, hogy lehűljön a szerszám mielőtt elcsomagolja**
- Függeszse fel a szerszámot a M ② akasztógyűrűn fogva, vagy helyezze a hátulsó részére függőleges helyzetben, és ilyenkor mindig ellenőrizze, hogy ne legyenek a közelben könnyen égő anyagok vagy gyúlékony gázok
- Ne tárolja/hagyja kültéri a szerszámot
- A szerszám száraz és zárt helyen tárolja, ahol gyermekek nem férhetnek hozzá

## KEZELÉS

- Be/ki kapcsoló 2 hőmérséklet állással ④
  - ! **ellenőrizze, hogy az A kapcsoló "0" állásban legyen mielőtt bedugja a készüléket**
  - a készülék bekapcsolása az A kapcsolónak a kívánt helyzetbe állításával történik:
    - I = 50°C + légáram 250-500 liter/perc
    - II = 50°C ... 650°C, légáram 250-500 liter/perc
  - első használatkor némi füstöt bocsát ki a készülék, ez nem rendellenes és hamarosan megszűnik
  - a készülék kikapcsolása az A kapcsoló "0" helyzetbe állításával történik
- Hőmérsékletbeállítás ⑤
  - a nyomógomb B rövid megnyomásával 10°C-os léptékben állítsa be a kívánt célhőmérsékletet
  - a gomb nyomtartásával B a hőmérséklet folyamatosan emelkedik/csökken mindaddig, amíg el nem engedi a nyomógombot, vagy amíg a hőmérséklet el nem éri a minimum/maximum értéket
  - a célhőmérséklet beállítása után a kijelző D mutatja az aktuális emelkedő/csökkenő hőmérsékletet a kívánt hőmérséklet eléréséig (csak "II" állásban)
  - a célhőmérséklet eltárolódik a szerszám memóriájában, így a szerszám minden újbóli bekapcsolásakor a legutóljára választott hőmérsékletre melegszik fel
- Légáramlás intenzitásának a szabályozása ⑥
  - a nyomógombok C rövid megnyomásával 50 l/perces lépésekben állíthatja be a kívánt légáramlást
  - a kijelzőn D oszlopdiagram mutatja az aktuális légáramlás beállítást
- Általános használat
  - úgy határozhatja meg a helyes hőmérsékletet, hogy kipróbálja a munkadarab egy kevésbé feltűnő részén; az alacsonyabb hőmérsékletű állással kezdje
  - a hőmérséklet egyre csökken ahogy a távolság a légfúvó nyílás és a munkadarab között nő

- a szükséges hőmérséklet a megmunkálandó anyagtól függ
- **Álló használat** ⑦
  - helyezze a szerszámot a hátsó felére függőleges helyzetben
  - gondoskodjon róla, hogy a felület tiszta és pormentes legyen, mert a szennyezett levegő rongálja a motort
  - gondoskodjon róla, hogy a légáram iránya öntől távolodó legyen
  - rögzítse a vezetékét, mellyel elkerüli, hogy az lehúzza a szerszámot
  - ne érintse meg a légfúvó nyílást
  - gondoskodjon róla, hogy semmi ne eshessen bele a légfúvó nyílásba
  - óvatosan tartsa a szerszámot az egyik kezében, míg a másikkal kikapcsolja, aztán engedje kihűlni
- Használat nehezen elérhető helyeken
  - távolítsa el a E ② gyűrűt, ezzel a fém légfúvót nagyobb távolságba is kiengedheti
- ! **fordítson figyelmet a fokozott tűz és égésveszélyre**
- A gép vezetése és tartása ⑧
  - egy kézzel tartsa a szerszámot
  - a szellőzőnyílásokat F ② mindig tartsa szabadon
- Szabványos tartozékok ②
  - G üvegvédő fúvóka (a légáram tereléséhez)
  - H lapos fúvóka (a légáram szélesítéséhez)
  - J reflektor fúvóka (a légáram visszaveréséhez)
  - K csökkenítő fúvóka (a légáram sűrítéséhez)
- MEGJEGYZÉSEK:
  - minden alkalmazási példa **(kivéve festék eltávolítása ablakokról)** elvégezhető a tartozékok nélkül; mindazonáltal a megfelelő tartozék használata leegyszerűsíti a munkát, és jelentősen javítja az eredményességet
  - ez a szerszám BOSCH és más márkájú elterjedt hőlégfúvó tartozékokkal is használható
- Tartozékok felszerelése és eltávolítása
  - egyszerűen illeszse a tartozékot a légfúvóra L ②
  - a tartozékot úgy távolíthatja el, hogy kihűlés után lehúzza a készülékről
- ! **tartozékok felszerelése közben a kifúvó mindig legyen kihűlt állapotban, a hálózati kapcsoló "0" állásban, és a hálózati csatlakozó legyen kihúzva a konnektorból**
- Akasztógyűrű M ⑨
  - a szerszám egyszerű tárolásához
- ! **legalább 30 percig várjon, hogy lehűljön a szerszám mielőtt elcsomagolja**
- Folyamatos hő-ellenőrzés (túlterhelés elleni védelem)
 

Ha a szerszám túlterhelésnek van kitéve megvédi a fűtőelemet a sérüléstől, anélkül hogy le kellene állítani és/vagy megvárni amíg kihűl

  - amikor túlságosan megnő a hőmérséklet a fűtőelem kikapcsolja magát, miközben a motor tovább működik és hideg levegőt termel
  - amikor a hőmérséklet megfelelő szintre csökken (ez csak egy pár másodpercet vesz igénybe) akkor a fűtőelem automatikusan bekapcsol
- ! **ha a szerszámot magas hőmérsékleten végzett tevékenység után lekapcsolja, majd kis idő elteltével újra bekapcsolja, eltelhet némi idő, míg a fűtőelem eléri a kívánt hőfokot**

## HASZNÁLAT

- Festék/lakk eltávolítása ⑩
  - használjon tiszta, éles kaparót
  - határozott mozdulatokkal kaparja a festéket miután az fellágyult
  - kísérletezze ki, hogy mennyi ideig kell a hőt alkalmazni az optimális eredmény eléréséhez
  - azonnal kaparja le a fellágyult festéket, mielőtt újra megszilárdulna
  - a szerszámot 30-40 fokban tartsa a munkadarabhoz képest
  - azonnal távolítsa el a kaparótól a festékhulladékot, nehogy meggyulladjon
  - kaparjon a fa erezetének irányában ahol csak ez lehetséges
  - ne irányítsa a forró levegőt túl sokáig ugyanarra a felületre
  - biztonságos helyre dobja ki a festékhulladékot
  - alaposan tisztítsa meg a munkaterületet miután befejezte a munkát
- ! **óvatos legyen amikor régi épületekben távolítja el a festékrétegeket, mert a múltban sokszor ólomtartalmú festéket használtak, mely rendkívül mérgező**
- ! **akár kis mennyiségű ólom is komoly agyi és idegrendszeri károsodást okozhat; fiatal gyermekekre és születendő gyermekekre különösen veszélyes**
- ! **ólomtartalmú festéket csak szakember távolítsa el, hőpisztoly használatával nélkül**
- PÉLDÁK EGYÉB ALKALMAZÁSRA:
  - ★ (szintetikus) falburkolat eltávolítása
- Festék/lakk eltávolítása ablakokról ⑪
  - **mindig** használja az G üvegvédő fúvókát amikor üveg közelében dolgozik
  - kézi kaparóval távolítsa el a festéket
- ! **ne használja a szerszámot festék eltávolítására fémkeretes ablakokról, mivel a fém jó hővezető és a túlmelegedés az üveg törését eredményezheti**
- Címkék eltávolítása (használja a H lapos fúvókát) ⑫
  - sok ragasztó lágyul a hőtől, amivel lehetővé válik a ragasztó kötés szétválasztása és a fölösleges ragasztó eltávolítása
- ! **a címkéket a felső szélükön kezdje melegíteni**
- ! **mindig figyeljen oda, hogy ne hevítse túl azt a felületet amire a címkét ragasztókat**
- PÉLDÁK EGYÉB ALKALMAZÁSRA:
  - ★ linóleum és PVC padlók eltávolítása
  - ★ szálás műanyagból készült padlószőnyeg burkolatlapok eltávolítása
  - ★ furnér eltávolítása/furnérlemezek felragasztása
  - ★ kátrány, bádóg, bitumen és viasz lágyítása/olvasztása (használja a H lapos fúvókát)
  - ★ viaszolás (síléc, bútorok) (használja a H lapos fúvókát) ⑬
  - ★ gyanta eltávolítása
  - ★ berozsásodott/túl szoros fém csavarok, és anyáscsavarok meglazítása
  - ★ gyertyaviasz eltávolítása (ne hevítse túl az alatta lévő felületet)



- ★ törött gyertyák megjavítása/elhajlott gyertyák visszaállítása eredeti alakjukra
- Zsugorító illesztés (14)
  - használja a J reflektor fűvókát, vagy a K csökkentő fűvókát
  - válasszon olyan zsugorítással illesztett csövet, melynek az átmérője megegyezik a munkadarabéval
  - egyenletesen melegítse fel a zsugorítással illesztett csövet

#### PÉLDÁK EGYÉB ALKALMAZÁSRA:

- ★ zsugorítóliás csomagolás
- Vívezeték csövek forrasztása (16)
 

A szerszám lágyforrasztókkal való munkához (olvadáspont 400 fok alatt) alkalmas legjobban

  - használja a J reflektor fűvókát
  - alaposan tisztítsa meg mindkét illeszteni kívánt szelvényt a forrasztás előtt
  - melegítse elő mindkét szelvényt és alkalmazzon forrasztóhuzalt (**ne használja ólomtartalmú forrasztóhuzalt**)
- Befagyott vízvezetékek felolvasztása (16)
  - használja a J reflektor fűvókát
  - egyenletesen melegítse fel a fagyott területet

**! a vízvezeték csöveket gyakran nehéz megkülönböztetni a gázvezeték csövektől; a gázcsövek melegítése rendkívül veszélyes - robbanásveszély**

#### PÉLDÁK EGYÉB ALKALMAZÁSRA:

- ★ PVC-ből készült vízvezeték csöveket felolvasztása (1 helyzet , max. 60°C)
- ★ befagyott autózárak felolvasztása (1 helyzet , max. 60°C) (használja a K csökkentő fűvókát)
- ★ fagyasztók felolvasztása (**ne rongálja meg a műanyag házat**)
- ★ jéggel borított lépcsők és járdák felolvasztása
- Műanyag csövek alakítása
  - használja a J reflektor fűvókát
  - töltsen meg homokkal a csövet és zárja le mindkét végén, ezzel megakadályozza a cső kihajlását
  - egyenletesen melegítse a csövet, minden oldalról

#### PÉLDÁK EGYÉB ALKALMAZÁSRA:

- ★ minden alacsony olvadáspontú műanyag alakítása (polietilén, PVC, stb.)
- ★ minden magas olvadáspontú műanyag alakítása (akrilüveg, plexi, stb.)
- ★ szálas műanyagból készült padló burkolólapok alakítása és hajlítása
- ★ fa alakítása és hajlítása (modellek építése)
- Műanyagok hegesztése
  - a hegesztési varrat tiszta és zsírmentes legyen
  - a hegesztőpálcát tartsa közel a hegesztési varrhoz és addig irányítsa rá hőt amíg a hegesztőpálca nem tapad
  - hagyja abba a hőfűvást amikor a varrat feltöltődött

#### PÉLDÁK EGYÉB ALKALMAZÁSRA:

- ★ szőrfdeszkák, sílecek és más műanyag sporteszközök javítása (használja a H lapos fűvókát)
- ★ PVC anyagok hegesztése
- ★ felhőlyagosodás kisimítása PVC címkék ragasztása után
- ★ kerti öntözőcsövek csatlakoztatása (használja a J reflektor fűvókát)

- Szárítás

**! csak az alacsony vagy közepes hőmérséklet állásban (1 vagy 2 helyzet) használja a készüléket szárításra, és tartsa a szokásosnál távolabb a készüléket a munkadarabtól**

- festék, lakk, gipsz, vakolat és gipszvakolat szárítása
- nedves faanyag szárítása pórustömítés előtt
- vastagon alkalmazott tömítés vagy ragasztás gyors szárítása
- épületcsatlakozások szárítása szigetelés vagy tömítőanyag fecskendezését megelőzően
- csatlakozások és repedések szárítása hajóépítésnél
- Tisztítás/fertőtlenítés
  - nyúlólak, galambdúcok, stb. fertőtlenítése (**az állatotól előtte vegyük ki**)
  - hangyabolyhok kiirtása
  - faférgék és szúró rovarok kiirtása (**tartsa a szerszámot megfelelő távolságban a fától**)
  - gyomirtás

## KARBANTARTÁS / SZERVIZ

- A szerszám nem professzionális használatra készült
- Mindig tartsa tisztán a gépet és a vezetéket (különös tekintettel a szellőzőnyílásokra F (2))
- Ne használjon gyúlékony folyadékokat a hőpisztoly tisztítására, és különösen nem a légfúvó tisztítására
- Ha a gép a gondos gyártási és ellenőrzési eljárás ellenére egyszer mégis meghibásodna, akkor a javítással csak SKIL elektromos kéziszerszám-műhely ügyfélszolgálatát szabad megbízni
  - küldje az **összeszerelt** gépet a vásárlást bizonyító számlával együtt a kereskedő vagy a legközelebbi SKIL szervizállomás címére (a címlista és a gép szervizdiagramja a [www.skil.com](http://www.skil.com) címen található)

## KÖRNYEZET

- **Az elektromos kéziszerszámokat, tartozékokat és csomagolást ne dobja a háztartási szemétkébe** (csak EU-országok számára)
  - a használt villamos és elektronikai készülékekről szóló 2012/19/EK irányelv és annak a nemzeti jogba való átültetése szerint az elhasznált elektromos kéziszerszámokat külön kell gyűjteni, és környezetbarát módon újra kell hasznosítani
  - erre emlékeztet a (17) jelzés, amennyiben felmerül az intézkedésre való igény

## MEGFELELŐSÉGI NYILATKOZAT CE

- Egyedüli felelősséggel kijelentjük, hogy a "Műszaki adatok" alatt leírt termék megfelel a következő szabványoknak, illetve irányadó dokumentumoknak: EN 60335, EN 61000, EN 55014 a 2006/95/EK, 2004/108/EK, 2011/65/EU irányelveknek megfelelően

- **A múzskaci dokumentáció a következő helyen található:** SKIL Europe BV (PT-SEU/ENG1), 4825 BD Breda, NL

Marijn van der Hoofden  
Operations & Engineering

Olaf Dijkgraaf  
Approval Manager

SKIL Europe BV, 4825 BD Breda, NL

03.09.2014

CE11

CZ

## Horkovzdušné pistole

8004

### ÚVOD

- Tento nástroj je určen k odstraňování nátěrů, tvarování a svařování plastů a k zahřívání žárově smršťovacích trubek; nástroj je také vhodný k pájení a cinování, uvolňování lepených spojů a odmrazování vodovodních trubek
- Tento nástroj není určen k profesionálnímu použití
- Tento návod s pokyny si pečlivě přečtete a uschovejte ③

### TECHNICKÁ DATA ①

### SOUČÁSTI NÁSTROJE ②

- A Spínač "zapnuto/vypnuto"
- B Tlačítka pro nastavení teploty
- C Tlačítka k nastavení proudu vzduchu
- D Displej (LCD)
- E Ochranný kroužek
- F Větrací štěrby
- G Tryska pro ochranu skla
- H Plochá tryska
- J Odrazová tryska
- K Redukční tryska
- L Výstup vzduchu/vzduchová tryska
- M Závěsné očko

### BEZPEČNOST

#### VŠEOBECNÉ BEZPEČNOSTNÍ PŘEDPISY

**⚠ POZOR! Čtete všechna varovná upozornění a pokyny.** Zanedbání při dodržování varovných upozornění a pokynů mohou mít za následek úder elektrickým proudem, požár a/nebo těžká poranění. **Všechna varovná upozornění a pokyny do budoucna uschovejte.** Ve varovných upozorněních použitý pojem "elektronářadí" se vztahuje na elektronářadí provozované na el. síti (se síťovým kabelem) a na elektronářadí provozované na akumulátoru (bez síťového kabelu).

#### 1) BEZPEČNOST PRACOVNÍHO MÍSTA

- a) **Udržujte Vaše pracovní místo čisté a uklizené.** Nepořádek nebo neosvětlené pracovní oblasti mohou vést k úrazům.

- b) **Se strojem nepracujte v prostředích ohrožených explozí, kde se nacházejí hořlavé kapaliny, plyny nebo prach.** Elektronářadí vytváří jiskry, které mohou prach nebo páry zapálit.

- c) **Děti a jiné osoby udržujte při použití elektronářadí daleko od Vašeho pracovního místa.** Při rozptýlení můžete ztratit kontrolu nad strojem.

#### 2) ELEKTRICKÁ BEZPEČNOST

- a) **Připojovací zástrčka stroje musí lícovat se zásuvkou. Zástrčka nesmí být žádným způsobem upravena. Společně se stroji s ochranným uzemněním nepoužívejte žádné adaptérové zástrčky.** Neupravené zástrčky a vhodné zásuvky snižují riziko elektrického úderu.
  - b) **Zabraňte kontaktu těla s uzemněnými povrchy, jako např. potrubí, topení, sporáky a chladničky.** Je-li Vaše tělo uzemněno, existuje zvýšené riziko elektrického úderu.
  - c) **Chraňte stroj před deštěm a vlhkem.** Vniknutí vody do elektrického stroje zvyšuje nebezpečí elektrického úderu.
  - d) **Dbejte na účel kabelu, nepoužívejte jej k nošení či zavěšení stroje nebo vytáhnutí zástrčky ze zásuvky. Udržujte kabel daleko od tepla, oleje, ostrých hran nebo pohyblivých dílů stroje.** Poškozené nebo spletené kabely zvyšují riziko elektrického úderu.
  - e) **Pokud pracujete s elektronářadím venku, použijte pouze takové prodlužovací kabely, které jsou schváleny i pro venkovní použití.** Použití prodlužovacího kabelu, jež je vhodný pro použití venku, snižuje riziko elektrického úderu.
  - f) **Pokud se nelze vyhnout provozu elektronářadí ve vlhkém prostředí, použijte ochranný jistič.** Nasazení ochranného jističe snižuje riziko úderu elektrickým proudem.
- #### 3) BEZPEČNOST OSOB
- a) **Buďte pozorní, dávejte pozor na to, co děláte a přistupujte k práci s elektronářadím rozumně. Stroj nepoužívejte pokud jste unaveni nebo pod vlivem drog, alkoholu nebo léků.** Moment nepozornosti při použití elektronářadí může vést k vážným poraněním.
  - b) **Noste osobní ochranné pomůcky a vždy ochranné brýle.** Nošení osobních ochranných pomůcek jako maska proti prachu, bezpečnostní obuv s protiskluzovou podrážkou, ochranná přilba nebo sluchátka, podle druhu nasazení elektronářadí, snižují riziko poranění.
  - c) **Zabraňte neúmyslnému uvedení do provozu. Přesvědčte se, že je elektronářadí vypnuté dříve než jej uchopíte, poneseťe či připojíte na zdroj proudu / nebo akumulátor.** Máte-li při nošení elektronářadí prst na spínači nebo pokud stroj připojíte ke zdroji proudu zapnutý, pak to může vést k úrazům.
  - d) **Než stroj zapnete, odstraňte seřizovací nástroje nebo šroubovák.** Nástroj nebo klíč, který se nachází v otáčivém dílu stroje, může vést k poranění.
  - e) **Nepřeceňujte se. Zajistěte si bezpečný postoj a vždy udržujte rovnováhu.** Tím můžete stroj v neočekávaných situacích lépe kontrolovat.
  - f) **Noste vhodný oděv. Nenoste žádný volný oděv nebo šperky. Vlasy, oděv a rukavice udržujte daleko od pohybujících se dílů.** Volný oděv, šperky nebo dlouhé vlasy mohou být zachyceny pohybujícími se díly.

- g) **Lze-li namontovat odsávací či zachycující přípravky, přesvědčte se, že jsou připojeny a správně použity.**

Použití odsávání prachu může snížit ohrožení prachem.

#### 4) SVĚDOMITĚ ZACHÁZENÍ A POUŽÍVÁNÍ ELEKTRONÁRAĐÍ

- a) **Stroj nepřetěžujte. Pro svou práci použijte k tomu určený stroj.** S vhodným elektronářadím budete pracovat v udané oblasti výkonu lépe a bezpečněji.
- b) **Nepoužívejte žádné elektronářadí, jehož spínač je vadný.** Elektronářadí, které nelze zapnout či vypnout je nebezpečné a musí se opravit.
- c) **Než provedete seřízení stroje, výměnu dílů příslušenství nebo stroj odložíte, vytáhněte zástrčku ze zásuvky a/nebo odstraňte akumulátor.** Toto preventivní opatření zabrání neúmyslnému zapnutí stroje.
- d) **Uchovávejte nepoužívané elektronářadí mimo dosah dětí. Nenechte stroj používat osobám, které se strojem nejsou seznámeny nebo nečetly tyto pokyny.** Elektronářadí je nebezpečné, je-li používáno nezkušenými osobami.
- e) **Pečujte o stroj svědomitě. Zkontrolujte, zda pohyblivé díly stroje bezvadně fungují a nevzpříčují se, zda díly nejsou zlomené nebo poškozené tak, že je omezena funkce stroje. Poškozené díly nechte před nasazením stroje opravit.** Mnoho úrazů má příčinu ve špatně udržovaném elektronářadí.
- f) **Řezné nástroje udržujte ostré a čisté.** Pečlivě ošetřované řezné nástroje s ostrými řeznými hranami se méně vzpříčují a dají se lehčeji vést.
- g) **Používejte elektronářadí, příslušenství, nasazovací nástroje apod. podle těchto pokynů. Respektujte přitom pracovní podmínky a prováděnou činnost.** Použití elektronářadí pro jiné než určující použití může vést k nebezpečným situacím.

#### 5) SERVIS

- a) **Nechte Váš stroj opravit pouze kvalifikovaným odborným personálem a pouze s originálními náhradními díly.** Tím bude zajištěno, že bezpečnost stroje zůstane zachována.

### BEZPEČNOSTNÍ PŘEDPISY PRO HORKOVZDUŠNÉ PISTOLE

#### PŘED POUŽITÍM:

- Před každým použitím zkontrolujte funkčnost nástroje a v případě poruchy jej dejte ihned opravit kvalifikovanou osobou; nástroj nikdy sami neotevírejte
- Před každým použitím zkontrolujte šňůru nástroje a zástrčku a v případě poškození je dejte vyměnit kvalifikovanou osobou
- Používejte zcela rozvinuté a bezpečně prodlužovací šňůry o kapacitě 16 ampér
- Pravidelně kontrolujte prodlužovací šňůru a v případě poškození ji vyměňte
- Používejte nástroj a jeho příslušenství v souladu s tímto návodem a způsobem určeným pro tento nástroj; používání nástroje pro jiné úkony než ty, jejichž provádění se u tohoto nástroje běžně předpokládá, může vést k nebezpečným situacím
- Tento nástroj nesmí používat osoby mladší 16 let
- Tento nástroj není určen pro používání osobami (včetně dětí) s omezenými fyzickými, smyslovými či mentálními schopnostmi, nebo s nedostatkem zkušeností a

vědomostí, pokud na ně není dohlédnuto nebo nedostaly pokyny týkající se zacházení s nástrojem od osoby zodpovědné za jejich bezpečnost

- Vždy zkontrolujte, zda je napájecí napětí stejné jako napětí uvedené na typovém štítku nástroje
- Přesvědčete se, zda je nástroj při zapojování do zásuvky vypnutý

#### BEHEM POUŽITÍ:

- **Zacházejte s nástrojem opatrně; dbejte na prevenci proti požárům a popáleninám**
  - nedotýkejte se výstupu vzduchu/vzduchové trysky a zahřívaneho předmětu; zahřívají se na velmi vysoké teploty
  - nedržte výstup vzduchu/vzduchovou trysku příliš blízko předmětu, na kterém pracujete
  - nesměřujte proud horkého vzduchu příliš dlouho na stejné místo povrchu
  - nikdy se neďivejte do výstupu vzduchu/vzduchové trysky
  - noste ochranné rukavice a používejte bezpečnostní brýle
  - nikdy neměřte proudem horkého vzduchu proti osobám a zvířatům
  - nikdy nástroj nepoužívejte k sušení vlasů
  - nenechávejte nástroj bez dozoru
  - nikdy nástroj nepoužívejte v blízkosti vznětlivých plynů nebo hořlavých materiálů (**nebezpečí výbuchu**)
  - při práci s plasty, nátěry, laky nebo podobnými materiály mohou vznikat vznětlivé a jedovaté plyny; předem se informujte o materiálech, na kterých budete pracovat
  - berte v úvahu, že teplo se může přenášet na hořlavé materiály mimo vade zorné pole
  - pro jistotu mějte po ruce kbelík vody nebo hasicí přístroj pro případ zničení nějakého materiálu
- **Předcházejte elektrickému šoku**
  - nikdy nic nestrkejte do výstupu vzduchu/vzduchové trysky
  - vyhýbejte se tělesnému kontaktu s uzemněnými povrchy (např. trubkami, radiátory, sporáky, chladničkami)
  - zajistěte, aby nástroj nenavlhnul
  - nepoužívejte nástroj ve vlhkých místech
  - při venkovním použití zapojte nástroj přes jistič poruchového proudu (FI) se spouštěcím proudem max. 30 mA, a používejte pouze takovou prodlužovací šňůru, která je určena pro venkovní použití a je vybavena spojovací zásuvkou chráněnou proti stříkající vodě
- **Se šňůrou zacházejte opatrně**
  - udržujte šňůru vždy mimo proud horkého vzduchu a výstup vzduchu/vzduchovou trysku
  - udržujte šňůru tak, aby nebyla v kontaktu se žárem, olejem a ostrými hranami
  - nepřeházejte nástroj za šňůru a při odpojování nástroje ze zásuvky za šňůru netahajte
  - nezávěšujte nástroj za šňůru
- Nikdy nástroj nepoužívejte ve spojení s chemickými rozpouštědly
- Přesvědčete se, zda je pracovní oblast řádně větraná
- Udržujte pracovní oblast čistou a dobře osvětlenou
- Nedovolte dětem vstup na pracoviště

- Postarejte se, aby si děti nehrály s nástrojem
- Proces sepnutí způsobí krátkodobý pokles napětí; při nepříznivých podmínkách v síti se může projevit omezování jiných strojů (při síťové impedanci menší než 0,127 + j0,079 ohmů; se nedají očekávat žádné poruchy); pro bližší vysvětlení se můžete obrátit na svého lokálního distributora elektrické energie
- Buďte ostražití, dávejte pozor na to, co děláte, používejte zdravý rozum a nepracujte s nástrojem, když jste unavení
- Zaujměte bezpečný postoj; nenatahujte se příliš dopředu, hlavně na žebřících a schodech
- Před odložením nástroje se přesvědčete, zda je vypnutý
- V případě atypického chování nebo cizích hluků ihned vypněte nářadí a vytáhněte zástrčku

## PO UŽITÍ:

- Vypněte nástroj a odpojte ze zásuvky
- **Před uložением nechejte nástroj alespoň 30 minut vychladnout**
- Zavěste nástroj za závěsný kroužek M ② nebo jej uložte ve vzpřímené poloze na zadní část; přitom se přesvědčete, zda nejsou v blízkosti žádné hořlavé materiály nebo vznětlivé plyny
- Nástroj neskladujte/henechávejte venku
- Nástroj skladujte na suchém a uzamčeném místě mimo dosah dětí

## OBSLUHA

- Spínač zapnuto/vypnuto s nastavením 2 teplot ④
  - ! **před zapojením do sítě se přesvědčete, zda je spínač A v poloze "0"**
  - zapněte nástroj posunutím spínače A do požadované polohy:
    - I = 50°C + proud vzduchu 250-500 litrů/minutu
    - II = 50°C ... 650°C, proud vzduchu 250-500 litrů/minutu
  - při prvním použití může z nástroje vycházet trochu kouře; je to normální a brzy to přestane
  - vypněte nástroj posunutím tlačítka A do polohy "0"
- Nastavení teploty ⑤
  - nastavte požadovanou cílovou teplotu v krocích po 10°C krátkým tisknutím tlačítek B
  - tisknutí tlačítek B plyne zvyšuje nebo snižuje cílovou teplotu, dokud tlačítka nepřestanete tisknout nebo není dosaženo minimální/maximální teploty
  - po nastavení cílové teploty se na displeji D zobrazuje skutečná stoupající nebo klesající teplota až do dosažení požadované hodnoty (pouze v poloze "II")
  - cílová teplota se uloží v paměti nástroje, proto se při každém zapnutí nástroj zahřeje na poslední nastavenou cílovou teplotu
- Nastavení proudu vzduchu ⑥
  - nastavte požadovaný proud vzduchu v krocích po 50 l/min krátkým stisknutím tlačítek C
  - displej D ukazuje ve sloupcovém grafu aktuální nastavení proudu vzduchu
- Obecné použití
  - na nenápadné části obrobku zjistěte provedením zkoušky správnou teplotu; začněte nastavením na nízkou teplotu
  - teplota klesá s rostoucí vzdáleností mezi výstupem vzduchu/vzduchovou tryskou a obrobkem

- požadovaná teplota závisí na materiálu, se kterým pracujete
- Stacionární použití ⑦
  - postavte nástroj ve vzpřímené poloze na jeho zadní část
  - přesvědčete se, zda je povrch čistý a zbavený prachu; znečištěný vzduch poškozuje motor
  - přesvědčete se, zda proud vzduchu směřuje od vás
  - zajistěte šňůru tak, aby nedošlo ke stažení nástroje
  - nedotýkejte se výstupu vzduchu/vzduchové trysky
  - dbejte na to, aby do výstupu vzduchu/vzduchové trysky nic neupadlo
  - opatrně držte nástroj jednou rukou a druhou rukou jej vypněte, pak jej nechte vychladnout
- Použití na těžko dosažitelných místech
  - odstraňte kroužek E ②, čímž uvolníte kovový výstup vzduchu na větší vzdálenost
- ! **dejte pozor na zvýšené riziko požáru a popálenin**
- Držení a vedení nástroje ⑧
  - držte nástroj jednou rukou
  - udržujte větrací šterbiny F ② nezakryté
- Standardní příslušenství ②
  - tryska G pro ochranu skla (pro odklonění proudu vzduchu)
  - plochá tryska H (pro rozšíření proudu vzduchu)
  - odrazová tryska J (pro odrážení proudu vzduchu)
  - redukční tryska K (pro koncentraci proudu vzduchu)

## POZNÁMKY:

- všechny způsoby použití (**kromě odstraňování nátěru z oken**) lze provádět bez příslušenství; použití vhodného příslušenství však usnadňuje práci a značně zlepšuje kvalitu výsledku
- tento nástroj je možné používat s příslušenstvím od firmy BOSCH a jiným běžně dostupným příslušenstvím pro horkovzdušné pistole
- Nasazení/odstranění příslušenství
  - jednoduše nasadte příslušenství na výstup vzduchu L ②
  - příslušenství odstraňte jeho sundáním z přední části, ale až po vychladnutí
- ! **příslušenství nasazujte pouze tehdy, když je výstup vzduchu studený, když je spínač v poloze "0" a když je zástrčka odpojena**
- Závěsné očko M ⑨
  - pro snadné uložení nástroje
- ! **před uložением nechejte nástroj alespoň 30 minut vychladnout**
- Konstantní regulace teploty (ochrana proti přetížení)
  - Chrání topný článek před poškozením v případě přetížení nástroje bez nutnosti jeho vypnutí a/nebo určité doby chlazení
  - když teplota stoupne příliš vysoko, topný článek se sám vypne, zatímco motor dále běží a produkuje studený vzduch
  - když teplota dostatečně klesne (což trvá pouze několik vteřin), topný článek se opět automaticky zapne
- ! **když nástroj vypnete poté, co jste pracovali s nastavenou vysokou teplotou, a pak jej po krátké přestávce znovu zapnete, může chvíli trvat, než topný prvek dosáhne požadované teploty**

## NÁVOD K POUŽITÍ

- Odstraňování nátěru/laku <sup>10</sup>
  - použijte čistou, ostrou škrabku
  - když nátěr změkne, důkladně jej oškrábejte
  - experimentujte za účelem stanovení doby působení tepla potřebné k dosažení optimálních výsledků
  - změkklý nátěr oškrábejte ihned, jinak opět ztvrdne
  - mezi nástrojem a obrobkem udržujte úhel 30° to 40°
  - ze škrabky ihned odstraňte barvu a třísky, aby nedošlo k jejich vznícení
  - škrábejte pokud možno po textuře dřeva
  - nesměřujte proud horkého vzduchu příliš dlouho na stejné místo povrchu
  - bezpečně zlikvidujte všechny zbytky nátěru
  - po ukončení práce důkladně uklidíte pracoviště

**! při odstraňování vrstev nátěrů ve starších budovách buďte opatrní; budovy mohly být v minulosti natřeny barvou obsahující olovo, které je vysoce jedovaté**

**! vystavení třeba jen nízkým hladinám olova může způsobit závažné poruchy mozku a nervového systému; zvláště náchylné jsou malé a nenarozené děti**

**! nátěr na bázi olova nechejte odstranit odborníkem bez použití horkovzdušné pistole**

DALŠÍ PŘÍKLAD POUŽITÍ:

- ★ odstraňování (syntetického) povlaku zdi
- Odstraňování nátěru/laku z oken <sup>11</sup>
  - při práci vedle skla **vždy** používejte trysku G na ochranu skla
  - odstraňte nátěr ruční dkrabkou
- ! nepoužívejte nástroj k odstraňování nátěru z oken s kovovými rámy; kov vede teplo, které by mohlo způsobit roztržení skla**
- Odstraňování nálepek (použijte plochou trysku H) <sup>12</sup>
  - mnohá lepidla po zahřátí změkknou, čímž umožní oddělení lepených spojů a odstranění přebytečného lepidla

**! nálepku shora nahřejte**

**! vždy dbejte na to, aby nedodlo k přehřátí podkladového povrchu**

DALŠÍ PŘÍKLADY POUŽITÍ:

- ★ odstraňování linolea a vinylových podlahových krytin
- ★ odstraňování podlahových čtverců vyrobených ze syntetických vláken
- ★ odstraňování obkladů/aplikace obkladových pásů
- ★ změkčování/rozpouštění dehtu, cínu, živíc, vosku (použijte plochou trysku H)
- ★ voskování (lyže, nábytek) (použijte plochou trysku H) <sup>13</sup>
- ★ odstraňování pryskyřice
- ★ uvolňování zrezivělých/příliš utažených kovových šroubů, matic a svorníků
- ★ odstraňování svíčkového vosku (**nepřehřívejte podkladový povrch**)
- ★ opravování zlomených svíček/obnova původního tvaru ohnutých svíček
- Smršťování <sup>14</sup>
  - použijte odrazovou trysku J nebo redukční trysku K
  - vyberte smršťovací trubku o průměru odpovídajícím průměru obrobku
  - smrdřovací trubku rovnoměrně zahřejte

DALŠÍ PŘÍKLAD POUŽITÍ:

- ★ balení do smršťovacích obalů
- Pájení vodovodních trubek <sup>15</sup>

Tento nástroj je nejvhodnější pro práci s měkkými pojidly (bod tavení do 400°)

  - použijte odrazovou trysku J
  - před pájením důkladně vyčistěte obě spojované části
  - obě části předehejte a naneste pájecí drát (**nepoužívejte pájecí drát na bázi olova**)
- Rozmrazení zamrzlých vodovodních trubek <sup>16</sup>
  - použijte odrazovou trysku J
  - rovnoměrně zahřejte zamrzlé místo

**! vodovodní trubky lze často jen obtížně rozlídit od plynového potrubí; zahřátí plynového potrubí je krajně nebezpečné – riziko výbuchu**

DALŠÍ PŘÍKLADY POUŽITÍ:

- ★ rozmrazování vodovodních trubků vyrobené z PVC (poloha I, max. 60°C)
- ★ rozmrazování zamrzlých automobilových zámků (poloha I, max. 60°C) (použijte redukční trysku K)
- ★ odmrazování mrazáků (**nepoškozíte plastový pládt**)
- ★ rozmrazování zledovatělých schodů a chodníků
- Tvarování plastových trubek
  - použijte odrazovou trysku J
  - naplňte trubku pískem a na obou koncích utěsněte, aby nedošlo k jejímu zkroutení
  - pohybem ze strany na stranu trubku rovnoměrně zahřejte

DALŠÍ PŘÍKLADY POUŽITÍ:

- ★ tvarování všech plastů s nízkým bodem tavení (polyetylen, PVC atd.)
- ★ tvarování všech plastů s vysokým bodem tavení (akrylové sklo, plexisklo atd.)
- ★ tvarování a ohýbání kobercových čtverců vyrobených ze syntetických vláken
- ★ tvarování a ohýbání dřeva (stavba modelů)
- Svařování plastů
  - svarový dev musí být čistý a zbavený mastnoty
  - přidržíte svařovací elektrodu blízko dvou a nechejte žár účinkovat, dokud se svařovací elektroda nezačne lepit
  - když se svarový šev zaplní, odkloňte žár

DALŠÍ PŘÍKLADY POUŽITÍ:

- ★ opravy surfových prken, lyží a jiného syntetického sportovního zboží (použijte plochou trysku H)
- ★ svařování PVC materiálů
- ★ vyhlazování bublin po nalepení nálepek z PVC
- ★ spojování zahradních hadic (použijte odrazovou trysku J)
- Sušení
  - ! sušení provádějte vždy při nastavení nízkého nebo středního teplotního stupně (poloha 1 nebo 2) a při větší vzdálenosti mezi nástrojem a obrobkem**
  - sušení nátěrů, laku, sádry, malty a omítky
  - sušení vlhkého dříví před přiložením
  - rychlé sušení silně naneseného pojiva nebo lepidla
  - sušení stavebních spojů před nástřikem izolace nebo tmelu
  - sušení spojů a trhlin při stavbě lodí

- Čištění/dezinfekce
  - dezinfekce králíkáren, holubníků atd. (**zvířata nejprve přesuňte na jiné místo**)
  - boj s koloniemi mravenců
  - boj s červotoči a dřevokazným hmyzem (**držte nástroj v dostatečné vzdálenosti od dřeva**)
  - odstraňování plevele

## ÚDRŽBA / SERVIS

- Tento nástroj není určen k profesionálnímu použití
- Nástroj a přívodní šňůru udržujte čisté (zejména větrací štěrby F ②)
- K čištění horkovzdušné pistole obecně a především k čištění výstupu vzduchu/vzduchové trysky nikdy nepoužívejte snadno hořlavé kapaliny
- Pokud dojde i přes pečlivou výrobu a náročné kontroly k poruše nástroje, svěťte provedení opravy autorizovanému servisnímu středisku pro elektronářadí firmy SKIL
  - zašlete nástroj **nerozebraný** spolu s potvrzením o nákupu své prodejně nebo nejbližšímu servisu značky SKIL (adresy a servisní schema nástroje najdete na [www.skil.com](http://www.skil.com))

## ŽIVOTNÍ PROSTŘEDÍ

- **Elektrické nářadí, doplňky a balení nevyhazujte do komunálního odpadu** (jen pro státy EU)
  - podle evropské směrnice 2012/19/EG o nakládání s použitými elektrickými a elektronickými zařízeními a odpovídajících ustanovení právních předpisů jednotlivých zemí se použitá elektrická nářadí, musí sbírat odděleně od ostatního odpadu a podrobit ekologicky šetrnému recyklování
  - symbol 17 na to upozorňuje

## PROHLÁŠENÍ O SHODĚ CE

- Prohlašujeme v plné naší zodpovědnosti, že v odstavci "Technická data" popsany výrobek je v souladu s následujícími normami nebo normativními dokumenty: EN 60335, EN 61000, EN 55014, podle ustanovení směrnice 2006/95/ES, 2004/108/ES, 2011/65/EU
- **Technická dokumentace u:** SKIL Europe BV (PT-SEU/ENG1), 4825 BD Breda, NL

Marijn van der Hoofden  
Operations & Engineering

Olaf Dijkgraaf  
Approval Manager

SKIL Europe BV, 4825 BD Breda, NL

03.09.2014

CE11

TR

## Isıtma tabancası

8004

### GİRİŞ

- Bu cihaz, satırlardaki boyanın kazınması, plastik malzemelerin biçimlendirilmesi ve birleştirilmesinin yanı sıra ısı ile büzüşen hortum bağlantılarında malzemenin ısıtılmasında kullanılmak amacıyla tasarlanmıştır; tüm bunlara ek olarak cihaz, lehimleme ve kalaylama işlemlerinde, birbirine yapışmış ek yerlerini ayırmada ve donmuş şu borularının buzunu çözmede de kullanılabilir
- Bu alet profesyonel kullanıma yönelik değildir
- Bu kullanma kılavuzunu okuyun ve saklayın ③

### TEKNİK VERİLER ①

### ALET BİLEŞENLERİ ②

- A Açma/kapama şalteri
- B Sıcaklık ayar düğmeleri
- C Hava akışı ayar düğmeleri
- D Ekran (LCD)
- E Koruma halkası
- F Havalandırma yuvaları
- G Cam koruma nozulu
- H Düz nozul
- J Reflektör nozul
- K Redüksiyon nozulu
- L Hava çıkışı/nozul
- M Asma halka

### GÜVENLİK

#### GENEL GÜVENLİK TALİMATI

**⚠ DİKKAT! Bütün uyarıları ve talimat hükümlerini okuyun.** Açıklanan uyarılara ve talimat hükümlerine uyulmadığı takdirde elektrik çarpmalarına, yangınlara ve/veya ağır yaralanmalara neden olunabilir. **Bütün uyarıları ve talimat hükümlerini ileride kullanmak üzere saklayın.** Uyarı ve talimat hükümlerinde kullanılan "elektrikli el aleti" kavramı, akım şebekesine bağlı (şebeke bağlantı kablosu ile) aletlerle akü ile çalışan aletleri (akım şebekesine bağlantısı olmayan aletler) kapsamaktadır.

#### 1) ÇALIŞMA YERİ GÜVENLİĞİ

- a) **Çalıştığınız yeri temiz ve düzenli tutun.** İşyerindeki düzensizlik veya yetersiz aydınlatma kazalara neden olabilir.
- b) **Yanıcı sıvıların, gazların veya tozların bulunduğunu patlama tehlikesi olan yer ve mekânlarda aletinize çalışmayın.** Elektrikli el aletleri, toz veya buharların tutuşmasına veya yanmasına neden olan kıvılcımlar çıkarırlar.
- c) **Elektrikli el aletinize çalışırken çocukları ve başkalarını çalışma alanınızın uzağında tutun.** Yakınızdaki bulunan kişiler dikkatinizi dağıtabilir ve bu da alet üzerindeki kontrolünüzü kaybetmenize neden olabilir.

## 2) ELEKTRİKSEL GÜVENLİK

- a) **Aletinizin bağlantı fişi prize uymalıdır. Fişi hiçbir şekilde değiştirmeyin. Koruyucu topraklamalı aletlerle adaptörlü fiş kullanmayın.** Değiştirilmemiş, orijinal fiş ve uygun prizler elektrik çarpmaya tehlikesini azaltır.
- b) **Borular, kalorifer tesisatı, ısıtıcılar ve buzdolapları gibi topraklanmış yüzeylerle bedensel temas gelmekten kaçının.** Eğer bedeniniz topraklanacak olursa yüksek bir elektrik çarpmaya tehlikesi ortaya çıkar.
- c) **Aletinizi yağmur ve nemden koruyun.** Elektrikli el aletinin içine suyun sızması elektrik çarpmaya tehlikesini yükseltir.
- d) **Kabloyu kendi amacı dışında kullanmayın; örneğin aleti kablodan tutarak taşımayın, aleti kablo ile asmayın veya kablodan çekerek fişi prizden çıkarmayın. Kabloyu aşırı sıcaktan, yağlardan, keskin kenarlı cisimlerden veya aletin hareketli parçalarından uzak tutun.** Hasarlı veya dolaşmış kablo elektrik çarpmaya tehlikesini yükseltir.
- e) **Elektrikli el aletinizle açık havada çalışırken mutlaka açık havada kullanılmaya müsadeeli uzatma kablosu kullanın.** Açık havada kullanılmaya uygun ve müsadeeli uzatma kablosunun kullanılması elektrik çarpmaya tehlikesini azaltır.
- f) **Elektrikli el aletinin nemli ortamlarda çalıştırılması şartsa, mutlaka toprak kaçağı devre kesicisi kullanın.** Toprak kaçağı devre kesicisi kullanımı elektrik çarpmaya tehlikesini azaltır.

## 3) KİŞİLERİN GÜVENLİĞİ

- a) **Dikkatli olun, ne yaptığınıza dikkat edin ve elektrikli el aletinizle çalışırken makul hareket edin. Yorgunsanız, hap, ilaç veya alkol almışsanız aletinizi kullanmayın.** Aletinizi kullanırken bir anlık dikkatsizliğiniz ciddi yaralanmalara yol açabilir.
- b) **Daima kişisel korunma donanımları ve bir koruyucu gözlük kullanın.** Elektrikli el aletinin türü ve kullanımına uygun olarak kullanacağınız toz maskesi, kaymayan sağlam iş ayakkabıları, koruyucu kask veya koruyucu kulaklık gibi kişisel korunma donanımlarını kullanmanız yaralanma tehlikesini büyük ölçüde azaltır.
- c) **Aleti yanlışlıkla çalıştırmaktan kaçının. Akım ikmal şebekesine ve/veya aküye bağlamadan, elinize alıp taşımadan önce elektrikli el aletinin kapalı durumda olduğundan emin olun.** Elektrikli el aletini parmağınız şalter üzerinde dururken taşırsanız ve alet açikken fişi prize sokarsanız kazalara neden olabilirsiniz.
- d) **Aleti çalıştırmadan önce ayar aletlerini veya tornavidaları aletten uzaklaştırın.** Dönen alet parçasına temas halinde bulunan bir uç veya anahtar yaralanmalara neden olabilir.
- e) **Kendinize çok fazla güvenmeyin. Duruşunuzun güvenli olmasına dikkat edin ve daima dengelenizi koruyun.** Bu sayede aletinizi beklenmedik durumlarda daha iyi kontrol edersiniz.
- f) **Uygun iş giysileri giyin. Çalışırken çok bol giysiler giymeyin ve takı takmayın. Saçlarınızı, giysilerinizi ve eldivenlerinizi aletin hareketli parçalarından uzak tutun.** Bol giysiler, takılar veya uzun saçlar aletin hareketli parçaları tarafından tutulabilir.
- g) **Aletinize toz emme donanımı ve toz tutma donanımı takabiliyorsanız, bunların bağlı olup olmadığını ve**

**doğru işlev görüp görmediklerini kontrol edin.** Toz emme donanımının kullanımı tozdan kaynaklanabilecek tehlikeleri azaltır.

## 4) ELEKTRİKLİ EL ALETLERİYLE DİKKATLİ ÇALIŞMAK VE ALETİ DOĞRU KULLANMAK

- a) **Aletinizi aşırı ölçüde zorlamayın. İşinize uygun elektrikli el aletini kullanın.** Uygun elektrikli el aleti ile belirlenen performans alanında daha iyi ve daha güvenli çalışırsınız.
  - b) **Açma/kapama şalteri arızalı olan elektrikli el aletini kullanmayın.** Açılıp kapanamayan bir elektrikli el aleti tehlikelidir ve onarılması gerekir.
  - c) **Alette bir ayarlama işlemine başlamadan ve/veya aküyü çıkarmadan önce, herhangi bir aksesuarı değiştiren veya aleti elinizden bırakırken fişi prizden çekin.** Bu önlem, aletin kontrolünüz dışında ve istenmeden çalışmasını önler.
  - d) **Kullanım dışında iken elektrikli el aletinizi çocukların ulaşamayacağı bir yerde saklayın. Aleti kullanmayı bilmeyen veya bu güvenlik talimatını okumayan kişilerin aleti kullanmasına izin vermeyin.** Deneyimsiz kişiler tarafından kullanıldıkları takdirde elektrikli el aletleri tehlikeli olabilirler.
  - e) **Aletinizin bakımını özenle yapın. Aletin hareketli parçalarının kusursuz işlev görüp görmediklerini ve sıkışmadıklarını, parçaların kırık veya hasarlı olup olmadıklarını kontrol edin, aksi takdirde alet işlevini tam olarak yerine getiremez. Aletinizi kullanmadan önce hasarlı parçaları onartın.** Birçok iş kazası aletlerin kötü ve yetersiz bakımından kaynaklanır.
  - f) **Kesici uçları keskin ve temiz tutun.** İyi bakım görmüş kesici uçlar daha ender sıkışır ve daha iyi yönlendirilirler.
  - g) **Elektrikli el aletlerini, aksesuarı, uçları ve benzerlerini bu güvenlik talimatına uygun olarak kullanın. Aletinizi kullanırken çalışma koşullarını ve yaptığınız işi daima dikkate alın.** Elektrikli el aletlerini kendileri için öngörülen işlerin dışında kullanmak tehlikeli durumların ortaya çıkmasına neden olabilir.
- ## 5) SERVİS
- a) **Aletinizi sadece uzman bir elemana ve orijinal yedek parçaları kullanılarak onartın.** Böylelikle aletin güvenliğini korumuş olursunuz.

## ISITMA TABANCASI İÇİN GÜVENLİK TALİMATI

### KULLANMADAN ÖNCE:

- Her kullanımdan öncesinde cihazın çalışmasını kontrol edin, herhangi bir arıza durumunda, hiç vakit kaybetmeden yetkili servis personeli tarafından onarılmasını sağlayın, cihazı kesinlikle kendiniz açmaya çalışmayın
- Cihazın kordonunu ve fişini her kullanım öncesinde inceleyin ve hasar gören kısımların yetkili servis personeli tarafından değiştirilmesini sağlayın
- Tamamen kusursuz ve güvenli 16 Amp uzatma kabloları kullanın
- Düzenli aralıklarla uzatma kablosunu kontrol edin ve hasar gören kısımlarını hemen değiştirin
- Cihazı ve aksesuarlarını el kitabında açıklanan yönergelere uygun olarak ve yalnızca tasarlandığı amaç doğrultusunda kullanın; cihazın normal olarak kendisinden gerçekleştirilmesi beklenen işlemlerin

dişındaki işlemlerde kullanılması, çok tehlikeli sonuçlara neden olabilir

- Bu alet 16 yaşının altındaki kişiler tarafından kullanılmamalıdır
- Bu alet, güvenliklerinden sorumlu bir kişi tarafından aletin kullanımı ile ilgili gözetim ve açıklama sağlanmadığı takdirde fiziksel, duyuşsal ya da zihinsel olarak gelişmemiş ya da yeterli bilgi ve deneyime sahip olmayan kişiler (çocuklar dahil) tarafından kullanılmamalıdır
- Güç geriliminin, cihazın özellik plakasında belirtilen voltaj değeriyle aynı olduğunu sık sık kontrol edin
- Fişe takarken aletin kapalı olduğundan emin olun

#### **KULLANIM SIRASINDA:**

##### **• Cihazı dikkatli kullanın, kolaylıkla yangına veya yaralanmalara neden olabileceğinizi unutmayın**

- işlem sırasında aşırı ısındıklarından, hava çıkışı/püskürtme ucuna ve ısıtılan nesneye kesinlikle temas etmeyin
- hava çıkışı/püskürtme ucunu üzerinde işlem yapılan nesneye çok yaklaştırmayın
- sıcak havayı aynı yüzeye doğru çok uzun süreyle tutmayın
- cihaz çalışırken hava çıkışı/püskürtme ucuna doğru kesinlikle bakmayın
- cihazı kullanırken eldiven giyin ve koruyucu gözlük takın
- cihazdan çıkan sıcak havayı kesinlikle insanlara veya hayvanlara doğru tutmayın
- cihazı hiçbir zaman saç kurutmak için kullanmayın
- çalışan cihazın başından ayrılmayın
- yanıcı gaz veya parlayıcı malzemenin bulunduğu yerlerde cihazı kesinlikle çalıştırmayın (patlama tehlike)
- plastik, vernik ve benzeri malzemeye çalışırken, işlemin özelliği nedeniyle yanıcı ve zehirli gaz oluşabilir, üzerinde çalışılacak malzeme hakkında önceden bilgi edinmeniz gerekli tedbirleri almanıza yardımcı olacaktır
- ısının hava yoluyla iletilerek çevredeki görünmeyen yanıcı malzemeleri etkileyebileceğini unutmayın
- etraftaki malzemelerden herhangi birinin alev alması olasılığına karşı, cihazın kullanıldığı yerde bir kova su veya bir yangın söndürücü bulundurun

##### **• Elektriksel şoka neden olabilecek durumlardan kaçının**

- hava çıkışı/püskürtme ucundan içeri doğru hiçbir nesne sokmayın
- topraklanmış yüzeylere (boru, radyatör, fırın ve buzdolabı gibi) dokunmayın
- cihazın suyla veya başka bir sıvıyla temas etmemesine dikkat edin
- nemli ortamlarda cihazı kullanmayın
- açık havada kullanırken, cihazı maksimum 30 mA tetikleyici akımı olan bir hatalı akım (FI) devre kesicisine bağlayın ve yalnızca açık havada kullanıma uygun ve su geçirmez ara prizi olan bir uzatma kablosu kullanın

##### **• Cihaz kablosuna dikkat edin**

- kabloya doğrudan sıcak hava tutmayın ve hava çıkışı/püskürtme ucunu hiçbir zaman kabloya dokundurmayın

- kordonu yüksek ısıdan, yağdan ve sivri cisimlerden uzak tutun
- cihazı kordonundan tutarak taşımayın, cihazın fişini prizden çekerken kordonu kullanmayın, fişten tutun
- cihazı kordonundan bir yere asmayın
- Cihazı hiçbir zaman kimyasal çözücülerle birlikte kullanmayın
- Çalışma alanının yeterli derecede havalandırıldığından emin olun
- Çalışma alanının temiz ve iyi aydınlatılmış olmasını sağlayın
- Çocukları çalışma alanından uzak tutun
- Çocukların araçla oynamasını engelleyin
- Açma ve anahtarlar işlemleri kısa süreli gerilim düşmelerine neden olur; elektrik şebekelerinin koşulları uygun olmadığı takdirde bu durum diğer aletlerin çalışmasına olumsuz yönde etki edebilir (0,127 + j0,079 Ohm'dan daha küçük şebeke empedanslarında arızalar ortaya çıkmaz); daha aydınlatıcı bilgi için, bölgenizde bulunan yetkili servise başvurun
- Çalışırken dikkatli ve uyanık olun, ne yaptığınıza dikkat edin, mantıklı davranın ve yorgunken cihazı kullanmayın
- Sabit ve sağlam bir çalışma yeriniz olsun, özellikle merdiven ve basamaklarda uzanma hareketlerinden kaçının
- Cihazı üzerinde çalışılan malzemeden uzaklaştırmadan önce mutlaka kapatın
- Elektriksel veya mekaniksel hatalı çalışma durumunda aleti hemen kapatın ve fişi çekin

#### **KULLANIMDAN SONRA:**

- Cihazı kapatın ve fişini çekin
- **Cihazı yerine kaldırdıktan önce en az 30 dakika süreyle soğumaya bırakın**
- Cihazı, M ② asma halkasından yerine takın veya arka tarafının üstüne dik pozisyonda bir yüzeyin üstüne yerleştirin; tüm bu işlemler sırasında aşağıdakileri gözönünde bulundurun; etrafta yanıcı malzeme veya parlayıcı gaz bulmamalıdır
- Cihazı açık havada bırakmayın/depolamayın
- Cihazı, çocukların erişemeyeceği, kilitli ve kuru bir yerde saklayın

#### **KULLANIM**

- 2 Farklı sıcaklık ayarı olan açma/kapatma anahtarı ④  
! **cihazın fişini takmadan, A anahtarının "0" pozisyonunda olduğunu kontrol edin**
  - A anahtarını istediğiniz pozisyona getirerek cihazı açın:  
I = 50°C + hava akısı 250-500 litre/dk  
II = 50°C ... 650°C, hava akısı 250-500 litre/dk
  - cihaz ilk defa kullanılırken, bir miktar duman çıkabilir, bu normaldir, kısa bir süre sonra duman çıkışı durur
  - A anahtarını "0" pozisyonuna getirerek cihazı kapatabilirsiniz
- Sıcaklık ayarı ⑤
  - B düğmelerine kısa kısa basarak 10°C'lik adımlarla hedef sıcaklığı ayarlayın
  - B düğmelerine sürekli basma, düğmeleri basmayı bırakana dek ya da minimum/maksimum sıcaklığa ulaşılan dek sürekli olarak hedef sıcaklığı artırır/azaltır
  - hedef sıcaklık ayarlandıktan sonra, D görünümü istenen sıcaklığa ulaşılan dek anlık sıcaklık



yükselmesi/düşmesini gösterir (yalnızca "II" pozisyonunda)

- hedef sıcaklık aletin belleğinde saklanır böylece alet her açıldığında seçilmiş olan son hedef sıcaklığına erişir
  - Hava akış ayarı ⑥
    - C düğmelerine kısa süreli basarak, 50 l/dak'lık adımlarla istenen hava akışını ayarlayın
    - ekranda D çubuk grafik şeklinde gerçek akış hızı gösterilir
  - Genel kullanım
    - çalışılacak malzemenin küçük bir bölümü üstünde deneme yaparak doğru çalışma sıcaklığını belirleyin; tam değerden daha düşük bir sıcaklık değeriyle çalışmaya başlayın
    - hava çıkışı/püskürtme ucu ile çalışılacak malzeme arasındaki mesafe arttığında, çalışma sıcaklığı düşer
    - gerekli çalışma sıcaklığı malzeme özelliklerine bağlıdır
  - Cihaz sabit durumdayken kullanım ⑦
    - cihazı arka tarafı üstüne dik pozisyonda bir yüzeyin üstüne yerleştirin
    - yüzeyin temiz ve tozsuz olmasına dikkat edin, çalıştırıldığı ortamın havasının kirliliği, motora zarar verir
    - cihazdan çıkan havanın size doğru gelmediğinden emin olun
    - cihazın kablosunu sabitleyerek, herhangi bir takılma veya çekme durumunda cihazın yerinden oynamasını veya düşmesini önleyebilirsiniz
    - hava çıkışı/püskürtme ucuna kesinlikle dokunmayın
    - hava çıkışı/püskürtme ucundan içeri herhangi bir nesnenin girmemesini sağlayın
    - cihazı bir elinizle tutarken, diğer elinizle kapatın ve soğumaya bırakın
  - Erişilmesi güç yerlerde kullanım
    - E ② halkasını çıkartarak sıcak hava püskürtme alanını genişletebilirsiniz
  - ! **ancak, bu durumda artan yangın ve yaralanma riskine karşı çok daha fazla dikkatli olun**
  - Aletin tutulması ve kullanılması ⑧
    - cihazı tek elinizle tutun
    - havalandırma yuvalarını F ② açık tutun
  - Standart aksesuarlar ②
    - cam koruma ucu G (havayı yönlendirmek için)
    - yassı uç H (hava akışını genişletmek için)
    - yansıtıcı uç J (havayı yönlendirmek için)
    - odaklayıcı uç K (hava etki alanını yoğunlaştırmak için)
- NOTLAR:**
- uygulama örneklerinin tümü (cam yüzeyden boya çıkarılması dışında), herhangi bir aksesuar kullanılmadan gerçekleştirilebilir, bununla birlikte işe uygun aksesuarın kullanılması, yapılan işi kolaylaştırdığı gibi, elde edilen iş kalitesini de önemli ölçüde arttırmaktadır
  - bu alet BOSCH ısı tabancası aksesuarları ile ve diğer ısı tabancası aksesuarları ile birlikte kullanılabilir
- Aksesuarların takılması/çıkartılması
  - aksesuarı, hava çıkış ucuna L ② takın
  - cihaz yeterince soğuduktan sonra, aksesuarı öne doğru çekerek cihazdan çıkartın

! **cihaza, yalnızca hava çıkış ucu soğukken, anahtar "0" konumundayken ve cihazın fisi takılı değilken aksesuar takın**

- Asma halka M ⑨
  - cihazın kolay saklanması için
- ! **cihazı yerine kaldırmadan önce en az 30 dakika süreyle soğumaya bırakın**
- Sabit ısının kontrolü (aşırı yüklemeye karşı koruma)  
Isıtıcı elemanın zarar görmesini önlemek amacıyla, cihaz aşırı yüklendiğinde onu kapatmak ve/veya bir süre soğutmak zorunda kalmadan devreye giren sistem
  - çalışma sıcaklığı çok arttığında cihazdaki ısıtıcı eleman kendi kendini devre dışı bırakır, bu arada cihazın motoru çalışmayı sürdürerek etrafa soğuk hava verir
  - çalışma sıcaklığı yeniden normale döndüğünde (birkaç saniye sonra), ısıtıcı eleman yeniden otomatik olarak devreye girer
- ! **yüksek sıcaklık ayarında bir süre çalıştıktan sonra alet kapatılıp kısa süre sonra yeniden açıldığında, ısıtma elemanlarının istenen sıcaklığa ulaşması biraz zaman alabilir**

## UYGULAMA

- Boya/cila çıkarma ⑩
    - temiz, keskin bir sistre kullanın
    - boya yumuşayıncaya kadar sıkıca kazıyın
    - en iyi sonucu elde etmek için yüzeye ısı uygulanması gereken süreyi ancak deneyerek belirleyebilirsiniz
    - yumuşayan boyayı hemen yüzeyden kazıyın, çok kısa sürede yeniden sertleşebilir
    - uygulama sırasında, cihaz ve çalışma yüzeyi arasında 30° - 40°'lik bir açı bırakın
    - yanmalarını önlemek amacıyla, boya ve artık maddeleri sistreden hemen temizleyin
    - boyayı tamamen kazımak için mümkün olduğu kadar fazla talaş kaldırın
    - sıcak havayı aynı yüzeye doğru çok uzun süreyle tutmayın
    - boya artıklarının tümünü güvenli bir şekilde atın
    - işi tamamladıktan sonra, çalışma yerini iyice temizleyin
  - ! **eski binalardaki boya katmanlarını kazırken dikkatli olun, eski binalar kurşun içeren boya kullanılarak boyanmış olabilir, bu tür boyalar oldukça zehirlidir ve solunması sağlık açısından tehlike oluşturabilir**
  - ! **çok düşük seviyede bile olsa kursun solunması, önemli beyin ve sinir sistemi tahribatına neden olabilir, özellikle küçük çocukların ve hamile kadınların korunması gerekir**
  - ! **kurşun esaslı boyanın daha tecrübeli bir profesyonel tarafından, mümkünse ısıtma tabancası kullanılmadan kazınmasını sağlayın**
- BAŞKA BİR UYGULAMA ÖRNEĞİ:**
- ★ duvar kaplaması (sentetik) kazıma
  - Pencerelerden boya/cila çıkarma ⑪
    - cama yakın çalışırken daima cam koruma ucunu G kullanın
    - boyayı el sistsresiyle kazıyın
  - ! **cihazı, metal çerçeveli pencerelerdeki boyayı çıkartmak için kullanmayın; metal ısıyı ilettiğinden, işlem sırasında cam kırılabilir**

- Etiket çıkartma (H yassı ucunu kullanın) ⑫
  - ısıtma işlemi, yapışkanların çoğunu yumuşatarak, yapışkan bağlarının ayrılmasına ve fazla yapışkanın atılmasına olanak tanır
- ! **etiketi üstünden ısıtın**
- ! **alt yüzeyi fazla ısıtmamaya dikkat edin**
- FARKLI UYGULAMA ÖRNEKLERİ:
  - ★ muşamba ve marley kaplamanın sökülmesi
  - ★ sentetik iplikten yapılmış halıların kaldırılması
  - ★ tahta kaplama plakalarının sökülmesi/kaplanması
  - ★ katran, kalay, bitüm, balmumu yumuşatma/eritme (H yassı ucunu kullanın)
  - ★ cilalama (kayak takımları, mobilyalar) (H yassı ucunu kullanın) ⑬
  - ★ reçine temizleme
  - ★ paslı veya çok sıkıştırılmış metal vidaların, somunların ve civataların açılması
  - ★ balmumunu yüzeyden temizleme (**alttaki yüzeyi fazla ısıtmamaya dikkat edin**)
  - ★ kırılan/bükülen mumları orijinal şekillerine dönüştürme
- Sıcak geçme uygulamaları ⑭
  - J yansıtıcı ucunu veya K odaklayıcı ucunu kullanın
  - üzerinde çalışılan iş parçasına uygun çapta bir sıkı geçme hortumu seçin
  - ısı büzüşmeli hortumun her tarafını eşit olarak ısıtın
- BAŞKA BİR UYGULAMA ÖRNEĞİ:
  - ★ büzüşterek sarma
- Su borularını birleştirme ⑮
  - Bu cihaz, özellikle erime noktası 400°'den daha düşük olan yumuşak lehim kullanılan işler için uygundur
  - J yansıtıcı ucunu kullanın
  - lehimleme işleminden önce, birleştirilecek olan her iki parça da iyice temizlenmelidir
  - ön ısıtmadan sonra, her iki kısma da lehim uygulayın (kurşun içeren lehim tellerini kullanmayın)
- Donmuş su borularının buzunu çözme ⑯
  - J yansıtıcı ucunu kullanın
  - donmuş bölgeyi homojen (ısıyı eşit biçimde yayarak) bir şekilde ısıtın
- ! **su borularının, gaz borularından ayırdedilmesi genellikle zordur ve patlama tehlikesi çok yüksek olduğundan gaz borularının ısıtılması çok tehlikelidir**
- FARKLI UYGULAMA ÖRNEKLERİ:
  - ★ donan PVC su boruların buzunu çözme (I pozisyonu, maks. 60°C)
  - ★ donmuş otomobil kilitlerinin açılması (I pozisyonu, maks. 60°C) (K odaklayıcı ucunu kullanın)
  - ★ dondurucuların buzunu çözme (**plastik parçalara zarar vermekten kaçının**)
  - ★ buzla kaplanan basamak ve kaldırımların buzunu çözme
- Plastik tüpleri şekillendirme
  - J yansıtıcı ucunu kullanın
  - ısıyla büzüşen tüpün şeklinin bozulmaması için içini kumla doldurun, her iki ucunu da kapatın
  - ısı büzüşmeli tüpü, bir uçtan diğerine homojen bir şekilde ısıtın
- FARKLI UYGULAMA ÖRNEKLERİ:
  - ★ düşük erime noktasına sahip tüm plastik malzemelerin şekillendirilmesi (polietilen, PVC, vb.)

- ★ yüksek erime noktasına sahip tüm plastik malzemelerin şekillendirilmesi (akrilik cam, pleksiglas vb.)
- ★ sentetik iplikten yapılmış halıların bükülmesi ve şekillendirilmesi
- ★ ağaçtan yapılmış cisimlerin bükülmesi ve şekillendirilmesi (model yapımı)
- Plastik cisimlere kaynak uygulama
  - kaynak noktası temiz olmalı ve yüzeyde yağ bulundurmamalıdır
  - kaynak çubuğunu birleştirme noktasına yakın tutun ve çubuk erimeye başlayana kadar ısı uygulayın
  - kaynak değişik yeri doldurulunca ısı uygulamayı durdurun
- FARKLI UYGULAMA ÖRNEKLERİ:
  - ★ sörf tahtalarının, kayakların ve diğer sentetik spor malzemelerinin onarılması (H yassı ucunu kullanın)
  - ★ PVC malzemelerin kaynak yapılması
  - ★ PVC etiketleri yapıştırdıktan sonra oluşan kabartıların düzeltilmesi
  - ★ bahçe hortumlarının birbirine bağlanması (J yansıtıcı ucunu kullanın)
- Kurutma
  - ! **kurutmayı yalnızca düşük sıcaklık veya orta ayarı (1 veya 2 pozisyonu) kullanarak yapın ve cihaz ile iş parçası arasında normalden daha fazla bir mesafe bırakın**
  - boya, vernik, alçı, harç ve sıva gibi malzemelerin kurutulması
  - doldurmadan önce nemli ahşabın kurutulması
  - kalın uygulanan dolgu maddesinin veya yapıştırıcının daha çabuk kurutulması
  - yalıtım veya sızdırmazlık sağlanmadan önce ekleme yerlerinin kurutulması
  - tekne yapımında ekleme yerlerinin ve çatlakların kurutulması
- Temizleme/arındırma
  - tavşan ve güvercin yuvalarının mikroplardan arındırılması (önce içerideki hayvanları dışarı çıkarmayı unutmayın)
  - karıncalarla mücadele
  - tahtakurusu ve tahta kurtlarıyla mücadele (cihazı, tahta malzemenin belli bir mesafede tutun)
  - zararlı otların temizlenmesi

## BAKIM / SERVİS

- Bu alet profesyonel kullanıma yönelik değildir
- Aleti ve kabloğunu daima temiz tutun (özellikle havalandırma yuvalarını F ②)
- Isıtma tabancasını temizlemek için yarıcı sıvı kullanmayın, özellikle de hava çıkışı/püskürtme ucunu
- Dikkatli biçimde yürütülen üretim ve test yöntemlerine rağmen aleti anıza yapacak olursa, onarım SKIL elektrikli aletleri için yetkili bir serviste yapılmalıdır
- aleti ambalajıyla birlikte satın alma belgenizde ekleyerek satıcınıza veya en yakın SKIL servisine ulaştırın (adresler ve aletin servis şemaları [www.skil.com](http://www.skil.com) adresinde listelenmiştir)

## ÇEVRE

- **Elektrikli aletlerini, aksesuarları ve ambalajları evdeki çöp kutusuna atmayınız** (sadece AB ülkeleri için)
  - kullanılmış elektrikli aletleri, elektrik ve elektrikli eski cihazlar hakkındaki 2012/19/EC Avrupa yönergelerine göre ve bu yönergeler ulusal hukuk kurallarına göre uyarlanarak, ayrı olarak toplanmalı ve çevre şartlarına uygun bir şekilde tekrar değerlendirmeye gönderilmelidir
  - sembol 17 size bunu anımsatmalıdır

## UYGUNLUK BEYANI CE

- Tek sorumlu olarak "Teknik veriler" bölümünde tanımlanan ürünün aşağıdaki norm veya normatif belgelere uygunluğunu beyan ederiz: EN 60335, EN 61000, EN 55014, yönetmeliği hükümleri uyarınca 2006/95/EG, 2004/108/EG, 2011/65/EU
- **Teknik belgelerin bulunduğu merkez:** SKIL Europe BV (PT-SEU/ENG1), 4825 BD Breda, NL

Marijn van der Hoofden  
Operations & Engineering

Olaf Dijkgraaf  
Approval Manager

SKIL Europe BV, 4825 BD Breda, NL

03.09.2014

CE11

PL

## Opalarka

8004

## WSTĘP

- Niniejsze urządzenie służy do usuwania farby, kształtowania i zgrzewania plastiku oraz podgrzewania rur termokurczliwych; można go także używać do lutowania i pokrywania cyną, poluzowywania spoin klejowych oraz odmrażania rur
- Narzędzie nie jest przeznaczone do zastosowań profesjonalnych
- Przeczytać i zachować niniejszą instrukcję obsługi ③

## DANE TECHNICZNE ①

### ELEMENTY NARZĘDZIA ②

- A Włacznik/wyłącznik
- B Przyciski do ustawiania temperatury
- C Przyciski do ustawiania strumienia powietrza
- D Wyświetlacz (LCD)
- E Pierścień ochronna
- F Szczeliny wentylacyjne
- G Dysza chroniąca szyby
- H Dysza płaska
- J Dysza odchylająca
- K Dysza redukcyjna
- L Wylot powietrza/dysza
- M Pierścień do zawieszania opalarki

## BEZPIECZEŃSTWO

### OGÓLNE PRZEPISY BEZPIECZEŃSTWA

**UWAGA!** Należy przeczytać wszystkie wskazówki i przepisy. Błędy w przestrzeganiu poniższych wskazówek mogą spowodować porażenie prądem, pożar i/lub ciężkie obrażenia ciała. **Należy starannie przechowywać wszystkie przepisy i wskazówki bezpieczeństwa dla dalszego zastosowania.** Użyte w poniższym tekście pojęcie "elektronarzędzie" odnosi się do elektronarzędzi zasilanych energią elektryczną z sieci (z przewodem zasilającym) i do elektronarzędzi zasilanych akumulatorami (bez przewodu zasilającego).

### 1) BEZPIECZEŃSTWO MIEJSCA PRACY

- a) **Miejsce pracy należy utrzymywać w czystości i dobrze oświetlone.** Nieporządek lub nie oświetlone miejsce pracy mogą doprowadzić do wypadków.
- b) **Nie należy pracować tym narzędziem w otoczeniu zagrożonym wybuchem, w którym znajdują się np. łatwopalne ciecze, gazy lub pyły.** Elektronarzędzia wytwarzają iskry, które mogą podpalić ten pył lub pary.
- c) **Elektronarzędzie trzymać podczas pracy z daleka od dzieci i innych osób.** Przy nieuwadze można stracić kontrolę nad narzędziem.

### 2) BEZPIECZEŃSTWO ELEKTRYCZNE

- a) **Wtyczka urządzenia musi pasować do gniazda. Nie wolno modyfikować wtyczki w jakikolwiek sposób. Nie należy używać wtyczek adapterowych razem z uziemionymi narzędziami.** Nieziemione wtyczki i pasujące gniazda zmniejszają ryzyko porażenia prądem.
  - b) **Należy unikać kontaktu z uziemionymi powierzchniami jak rury, grzejniki, piece i lodówki.** Istnieje zwiększone ryzyko porażenia prądem, gdy Państwa ciało jest uziemione.
  - c) **Urządzenie należy przechowywać zabezpieczone przed deszczem i wilgocią.** Wniknięcie wody do elektronarzędzia podwyższa ryzyko porażenia prądem.
  - d) **Nigdy nie należy używać kabla do innych czynności. Nigdy nie używać kabla do noszenia urządzenia za kabel, zawieszania lub do wyciągania wtyczki z gniazda. Kabel należy trzymać z daleka od wysokich temperatur, oleju, ostrych krawędzi lub ruchomych części urządzenia.** Uszkodzone lub poplątane kable zwiększają ryzyko porażenia prądem.
  - e) **W przypadku, kiedy elektronarzędziem pracuje się na świeżym powietrzu należy używać kabla przedłużającego, który dopuszczony jest do używania na zewnątrz.** Użycie dopuszczonego do używania na zewnątrz kabla przedłużającego zmniejsza ryzyko porażenia prądem.
  - f) **Jeżeli nie da się uniknąć zastosowania elektronarzędzia w wilgotnym otoczeniu, należy użyć wyłącznika ochronnego różnicowo-prądowego.** Zastosowanie wyłącznika ochronnego różnicowo-prądowego zmniejsza ryzyko porażenia prądem.
- ### 3) BEZPIECZEŃSTWO OSÓB
- a) **Należy być uważnym, uważać na to co się robi i pracę elektronarzędziem rozpoczynać z rozsądkiem. Nie należy używać urządzenia gdy jest się zmęczonym lub pod wpływem narkotyków, alkoholu**

- lub lekarstw. Moment nieuwagi przy użyciu urządzenia może doprowadzić do poważnych urażeń ciała.
- b) **Należy nosić osobiste wyposażenie ochronne i zawsze okulary ochronne.** Noszenie osobistego wyposażenia ochronnego jak maska przeciwyplwowa, nie ślizgające się buty robocze, hełm ochronny lub ochrona słuchu, w zależności od rodzaju i zastosowania elektronarzędzia zmniejsza ryzyko obrażeń ciała.
- c) **Należy unikać niezamierzonego uruchomienia narzędzia. Przed włożeniem wtyczki do gniazdka i/ lub podłączeniem do akumulatora, a także przed podniesieniem lub przeniesieniem elektronarzędzia, należy upewnić się, że elektronarzędzie jest wyłączone.** Trzymanie palca na wyłączniku podczas przenoszenia elektronarzędzia lub podłączenia do prądu włączonego narzędzia, może stać się przyczyną wypadków.
- d) **Zanim urządzenie zostanie włączone należy usunąć narzędzia nastawcze lub klucze.** Narzędzie lub klucz, które znajdują się w ruchomych częściach urządzenia mogą doprowadzić do obrażeń ciała.
- e) **Nie należy przeceniać swoich możliwości. Należy dbać o bezpieczną pozycję pracy i zawsze utrzymywać równowagę.** Przez to możliwa jest lepsza kontrola urządzenia w nieprzewidzianych sytuacjach.
- f) **Należy nosić odpowiednie ubranie. Nie należy nosić luźnego ubrania lub biżuterii. Włosy, ubranie i rękawice należy trzymać z daleka od ruchomych elementów.** Luźne ubranie, biżuteria lub długie włosy mogą zostać pociągnięte przez poruszające się części.
- g) **W przypadku, kiedy możliwe jest zamontowanie urządzeń odsysających lub podchwytyjących należy upewnić się, czy są one właściwie podłączone i prawidłowo użyte.** Użycie urządzenia odsysającego pył może zmniejszyć zagrożenie pyłami.
- 4) UWAGA OBCOWANIE ORAZ UŻYCI ELEKTRONARZĘDZIA**
- a) **Nie należy przeciążać urządzenia. Do pracy używać należy elektronarzędzia, które jest do tego przewidziane.** Odpowiednim narzędziem pracuje się lepiej i bezpieczniej w podanym zakresie sprawności.
- b) **Nie należy używać elektronarzędzia, którego włącznik/wyłącznik jest uszkodzony.** Elektronarzędzie, którego nie można włączyć lub wyłączyć jest niebezpieczne i musi zostać naprawione.
- c) **Przed regulacją urządzenia, wymianą osprzętu lub po zaprzestaniu pracy narzędziem, należy wyciągnąć wtyczkę z gniazda i/lub usunąć akumulator.** Ten środek ostrożności zapobiega niezamierzonemu włączeniu się urządzenia.
- d) **Nie używane elektronarzędzia należy przechowywać poza zasięgiem dzieci. Nie należy udostępniać narzędzia osobom, które jego nie umieją lub nie przeczytały tych przepisów.** Używane przez niedoświadczonych osoby elektronarzędzia są niebezpieczne.
- e) **Urządzenie należy starannie konserwować. Należy kontrolować, czy ruchome części urządzenia funkcjonują bez zarzutu i nie są zablokowane, czy części nie są pęknięte lub uszkodzone, co mogłoby mieć wpływ na prawidłowe funkcjonowanie urządzenia. Uszkodzone narzędzie należy przed**

- użyciem urządzenia oddać do naprawy.** Wiele wypadków spowodowanych jest przez niewłaściwą konserwację elektronarzędzi.
- f) **Osprzęt tnący należy utrzymywać ostry i czysty.** Starannie pielęgnowany osprzęt tnący z ostrymi krawędziami tnącymi blokuje się rzadziej i łatwiej się używa.
- g) **Elektronarzędzia, osprzęt, narzędzia itd. należy używać odpowiednio do tych przepisów. Uwzględnić należy przy tym warunki pracy i czynności do wykonania.** Użycie elektronarzędzi do innych niż przewidziane prace może doprowadzić do niebezpiecznych sytuacji.
- 5) SERWIS**
- a) **Naprawę urządzenia należy zlecić jedynie kwalifikowanemu fachowcowi i przy użyciu oryginalnych części zamiennych.** To gwarantuje, że bezpieczeństwo użytkowania zostanie zachowane.

## PRZEPISY BEZPIECZEŃSTWA OPALARKI

### PRZED ROZPOCZĘCIEM PRACY:

- Sprawdzić, czy urządzenie działa prawidłowo; w przypadku uszkodzenia naprawy powinien dokonać wykwalifikowany personel techniczny; nigdy nie otwierać samemu urządzenia
- Sprawdzić przewód zasilający oraz wtyczkę; w przypadku stwierdzenia uszkodzeń winien być on wymieniony przez wykwalifikowany personel techniczny
- W przypadku korzystania z kabla przedłużającego należy zwrócić uwagę, aby był maksymalnie nawinięty na bęben oraz był przystosowany do przewodzenia prądu o natężeniu przynajmniej 16 A
- Regularnie sprawdzać przedłużacz i wymieniać go w przypadku uszkodzenia
- Urządzenia i akcesoriów używać zgodnie z ich przeznaczeniem i wskazówkami zawartymi w niniejszej instrukcji; stosowanie niniejszego urządzenia niezgodnie z przeznaczeniem może spowodować zagrożenie
- Narzędzie nie powinny używać dzieci poniżej 16 roku życia
- To urządzenie nie może być obsługiwane przez osoby (włącznie z dziećmi) o obniżonych zdolnościach fizycznych, sensorycznych lub umysłowych, nieposiadające stosownego doświadczenia i wiedzy, chyba że używają go pod nadzorem osoby odpowiedzialnej za ich bezpieczeństwo lub zostały przez nią odpowiednio poinstruowane w zakresie obsługi urządzenia
- Każdorazowo sprawdzać, czy napięcie zasilania jest zgodne z napięciem podanym na tabliczce znamionowej urządzenia
- Przed podłączeniem do prądu należy się upewnić, że narzędzie jest wyłączone

### W TRAKCIE PRACY:

- **W celu uniknięcia pożaru i oparzeń należy zachować niezbędne środki ostrożności**
  - nie dotykać wylotu powietrza/dyszy oraz rozgrzanego przedmiotu, ulegają one bardzo silnemu nagraniu
  - nie zbliżać nadmiernie wylotu powietrza/dyszy do obrabianego przedmiotu

- nie kierować zbyt długo strumienia gorącego powietrza na tę samą powierzchnię
- nie zaglądać w wylot powietrza/dyszę
- stosować rękawice i okulary ochronne
- nigdy nie kierować strumienia gorącego powietrza w stronę ludzi lub zwierząt
- nie stosować urządzenia do suszenia włosów
- nigdy nie pozostawiać urządzenia bez nadzoru
- nie stosować urządzenia w pobliżu gazu i innych materiałów łatwopalnych (**niebezpieczeństwo wybuchu**)
- podczas pracy z plastikiem, farbą, lakierem i podobnymi materiałami mogą wydzielać się łatwopalne i trujące gazy; z obrabianymi materiałami należy zapoznać się przed rozpoczęciem pracy
- pamiętać, iż nagrzanemu mogą ulec materiały łatwopalne znajdujące się poza polem widzenia
- ze względów bezpieczeństwa przygotować wiadro z wodą lub gaśnicę na wypadek zapalenia się materiału
- **Aby uniknąć porażenia prądem**
  - nie wprowadzać żadnych przedmiotów do wylotu powietrza/dyszy
  - unikać dotykania powierzchni uziemionych (np. rur, grzejników, piecyków, lodówek)
  - unikać zamoczenia urządzenia
  - nie używać urządzenia w miejscach o dużej wilgotności
  - pracując na otwartym powietrzu podłączając urządzenie za pośrednictwem wyłącznika prądu zabezpieczeniowego (FI), wyzwalanego prądem o natężeniu nie przekraczającym 30 mA; używać wyłącznie specjalnego przedłużacza do pracy na otwartym powietrzu wyposażonego w bryzgoszczelne gniazdo sprzęgające
- **Przewód należy chronić przed uszkodzeniem**
  - chronić przewód zasilający przed strumieniem gorącego powietrza z wylotu/dyszy
  - trzymać przewód z dala od źródeł ciepła, oleju oraz ostrych krawędzi
  - przy przenoszeniu urządzenia nie trzymać go za przewód i nie wyszarpywać przewodu z gniazda
  - nie wieszkać urządzenia na przewodzie
- Nigdy nie używać urządzenia w połączeniu z rozpuszczalnikami chemicznymi
- Sprawdzić, czy miejsce pracy jest dostatecznie wentrowane
- Dbać o porządek i dobre oświetlenie w miejscu pracy
- Nie dopuszczać dzieci do miejsca pracy
- Upewnić się, że dzieci nie bawią się urządzeniem
- Włączenia urządzenia powodują krótkotrwałe obniżenia napięcia w sieci; przy niekorzystnych warunkach sieciowych mogą wystąpić zakłócenia pracy innych urządzeń (przy impedancjach sieciowych mniejszych niż 0,127 + j0,079 Ohm zakłócenia nie występują); w razie potrzeby dodatkowych wyjaśnień, prosimy o kontakt z lokalnym dostawcą energii elektrycznej
- Zachować czujność; pracować uważnie, kierować się zdrowym rozsądkiem i nie używać urządzenia w przypadku zmęczenia
- Przyjąć bezpieczną pozycję, nie wychylać się nadmiernie, zwłaszcza podczas pracy na drabinie lub podwyższeniu

- Przed odłożeniem urządzenia sprawdzić, czy jest wyłączone
- W przypadku wadliwego działania mechanicznych lub elektrycznych elementów urządzenia, należy bezzwłocznie odłączyć narzędzie i wyjąć wtyczkę

#### PO PRACY:

- Wyłączyć urządzenie i odłączyć przewód zasilający
- **Przed umieszczeniem urządzenia w miejscu jego przechowywania pozostawić je do ochłodzenia na co najmniej 30 minut**
- Zawiesić urządzenie za pierścień M ② lub postawić na tylnej części w pozycji pionowej; sprawdzić, czy w pobliżu nie ma materiałów lub gazów łatwopalnych
- Nie przechowywać/pozostawiać urządzenia na otwartym powietrzu
- Przechowywać urządzenia w suchym, zamkniętym pomieszczeniu z dala od dzieci

## UŻYTKOWANIE

- Wyłącznik z 2 ustawieniami temperatury ④
  - ! **przed podłączeniem do sieci sprawdzić, czy przełącznik A znajduje się w położeniu "0"**
  - włączyć urządzenie przesuwając przełącznik A w odpowiednie położenie:
    - I = 50°C + przepływ powietrza – 250-500 litrów na minutę
    - II = 50°C ... 650°C, przepływ powietrza – 250-500 litrów na minutę
  - przy pierwszym użyciu urządzenie może wydzielać dym; jest to normalny objaw, który szybko ustaje
  - wyłączyć urządzenie przesuwając przełącznik A w położenie "0"
- Ustawianie temperatury ⑤
  - przy pomocy krótkich naciśnień przycisków B ustaw żądaną temperaturę (skala zmienia się co 10°C)
  - przyciskając i przytrzymując przyciski B zwiększaj/zmniejszaj żądaną temperaturę do momentu ich zwolnienia lub osiągnięcia minimalnej/maksymalnej temperatury
  - po ustawieniu żądanej temperatury wyświetlacz D pokazuje rosnącą/malejącą temperaturę rzeczywistą do momentu osiągnięcia żądanej temperatury (tylko w położeniu "II")
  - poziom żądanej temperatury zostanie przechowany w pamięci narzędzia, aby za każdym razem po jego włączeniu nagrzać się do ostatnio wybranej pozycji
- Ustawienie strumienia powietrza ⑥
  - przy pomocy krótkich naciśnień przycisków C ustaw żądany przepływ powietrza (skala zmienia się co 50 l/min)
  - wyświetlacz D przedstawia faktyczne ustawienie przepływu powietrza w postaci wykresu słupkowego
- Ogólne zasady użytkowania
  - ustawić właściwą temperaturę wypróbować urządzenie na mniej widocznej części obrabianego przedmiotu; zacząć on niskiej temperatury
  - temperatura spada wraz ze wzrostem odległości pomiędzy obrabianym przedmiotem a wylotem powietrza/dyszą
  - wymagana temperatura zależy od rodzaju obrabianego materiału

- Zastosowanie stacjonarne ⑦
    - ustawić urządzenie na tylnej części, w pozycji pionowej
    - sprawdzić, czy powierzchnia jest czysta i nie ma na niej kurzu; zanieczyszczone powietrze powoduje uszkodzenie silnika
    - sprawdzić, czy strumień powietrza kierowany jest w przeciwną stronę
    - zabezpieczyć przewód sieciowy w celu uniknięcia przewrócenia urządzenia
    - nie dotykać wylotu powietrza/dyszy
    - dopilnować, aby nic nie dostało się do wylotu powietrza/dyszy
    - ostrożnie przytrzymać urządzenie jedną ręką i wyłączyć je drugą; pozostawić do ostygnięcia
  - Stosowanie w trudnodostępnych miejscach
    - zdjąć pierścieni E ② w celu odsłonięcia metalowej części wylotu powietrza na większej długości

**! uwaga: zwiększa się niebezpieczeństwo oparzenia i spowodowania pożaru**
  - Utrzymywanie i prowadzenie narzędzia ⑧
    - trzymać urządzenie jedną ręką
    - szczeliny wentylacyjne F ② powinny być odkryte
  - Standardowe wyposażenie ②
    - dysza chroniąca szyby G (do odchylenia strumienia powietrza)
    - dysza płaska H (do rozszerzania strumienia powietrza)
    - dysza odchylająca J (do zaginania strumienia powietrza)
    - dysza redukcyjna K (do skupiania strumienia powietrza)
- UWAGI:**
- korzystanie z akcesoriów nie jest konieczne w większości zastosowań (**z wyjątkiem usuwania farby z ram okiennych**), jednakże zastosowanie odpowiednich akcesoriów ułatwia pracę i pozwala osiągnąć lepsze wyniki
  - narzędzie można również używać w połączeniu z akcesoriami do opalarek firmy BOSCH oraz innych firm
- Montaż oraz demontaż akcesoriów
    - nałożyć odpowiednią dyszę na wylot powietrza L ②
    - po ostygnięciu zdjąć dyszę, ciągnąc ją ku sobie

**! akcesoria instalować wyłącznie na zimny wylot powietrza, przy wyłączniku w pozycji "0" i odłączonym zasilaniu**
  - Pierścień do zawieszenia opalarki M ⑨
    - do łatwego przechowywania urządzenia

**! przed umieszczeniem urządzenia w miejscu jego przechowywania pozostawić je do ochłodzenia na co najmniej 30 minut**
  - Kontrola konstant ogrzewania (zabezpieczenie przed przeciążeniem)
 

Chroni element grzewczy przed uszkodzeniem, kiedy urządzenie jest przeciążone bez konieczności przerywania pracy i chłodzenia urządzenia

    - przy nadmiernym wzroście temperatury część grzewcza ulega wyłączeniu, podczas gdy silnik pracuje dalej wytwarzając chłodne powietrze
    - po dostatecznym ochłodzeniu (po kilku sekundach) element grzewczy zostanie automatycznie włączony

**! gdy po pracy w wysokiej temperaturze narzędzie zostanie wyłączone i szybko włączone z powrotem, osiągnięcie wymaganej temperatury przez element grzewczy może zająć nieco czasu**

## WSKAZÓWKI UŻYTKOWANIA

- Usuwanie farby lub lakieru ⑩
  - stosować czystą, ostrą skrobaczkę
  - zeszkrobywać po zmięknięciu farby
  - w drodze kilku prób ustalić optymalny czas ogrzewania
  - zeszkrobać zmiękzoną farbę zanim ponownie stwardnieje
  - urządzenie trzymać pod kątem 30° do 40° w stosunku do obrabianego przedmiotu
  - złączoną farbę natychmiast usunąć ze skrobaczki, aby się nie zapaliła
  - jeśli to możliwe, skrobać wzdłuż słoi drewna
  - nie kierować zbyt długo strumienia gorącego powietrza na tę samą powierzchnię
  - w bezpieczny sposób usunąć złączoną farbę
  - starannie posprzątać miejsce pracy po zakończeniu robót

**! zachować ostrożność przy usuwaniu warstw farby w starych budynkach; dawniej używano farb zawierających silnie trujące ołów**

**! nawet niewielkie dawki ołowiu mogą powodować poważne uszkodzenia mózgu i układu nerwowego, szczególnie u dzieci (również nienarodzonych)**

**! usunięcie farby zawierającej ołów zlecić wykwalifikowanemu personelowi technicznemu fachowcowi; nie stosować opalarki**
- PRZYKŁADY INNYCH ZASTOSOWAŃ:
  - ★ usuwanie (syntetycznego) pokrycia ścian
- Usuwanie farby lub lakieru z ram okiennych ⑪
  - pracując przy oknach, używać zawsze dyszy chroniącej szyby G
  - usunąć farbę ręczną skrobaczką

**! nie stosować urządzenia do usuwania farby z metalowych ram okiennych, gdyż metal dobrze przewodzi ciepło, co może prowadzić do pęknięcia szyby**
- Usuwanie naklejek (stosować płaską dyszę H) ⑫
  - wiele klejów mięknie pod wpływem ciepła, co pozwala rozdzielić sklezione elementy i usunąć resztę kleju

**! podgrzewać naklejki od strony wierzchniej**

**! pamiętać , aby nie nagrzać zbyt mocno powierzchni pod naklejką**
- PRZYKŁADY INNYCH ZASTOSOWAŃ:
  - ★ usuwanie linoleum i posadzek winylowych
  - ★ usuwanie wykładzin z włókien sztywnych
  - ★ usuwanie forniru oraz nakładanie okładzin fornirowych
  - ★ zmiękczenie i topienie smoły, cyny, nawierzchni bitumicznych i wosku (stosować płaską dyszę H)
  - ★ woskowanie (nart, mebli) (stosować płaską dyszę H)
- ⑬
  - ★ usuwanie żywic
  - ★ poluzowywanie zardzewiałych lub zbyt mocno dokręconych wkrętów, nakrętek i śrub metalowych
  - ★ usuwanie wosku (**pamiętać, aby nie nagrzać zbyt mocno spodniej powierzchni**)

- ★ naprawa złamanych świec i przywracanie pierwotnego kształtu wygiętym świecom
- Pasowanie skurczowe (14)
  - stosować dyszę odchylającą J lub dyszę redukcyjną K
  - wybrać rurę termokurczliwą o średnicy odpowiadającej obrabianemu przedmiotowi
  - równomiernie ogrzewać rurę

#### PRZYKŁADY INNYCH ZASTOSOWAŃ:

- ★ obkurczanie
- Łączenie rur wodociągowych (15)
 

Niniejsze urządzenie nadaje się zwłaszcza do pracy z iękkimi lutami (temperatura topnienia poniżej 400°)

  - stosować dyszę odchylającą J
  - dokładnie wyczyścić oba elementy przeznaczone do połączenia przed rozpoczęciem lutowania
  - podgrzać wstępnie oba elementy i nałożyć lut (nie stosować lut zawierającej ołów)
- Odmrażanie rur wodociągowych (16)
  - stosować dyszę odchylającą J
  - równomiernie ogrzać zamrożoną powierzchnię

**! często trudno odróżnić rury wodociągowe wodą od rur gazowych; ogrzewanie rur gazowych jest bardzo niebezpieczne ze względu na możliwość eksplozji**

#### PRZYKŁADY INNYCH ZASTOSOWAŃ:

- ★ odmrażanie rur wykonanych z PCV (**położenie I, maks. 60°C**)
- ★ odmrażanie zamków w drzwiach samochodów (**położenie I, maks. 60°C**) (stosować dyszę redukcyjną K)
- ★ rozmrażanie zamrażarek (**należy uważać, aby nie uszkodzić plastikowej obudowy**)
- ★ topienie lodu na schodach i chodnikach
- Kształtowanie rur z tworzyw sztucznych
  - stosować dyszę odchylającą J
  - wypełnić rurę piaskiem i zaczożować oba końce, aby uniknąć zaciśnięcia rury w miejscu zgięcia
  - równomiernie ogrzewać rurę przesuwając ją przed dyszą urządzenia

#### PRZYKŁADY INNYCH ZASTOSOWAŃ:

- ★ kształtowanie tworzyw sztucznych o niskiej temperaturze topnienia (polietylen, PCV itp.)
- ★ kształtowanie plastiku o wysokiej temperaturze topnienia (szkło akrylowe, pleksiglas itp.)
- ★ kształtowanie i gięcie wykładzin z włókien sztucznych
- ★ kształtowanie i gięcie drewna (budowa modeli)
- Zgrzewanie plastiku
  - miejsce złączenia musi być czyste i nie zatluszczone
  - przytrzymać pręt do spawania blisko spoiny i ogrzewać dopóki nie zacznie się kleić
  - zakończyć ogrzewanie, gdy spoina jest całkowicie wypełniona

#### PRZYKŁADY INNYCH ZASTOSOWAŃ:

- ★ naprawa desek surfingowych, nart i innego sprzętu sportowego z tworzyw sztucznych (stosować płaską dyszę H)
- ★ zgrzewanie materiałów PCV
- ★ wygładzanie pęcherzyków po przyklejeniu warstwy PCV
- ★ łączenie węży ogrodniczych (przy użyciu dyszy odchylającej J)

- Suszenie
  - ! suszyć tylko przy niskim lub średnim ustawieniu temperatury (położenie 1 lub 2), trzymając urządzenie w dużej odległości od obrabianego materiału**
  - dosuszanie farb, lakierów, gipsu, zaprawy oraz tynku
  - osuszanie mokrego drewna przed szpachlowaniem
  - szybkie dosuszanie grubych warstw szpachli lub kleju
  - osuszanie spoin budowlanych przed nałożeniem izolacji lub uszczelniacza
  - osuszanie spoin i pęknięć w skutnictwie
- Czyszczenie i odkażanie
  - odkażanie klatek dla królików, gołębników, itp. (**należy uprzednio wyjąć zwierzęta**)
  - zwalczanie kolonii mrówek
  - zwalczanie czerwi drzewnych i korników (**należy trzymać urządzenie w odpowiedniej odległości od drewna**)
  - usuwanie chwastów

## KONSERWACJA / SERWIS

- Narzędzie nie jest przeznaczone do zastosowań profesjonalnych
- Zawsze dbać o czystość narzędzia i przewodu zasilającego (a szczególnie otworów wentylacyjnych F (2))
- Nigdy nie używać łatwopalnych płynów do czyszczenia całej opalarki, a w szczególności wylotu powietrza/dyszy
- Jeśli narzędzie, mimo dokładnej i wszechstronnej kontroli produkcyjnej ulegnie kiedykolwiek awarii, naprawę powinien przeprowadzić autoryzowany serwis elektronarzędzi firmy SKIL
  - odesłać **nierozebrany** narzędzie, wraz z dowodem zakupu, do dealera lub do najbliższego punktu usługowego SKIL (adresy oraz diagram serwisowy narzędzenia znajdują się na stronach [www.skil.com](http://www.skil.com))

## ŚRODOWISKO

- **Nie wyrzucaj elektronarzędzi, akcesoriów i opakowania wraz z odpadami z gospodarstwa domowego** (dotyczy tylko państw UE)
  - zgodnie z Europejską Dyrektywą 2012/19/WE w sprawie zużytego sprzętu elektrotechnicznego i elektronicznego oraz dostosowaniem jej do prawa krajowego, zużyte elektronarzędzia należy posegregować i zutylizować w sposób przyjazny dla środowiska
  - w przypadku potrzeby pozbycia się narzędzia, akcesoriów i opakowania - symbol (17) przypomni Ci o tym

## DEKLARACJA ZGODNOŚCI CE

- Oświadczamy z pełną odpowiedzialnością, że produkt, przedstawiony w "Dane techniczne", odpowiada wymaganiom następujących norm i dokumentów normatywnych: EN 60335, EN 61000, EN 55014, zgodnie z wymaganiami dyrektywy 2006/95/EU, 2004/108/EU, 2011/65/EU

- **Dokumentacja techniczna:** SKIL Europe BV (PT-SEU/ENG1), 4825 BD Breda, NL

Marijn van der Hoofden  
Operations & Engineering

Olaf Dijkgraaf  
Approval Manager

SKIL Europe BV, 4825 BD Breda, NL

03.09.2014

CE11

RU

## Термовоздуходувка

8004

### ВВЕДЕНИЕ

- Этот инструмент предназначен для удаления красок, формования и сварки пластмассы, нагревания термоусадочных труб; инструмент также подходит для пайки и лужения, размягчения клеевых соединений (швов), а также размораживания водопроводных труб
- Данный инструмент не подходит для промышленного использования
- Прочитайте и сохраните с данной инструкцией ③

### ТЕХНИЧЕСКИЕ ДАННЫЕ ①

### ДЕТАЛИ ИНСТРУМЕНТА ②

- A Выключатель вкл/выкл
- B Кнопки для настройки температуры
- C Кнопки для настройки воздушного потока
- D Дисплей на жидких кристаллах (LCD)
- E Защитное кольцо
- F Вентиляционные отверстия
- G Стеклозащитная насадка
- H Плоская насадка
- J Отражающая насадка
- K Сужающаяся насадка
- L Отверстие для выпуска воздуха/наконечник
- M Подвесное кольцо

## БЕЗОПАСНОСТЬ

### ОСНОВНЫЕ ИНСТРУКЦИИ ПО ТЕХНИКЕ БЕЗОПАСНОСТИ

**⚠ ВНИМАНИЕ!** Прочтите все указания и инструкции по технике безопасности. Упущения, допущенные при соблюдении указаний и инструкций по технике безопасности, могут стать причиной электрического поражения, пожара и тяжелых травм.

**Сохраняйте эти инструкции и указания для будущего использования.** Используемое в настоящих инструкциях и указаниях понятие “электроинструмент” распространяется на электроинструмент с питанием от сети (с кабелем питания от электросети) и на аккумуляторный

электроинструмент (без кабеля питания от электросети).

### 1) БЕЗОПАСНОСТЬ РАБОЧЕГО МЕСТА

- a) **Соблюдайте чистоту и поддерживайте надлежащую освещенность на рабочем месте.** Беспорядок на рабочем месте или его плохое освещение могут привести к несчастным случаям.
- b) **Не используйте с электроинструментом во взрывоопасной среде, т.е. в непосредственной близости от легковоспламеняющихся жидкостей, газов или пыли.** В процессе работы электроинструмент искрит и искры могут воспламенить газы или пыль.
- c) **При работе с электроинструментом не допускайте детей или посторонних на Ваше рабочее место.** Отвлечение Вашего внимания может привести к потере контроля над работой инструмента.

### 2) ЭЛЕКТРИЧЕСКАЯ БЕЗОПАСНОСТЬ

- a) **Штепсельная вилка кабеля питания электроинструмента должна соответствовать розетке электросети. Не вносите никаких изменений в конструкцию вилки. Не используйте адапторы для электроинструмента с защитным заземлением.** Заводские штепсельные вилки и соответствующие им сетевые розетки существенно снижают вероятность электрошока.
  - b) **Избегайте механических контактов с такими заземленными поверхностями, как трубопроводы, системы отопления, плиты и холодильники.** При соприкосновении человека с заземленными предметами во время работы инструментом вероятность электрошока существенно возрастает.
  - c) **Оберегайте электроинструмент от воздействия дождя и влаги.** Попадание воды в электроинструмент повышает вероятность электрического удара.
  - d) **Используйте кабель строго по назначению. Не допускается тянуть и передвигать электроинструмент за кабель или использовать кабель для вытягивания вилки из розетки. Оберегайте кабель инструмента от воздействия высоких температур, масла, острых кромок или движущихся частей электроинструмента.** Поврежденный или спутанный кабель повышает возможность электрического удара.
  - e) **При работе на улице используйте удлинитель, предназначенный для работы вне помещения.** Использование такого удлинителя снижает вероятность электрического удара.
  - f) **Если невозможно избежать применения электроинструмента в сыром помещении, то устанавливайте устройства защиты от утечки в землю.** Использование устройства защиты от утечки в землю снижает риск электрического поражения.
- ### 3) ЛИЧНАЯ БЕЗОПАСНОСТЬ
- a) **Будьте внимательны, следите за тем, что Вы делаете и выполняйте работу обдуманно. Не пользуйтесь электроинструментом, если Вы**



- устали или находитесь под воздействием транквилизаторов, алкоголя или медицинских препаратов. Секундная потеря концентрации в работе с электроинструментом может привести к серьезным травмам.
- b) **Используйте средства индивидуальной защиты. Защитные очки обязательны.** Средства индивидуальной защиты, такие как противопылевой респиратор, нескользящая защитная обувь, шлем-каска, средства защиты органов слуха применяются в соответствующих условиях работы обстоятельствах и минимизируют возможность получения травм.
- c) **Предотвращайте непреднамеренное включение электроинструмента. Перед подключением электроинструмента к электропитанию и/или к аккумулятору убедитесь в выключенном состоянии электроинструмента.** Если Вы при транспортировке электроинструмента держите палец на выключателе или включенный электроинструмент подключаете к сети питания, то это может привести к несчастному случаю.
- d) **Во избежание травм перед включением инструмента удалите регулировочный или гаечный ключ из вращающейся части инструмента.**
- e) **Не переоценивайте свои возможности. Твердо стойте на ногах и удерживайте равновесие.** В таком положении вы сможете лучше контролировать инструмент в неожиданных ситуациях.
- f) **Используйте подходящую рабочую одежду. Не надевайте свободную одежду и украшения. Волосы, одежда и перчатки должны находиться подальше от движущихся частей электроинструмента.** Свободная одежда, украшения или длинные волосы легко могут попасть в движущиеся части электроинструмента.
- g) **При наличии пылеотсасывающих и пылесборных приспособлений убедитесь в том, что они подсоединены и используются надлежащим образом.** Применение пылесоса может снизить опасности, создаваемые пылью.
- 4) ЭКСПЛУАТАЦИЯ И УХОД ЗА ЭЛЕКТРОИНСТРУМЕНТОМ**
- a) **Не перегружайте инструмент. Используйте тот инструмент, который предназначен для данной работы.** С подходящим инструментом Вы выполните работу лучше и надежней, используя весь диапазон его возможностей.
- b) **Не используйте инструмент с неисправным выключателем.** Инструмент с неисправным выключателем опасен и подлежит ремонту.
- c) **До начала наладки электроинструмента, замены принадлежностей или прекращения работы отключайте штепсельную вилку от розетки сети и/или выньте аккумулятор.** Данная мера предосторожности предотвращает случайное включение инструмента.
- d) **Храните неиспользуемый электроинструмент в недоступном для детей месте и не позволяйте использовать его лицам, не умеющим с ним обращаться или не ознакомленным с**

**инструкцией по эксплуатации.**

Электроинструменты представляют собой опасность в руках неопытных пользователей.

- e) **Электроинструмент требует надлежащего ухода. Проверьте безупречность функции подвижных частей, лёгкость их хода, целостность всех частей и отсутствие повреждений, которые могут негативно сказаться на работе инструмента. При обнаружении повреждений сдайте инструмент в ремонт.** Большое число несчастных случаев связано с неудовлетворительным уходом за электроинструментом.
- f) **Режущие части инструмента необходимо поддерживать в заточенном и чистом состоянии.** При надлежащем уходе за режущими принадлежностями с острыми кромками они реже заклинаются и инструмент лучше поддается контролю.
- g) **Используйте электроинструмент, принадлежности, биты и т.д. в соответствии с данными инструкциями, исходя из особенностей условий и характера выполняемой работы.** Использование электроинструмента не по назначению может привести к опасным последствиям.

## **5) СЕРВИСНОЕ ОБСЛУЖИВАНИЕ**

- a) **Передавайте инструмент на сервисное обслуживание только квалифицированному персоналу, использующему только подлинные запасные части.** Это обеспечит сохранение безопасности электроинструмента.

## **УКАЗАНИЯ ПО БЕЗОПАСНОСТИ ДЛЯ ТЕРМОВОЗДУХОДУВКИ**

### **ПЕРЕД ИСПОЛЬЗОВАНИЕМ:**

- Проверяйте работоспособность инструмента перед каждым использованием и, в случае обнаружения неисправности, производите его ремонт только квалифицированным специалистом; ни в коем случае не открывайте инструмент самостоятельно
- Осматривайте шнур и вилку инструмента перед каждым использованием; при обнаружении повреждения, обратитесь к квалифицированному специалисту, который произведет их замену
- Используйте полностью размотанные и безопасные удлинители, рассчитанные на ток не менее 16 А
- Периодически осматривайте удлинительный шнур и заменяйте его в случае повреждения
- Используйте инструмент и насадки в соответствии с данным Руководством и по их назначению; использование инструмента не по назначению может привести к опасной ситуации
- Инструмент нельзя использовать лицам в возрасте до 16 лет
- Этот инструмент не должен использоваться лицами (включая детей) с ограниченными физическими, сенсорными или умственными способностями, или лицами, не имеющими достаточного опыта и знаний, за исключением случаев, когда они работают под надзором или проинструктированы в вопросах

использования инструмента лицом, ответственным за их безопасность

- Обязательно убедитесь, что напряжение питания соответствует напряжению, указанному на фирменном штампе инструмента
- Убедитесь в том, что инструмент выключен перед подключением его к розетке

#### **ВО ВРЕМЯ ИСПОЛЬЗОВАНИЯ:**

- **Обращайтесь с инструментом осторожно, предотвращая воспламенение и получение ожогов**

- не касайтесь отверстия для выпуска воздуха / наконечника и нагреваемого предмета; так как они чрезвычайно сильно нагреваются
- не подводите отверстие для выпуска воздуха / наконечник слишком близко к обрабатываемому предмету
- не направляйте слишком долго поток горячего воздуха на ту же самую поверхность
- ни в коем случае не заглядывайте в отверстие для выпуска воздуха / наконечник
- надевайте защитные перчатки и очки
- ни в коем случае не направляйте поток горячего воздуха на людей и животных
- ни в коем случае не используйте инструмент для сушки волос
- не оставляйте инструмент без присмотра
- ни в коем случае не пользуйтесь инструментом вблизи воспламеняющихся газов и горючих веществ (**повышенная взрывоопасность**)
- при работе с пластмассой, краской, лаком и подобными материалами могут выделяться воспламеняющиеся и ядовитые газы; заранее выясните, какие материалы будут обрабатываться
- примите во внимание, что тепло может быть передано горючим веществам вне поля зрения
- для безопасности имейте под рукой ведро воды или огнетушитель, на случай воспламенения каких-либо предметов

- **Предотвращайте поражение электрическим током**

- ни в коем случае не засовывайте ничего в отверстие для выхода воздуха / наконечник
- не касайтесь заземленных поверхностей (например: труб, радиаторов, кухонных плит, холодильников)
- убедитесь, что инструмент не намок
- не пользуйтесь инструментом во влажной среде
- при работе вне помещения, подключайте инструмент через предохранитель короткого замыкания (FI) с максимальным пусковым током 30 мА и используйте только удлинительный шнур, предназначенный для внешних работ и оборудованный защитной от брызг розеткой

- **Осторожно обращайтесь со шнуром**

- всегда держите шнур подальше от потока горячего воздуха и отверстия для выпуска воздуха / наконечника
- держите шнур подальше от тепла, масла и острых краев
- не носите инструмент на шнуре и не дергайте шнур, чтобы вынуть вилку из розетки

- не вешайте инструмент за шнур

- Никогда не используйте инструмент одновременно с применением химических растворителей
- Удостоверитесь, что рабочая зона соответствующим образом проветривается
- Обеспечивайте чистоту и хорошую освещенность рабочей зоны
- Не допускайте детей в рабочую зону
- Убедитесь, что дети не имеют возможности играть с инструментом
- Процессы включения вызывают кратковременное снижение напряжения; при неблагоприятных условиях в сети может возникнуть отрицательное влияние на другие приборы (при импедансе сети меньше, чем 0,127 + j0,079 Ом, какие-либо нарушения не ожидаются); за разъяснениями просим обратиться к организациям - поставщикам электроэнергии в Вашем регионе
- Будьте начеку; следите за тем, что вы делаете, следуйте здравому смыслу и не работайте с инструментом, если Вы устали
- Выберите безопасное положение; не перенапрягайтесь, особенно на приставных лестницах и помостах (рабочих площадках)
- Перед тем, как отложить инструмент в сторону, убедитесь, что он выключен
- В случае любой электрической или механической неисправности немедленно выключите инструмент и выньте вилку из розетки

#### **ПОСЛЕ ИСПОЛЬЗОВАНИЯ:**

- Выключите инструмент и выньте вилку из розетки
- **Перед укладкой инструмента на хранение, дайте ему остыть в течении, как минимум, 30-ти минут**
- Повесьте инструмент на кольце подвешивания М ②, либо поставьте его на тыльную сторону в вертикальном положении; убедитесь при этом, что поблизости нет горючих веществ или воспламеняющихся газов
- Не храните/оставляйте инструмент вне помещения
- Храните инструмент в сухом, запираемом, не доступном для детей месте

## **ИСПОЛЬЗОВАНИЕ**

- Выключатель с 2 температурными режимами ④  
! **перед тем, как вставить вилку в розетку, убедитесь, что выключатель А находится в положении "0"**
- включите инструмент, поставив выключатель А в одно из положений:  
I = 50°C + воздушный поток 250-500 литров в минуту  
II = 50°C ... 650°C, воздушный поток 250-500 литров в минуту
- при первом использовании возможно выделение некоторого количества дыма из инструмента; это нормально и скоро прекратится
- выключите инструмент, поставив выключатель А в положение "0"
- Настройка температуры ⑤  
- кратким В нажатием кнопок установите конечную температуру, поэтапно изменяя ее значение на 10°C

- постоянное нажатие кнопок В непрерывно повышает/понижает конечную температуру до тех пор, пока кнопки не будут отпущены или не будет достигнута минимальная/максимальная температура
  - после того, как конечная температура установлена, на дисплее D отображается фактическое повышение/понижение температуры до тех пор, пока не будет достигнута желаемая температура (только в положении "II")
  - конечная температура будет сохранена в памяти инструмента, поэтому каждый раз при включении инструмент нагревается до конечной температуры, заданной при предыдущем использовании
  - Настройка воздушного потока ⑥
    - кратким нажатием кнопок С установите необходимый поток воздуха, поэтапно изменяя его значение на 50 литров/мин.
    - на дисплее D фактическая настройка воздушного потока отображается с помощью шкального индикатора
  - Обычное использование
    - определите правильную температуру на неприметной части заготовки; начинайте с низкой температуры
    - температура понижается при увеличении расстояния между заготовкой и отверстием для выпуска воздуха/наконечником
    - необходимая температура зависит от обрабатываемого материала
  - Использование в стационарном положении ⑦
    - поставьте инструмент на тыльную сторону в вертикальном положении
    - убедитесь, что поверхность чистая, без пыли; так как загрязненный воздух повреждает двигатель
    - убедитесь, что воздушный поток направлен в сторону от Вас
    - закрепите шнур во избежание случайного стягивания (сбрасывания) инструмента
    - не касайтесь отверстия для выпуска воздуха/наконечника
    - убедитесь, что ничто не попало в отверстие для выпуска воздуха / наконечник
    - осторожно держите инструмент одной рукой, выключая его другой рукой, а затем дайте ему остыть
  - Использование в труднодоступных местах
    - удалите кольцо E ②, выдвинув, таким образом, металлическое отверстие для выпуска воздуха на большее расстояние
    - ! обратите внимание на увеличивающуюся при этом опасность возгорания и получения ожогов**
  - Удерживание и направление инструмента ⑧
    - держите инструмент одной рукой
    - содержите вентиляционные отверстия F ② не закрытыми
  - Стандартные насадки ②
    - стеклозащитная насадка G (для отклонения воздушного потока)
  - плоская насадка H (для расширения воздушного потока)
  - отражающая насадка J (для отражения воздушного потока)
  - сужающаяся насадка K (для концентрации воздушного потока)
- ПРИМЕЧАНИЯ:**
- все прикладные примеры (**кроме удаления краски с оконных рам**) могут быть выполнены без насадок; однако, использование соответствующих насадок упрощает работу и значительно улучшает ее качество
  - с этим инструментом также можно использовать вспомогательные приспособления BOSCH и другое широко доступное оборудование для термовоздуховодов
  - Установка/удаление насадок
    - просто наденьте насадку на отверстие для выпуска воздуха L ②
    - удалите насадку, стянув насадку вперед после ее охлаждения
    - ! устанавливайте насадки только при остывшем отверстии для выпуска воздуха, когда выключатель находится в положении "0" и вилка вынута из розетки**
  - Подвесное кольцо M ⑨
    - для простоты хранения инструмента
    - ! перед укладкой инструмента на хранение, дайте ему остыть в течении, как минимум, 30-ти минут**
  - Контроль за равномерной подачей теплого воздуха (защита от перегрузки)
 

Защищает термозлемент от повреждения, когда инструмент перегружен без возможности остановить его и/или дать ему охладиться в течении какого-то времени

    - когда температура становится слишком высокой, термозлемент самостоятельно отключается, в то время как двигатель продолжает работать и подавать холодный воздух
    - когда температура достаточно понижается, (что занимает всего несколько секунд) термозлемент автоматически включается

**! если инструмент выключается, после того как он использовался в режиме высокой температуры, и после короткого перерыва снова включается, то может потребоваться некоторое время, пока термозлемент не нагреется до необходимой температуры**

## СОВЕТЫ ПО ИСПОЛЬЗОВАНИЮ

- Удаление краски / лака ⑩
  - используйте чистый, острый скребок
  - когда краска размягчится, соскребите ее с усилием
  - поэкспериментируйте, чтобы установить необходимое время теплового воздействия для получения оптимальных результатов
  - немедленно соскребите размягченную краску, иначе она снова отвердеет
  - поддерживайте угол 30ы-40ы между инструментом и заготовкой
  - немедленно удалите краску и мусор со скребка, чтобы предотвратить их воспламенение

- соскребайте везде, где это возможно, до древесных волокон
- не направляйте слишком долго поток горячего воздуха на ту же самую поверхность
- собирайте удаленную краску в безопасном месте
- тщательно очистите рабочую зону по завершении работы

**! будьте осторожны при удалении слоев краски в старых зданиях; в прошлом, здания могли быть окрашены красками, содержащими свинец, который является высокотоксичным веществом**  
**! воздействие даже очень небольших доз свинца может вызвать серьезные повреждения мозга и нервной системы; особенно уязвимы маленькие и еще не родившиеся дети**

**! удаление содержащей свинец краски должно производиться специалистом без использования термоинструмента**

#### ДРУГОЕ ПРИМЕР ПРИМЕНЕНИЯ:

★ удаление (синтетической) облицовки стен

- Удаление краски / лака с окон (11)
  - всегда используйте стеклозащитную насадку G при работе рядом со стеклом
  - удаляйте краску ручным скребком

**! не используйте инструмент для удаления краски на окнах в металлических рамах; металл теплопроводен, и это может привести к разрушению стекла**

- Удаление наклеек (используйте плоскую насадку H) (12)
  - многие клеевые вещества размягчаются при нагреве, что позволяет разделять клеевые соединения и удалять избыточное количество клеевого вещества

**! нагрейте наклейку с наружной стороны**  
**! каждый раз следите за тем, чтобы не перегреть подстилающую поверхность**

#### ДРУГИЕ ПРИМЕРЫ ПРИМЕНЕНИЯ:

★ удаление линолеума и винилового напольного покрытия

★ удаление ковровых плиток, сделанных из синтетических волокон

★ удаление защитного покрытия / нанесение полос защитного покрытия

★ размягчение/плавление смол, олова, битума, воска (используйте плоскую насадку H)

★ вошение (лыж, мебели) (используйте плоскую насадку H) (13)

★ удаление камеди

★ ослабление заржавевших/сильно затянутых металлических винтов, гаек и болтов

★ удаление свечного воска (**не перегревайте подстилающую поверхность**)

★ восстановление разломанных/погнутых свечей до их первоначальной формы

- Горячая посадка (14)
  - используйте отражающую насадку J или сужающуюся насадку K
  - выберите трубу горячей посадки с диаметром, соответствующим диаметру заготовки
  - равномерно нагрейте трубу горячей посадки

#### ДРУГОЕ ПРИМЕР ПРИМЕНЕНИЯ:

★ термоусадочная обмотка

- Спаивание водопроводных труб (15)
  - Этот инструмент наиболее подходит для работы с мягкими припоями (точка плавления ниже 400°)
    - используйте отражающую насадку J
    - тщательно очистите обе соединяемые секции перед спаиванием
    - произведите предварительный нагрев обеих секции, и примените припойный провод (**не используйте содержащей свинец припойный провод**)

- Размораживание замерзших водопроводных труб (16)
  - используйте отражающую насадку J
  - равномерно нагрейте замерзший участок

**! водопроводные трубы часто трудно отличить от газовых труб; нагревание газовых труб очень рисованно ввиду опасности взрыва**

#### ДРУГИЕ ПРИМЕРЫ ПРИМЕНЕНИЯ:

★ размораживание водопроводных труб, изготовленных из поливинилхлорида (**положение I, макс. 60°C**)

★ размораживание замерзших автомобильных замков (**положение I, макс. 60°C**) (используйте сужающуюся насадку K)

★ размораживание морозильников (**не повредите пластмассовый корпус**)

★ очистка ото льда замерзших ступенек и дорожного покрытия

- Формование пластмассовых труб
  - используйте отражающую насадку J
  - во избежание образования изломов, заполните трубу песком и закупорьте оба ее конца
  - равномерно нагрейте трубу, перемещая ее из стороны в сторону

#### ДРУГИЕ ПРИМЕРЫ ПРИМЕНЕНИЯ:

★ формование всех пластмасс с низкой точкой плавления (полиэтилен, поливинилхлорид и т.д.)

★ формование всех пластмасс с высокой точкой плавления (акриловое стекло, плексиглас и т.д.)

★ формование и изгибание плиток коврового покрытия, изготовленных из синтетических волокон

★ формование и изгибание деревянных деталей (моделирование)

- Сварка пластмасс

- сварной шов должен быть чист и свободен от смазки

- держите сварочный электрод поближе к сварному шву, и подавайте на него тепло, пока сварочный электрод не станет липким

- прекратите подачу тепла после заполнения сварного шва

#### ДРУГИЕ ПРИМЕРЫ ПРИМЕНЕНИЯ:

★ ремонт досок для серфинга, лыж и другого спортивного инвентаря, изготовленного из синтетических материалов (используйте плоскую насадку H)

★ сварка поливинилхлоридных материалов

★ разравнивание вздутостей после наклеивания поливинилхлоридных этикеток

★ соединение садовых шлангов (используйте отражающую насадку J)

- Сушка
  - ! **осуществляйте сушку только при установке режима низкой или средней температуры (положение 1 или 2) и при увеличенном расстоянии между инструментом и заготовкой**
  - сушка краски, лака, гипса, строительного раствора и штукатурки
  - сушка влажной древесины перед шпатлевкой
  - быстрая сушка толстого слоя шпатлевки или клеевого вещества
  - сушка строительных швов перед применением изоляции или герметика
  - сушка соединений и трещин в судостроении
- Чистка/дезинфекция
  - дезинфекция клеток для кроликов, голубятен, и т.д. (**предварительно удалите оттуда ваше домашнее животное**)
  - уничтожение муравьиных колоний
  - уничтожение древесных червей и короедов (**держите инструмент на соответствующем расстоянии от дерева**)
  - уничтожение сорняков

## ТЕХОБСЛУЖИВАНИЕ / СЕРВИС

- Данный инструмент не подходит для промышленного использования
- Всегда содержите инструмент и его шнур в чистоте (особенно вентиляционные отверстия F ②)
- Никогда не используйте легковоспламеняющиеся жидкости для чистки струйного термоинструмента вообще, а отверстия для выпуска воздуха/наконечника, в особенности
- Если инструмент, несмотря на тщательные методы изготовления и испытания, выйдет из строя, то ремонт следует производить силами авторизованной сервисной мастерской для электроинструментов фирмы SKIL
  - отправьте **неразобранный** инструмент со свидетельством покупки Вашему дилеру или в ближайшую станцию обслуживания фирмы SKIL (адреса и схема обслуживания инструмента приведены в вебсайте [www.skil.com](http://www.skil.com))

## ОХРАНА ОКРУЖАЮЩЕЙ СРЕДЫ

- **Не выкидывайте электроинструмент, принадлежность и упаковку вместе с бытовым мусором** (только для стран ЕС)
  - во исполнение европейской директивы 2012/19/ЕС об утилизации отслужившего свой срок электрического и электронного оборудования и в соответствии с действующим законодательством, утилизация электроинструментов производится отдельно от других отходов на предприятиях, соответствующих условиям экологической безопасности
  - значок ⑰ напомнит Вам об этом, когда появится необходимость сдать электроинструмент на утилизацию

## ДЕКЛАРАЦИЯ О СООТВЕТСТВИИ СТАНДАРТАМ СЕ

- С полной ответственностью мы заявляем, что описанный в разделе "Технические данные" продукт соответствует нижеследующим стандартам или нормативным документам: EN 60335, EN 61000, EN 55014 согласно положениям директив 2006/95/EC, 2004/108/EC, 2011/65/EC
- **Техническая документация у:** SKIL Europe BV (PT-SEU/ENG1), 4825 BD Breda, NL

Marijn van der Hoofden      Olaf Dijkgraaf  
Operations & Engineering      Approval Manager




SKIL Europe BV, 4825 BD Breda, NL

03.09.2014

CE11

- Информация о сертификате соответствия расположена на последней странице настоящей Инструкции
- Сертификаты соответствия хранятся по адресу: ООО "Роберт Бош" ул. Акад. Королева, 13, стр. 5 Россия, 129515, Москва **С января 2014 г.** Вашутинское шоссе, влад. 36 Россия, 141446 г.о. Химки
- **Дата производства** указана на последней странице настоящей инструкции
- Информацию об **импортере** изделия можно найти на упаковке

UA

**Термоинструмент**

**8004**

## ВСТУП

- Цей інструмент призначений для видалення фарб, формування та зварювання пластмаси, нагріву термоусадочних труб; інструмент також підходить для паiania та лудіння, розм'якшення клейових з'єднань (швів), а також розморожування водопроводних труб
- Цей інструмент не придатний для промислового використання
- Прочитайте і збережіть цю Інструкцію з експлуатації ③

## ТЕХНІЧНІ ДАНІ ①

## ЕЛЕМЕНТИ ІНСТРУМЕНТА ②

- A** Вимикач живлення
- B** Кнопки для налаштування температури
- C** Кнопки для налаштування повітряного потоку
- D** Рідкокристалічний дисплей (LCD)
- E** Захисне кільце
- F** Вентиляційні отвори
- G** Склозахисна насадка

- H Пласка насадка
- J Відбиваюча насадка
- K Звужуюча насадка
- L Отвір для випуску повітря/наконечник
- M Підвісний гак

## БЕЗПЕКА

### ЗАГАЛЬНІ ВКАЗІВКИ З ТЕХНІКИ БЕЗПЕКИ

**УВАГА! Прочитайте всі попередження і вказівки.** Недодержання попереджень і вказівок може призводити до удару електричним струмом, пожежі та/або серйозних травм. **Добре зберігайте на майбутнє ці попередження і вказівки.** Під поняттям “електроприлад” в цих попередженнях мається на увазі електроприлад, що працює від мережі (з електрокабелем) або від акумуляторної батареї (без електрокабелю).

#### 1) БЕЗПЕКА НА РОБОЧОМУ МІСЦІ

- a) **Примайте своє робоче місце в чистоті та прибирайте його.** Безлад або погане освітлення на робочому місці можуть призводити до нещасних випадків.
- b) **Не працюйте з приладом у середовищі, де існує небезпена вибуху внаслідок присутності горючих рідин, газів або пилу.** Електроприлади можуть породжувати іскри, від яких може займатися пил або пари.
- c) **Під час працювання з приладом не підпускайте до робочого місця дітей та інших людей.** Ви можете втратити контроль над приладом, якщо Ваша увага буде відвернута.

#### 2) ЕЛЕКТРИЧНА БЕЗПЕКА

- a) **Штепсель приладу повинен пасувати до розетки. Не дозволяється що-небудь міняти в штепселі. Для роботи з приладами, що мають захисне заземлення, не використовуйте адаптери.** Використання оригінального штепселя та належної розетки зменшує ризик удару електричним струмом.
- b) **Уникайте контакту частей тіла із заземленими поверхнями, як напр., трубами, батареями опалення, печами та холодильниками.** Коли Ваше тіло заземлене, існує збільшена небезпена удару електричним струмом.
- c) **Захищайте прилад від дощу та вологи.** Попадання води в електроінструмент збільшує ризик удару електричним струмом.
- d) **Не використовуйте кабель для перенесення приладу, підвішування або витягування штепселя з розетки. Захищайте кабель від жару, олії, гострих країв та деталей приладу, що рухаються.** Пошкоджений або закручений кабель збільшує ризик удару електричним струмом.
- e) **Для зовнішніх робіт обов'язково використовуйте лише такий подовжувач, що допущений для зовнішніх робіт.** Використання подовжувача, що розрахований на зовнішні роботи, зменшує ризик удару електричним струмом.
- f) **Якщо не можна запобігти використанню електроприладу у вологому середовищі,**

**використовуйте пристрій захисту від витоків в землю.** Використання зростою захисту від витоків в землю зменшує ризик удару електричним струмом.

#### 3) БЕЗПЕКА ЛЮДЕЙ

- a) **Будьте уважними, слідуйте за тим, що Ви робите, та розсудливо поведіться під час роботи з електроприладом. Не користуйтеся приладом, якщо Ви стомлені або знаходитесь під дією наркотиків, спиртних напоїв або лік.** Мить неуважності при користуванні приладом може призводити до серйозних травм.
  - b) **Вдягайте особисте захисне спорядження та обов'язково вдягайте захисні окуляри.** Вдягання особистого захисного спорядження, як напр., - в залежності від виду робіт - захисної маски, спецвзуття, що не ковзається, каски або навушників, зменшує ризик травм.
  - c) **Уникайте ненавмисного вмикання. Перш ніж вмикати електроприлад в електромережу або встромляти акумуляторну батарею, брати його в руки або переносити, впевніться в тому, що електроприлад вимкнений.** Тримання пальця на вимикачі під час перенесення електроприладу або встромляння в розетку увімкнутого приладу може призводити до травм.
  - d) **Перед тим, як вмикати прилад, приберіть налагоджувальні інструменти та гайковий ключ.** Знаходження налагоджувального інструмента або ключа в деталі, що обертається, може призводити до травм.
  - e) **Не переоцінюйте себе. Зберігайте стійке положення та завжди зберігайте рівновагу.** Це дозволить Вам краще зберігати контроль над приладом у несподіваних ситуаціях.
  - f) **Вдягайте придатний одяг. Не вдягайте просторий одяг та прикраси. Не підставляйте волосся, одяг та рукавиці близько до деталей приладу, що рухаються.** Просторий одяг, прикраси та довге волосся можуть попадати в деталі, що рухаються.
  - g) **Якщо існує можливість монтувати приствідсмонтувальні або пилоуловлювальні пристрої, переконайтеся, щоб вони були добре під'єднані та правильно використовувалися.** Використання пиловідсмонтувального пристрою може зменшити небезпекі, зумовлені пилом.
- #### 4) ПРАВИЛЬНЕ ПОВОДЖЕННЯ ТА КОРИСТУВАННЯ ЕЛЕКТРОПРИЛАДАМИ
- a) **Не перевантажуйте прилад. Використовуйте такий прилад, що спеціально призначений для певної роботи.** З придатним приладом Ви з меншим ризиком отримуєте кращі результати роботи, якщо будете працювати в зазначеному діапазоні потужності.
  - b) **Не користуйтеся приладом з пошкодженим вимикачем.** Прилад, який не можна увімкнути або вимкнути, є небезпечним і його треба відремонтувати.
  - c) **Перед тим, як регулювати що-небудь на приладі, міняти приладдя або хвати прилад, витягніть штепсель із розетки та/або витягніть акумуляторну батарею.** Ці попереджувальні заходи

з техніки безпеки зменшують ризик ненавмисного запуску приладу.

- d) **Зберігайте електроприлади, якими Ви саме не користуєтесь, далеко від дітей. Не дозволяйте користуватися електроприладом особам, що не знайомі з його роботою або не читали ці вказівки.** У разі застосування недосвідченими особами прилади несуть в собі небезпеку.
- e) **Старанно доглядайте за приладом. Перевірте, щоб рухомі деталі приладу бездоганно працювали та не заїдали, не були поламаними або настільки пошкодженими, щоб це могло вплинути на функціонування приладу. Пошкоджені деталі треба відремонтувати в авторизованій майстерні, перш ніж ними можна знову користуватися.** Велика кількість нещасних випадків спричиняється поганим доглядом за електроприладами.
- f) **Тримайте різальні інструменти добре нагостреними та в чистоті.** Старанно доглянути різальні інструменти з гострим різальним краєм менше застряють та їх легше вести.
- g) **Використовуйте електроприлади, приладдя до них, робочі інструменти т.і. відповідно до цих вказівок. Беріть до уваги при цьому умови роботи та специфіку виконуваної роботи.** Використання електроприладів для робіт, для яких вони не передбачені, може призводити до небезпечних ситуацій.

## 5) СЕРВІС

- a) **Віддавайте свій прилад на ремонт лише кваліфікованим фахівцям та лише з використанням оригінальних запчастин.** Це забезпечить безпеку приладу на довгий час.

## ПРАВИЛА ТЕХНІКИ БЕЗПЕКИ ДЛЯ ТЕРМОІНСТРУМЕНТА

### ПЕРЕД ВИКОРИСТАННЯМ:

- Перевіряйте працездатність інструмента перед кожним використанням та, у випадку виявлення несправності, виконайте ремонт тільки за допомогою кваліфікованого спеціаліста сертифікованого сервісного центру SKIL; ні в якому випадку не ремонтуйте інструмент самостійно
- Оглядайте шнур та вилку інструмента перед кожним використанням; при виявленні пошкодження, звертайтеся до кваліфікованого спеціаліста, який виконає їх заміну
- Використовуйте повністю розгорнений шнур подовжувача, який може витримувати навантаження в 16 Ампер
- Періодично оглядайте шнур та замініть його у випадку пошкодження
- Використовуйте інструмент та насадки тільки у відповідності з даним Керівництвом та по їх призначенню; використання інструменту не по призначенню може призвести до небезпеки
- Цей інструмент не можна використовувати особам віком до 16 років
- Цей інструмент не може використовуватися особами (включаючи дітей) з обмеженими фізичними, сенсорними або розумовими здібностями, або

особами, які не мають достатньо досвіду та знань за виключенням випадків, коли вони працюють під наглядом або пройшли інструктаж щодо використання інструменту з боку особи, яка відповідає за їх безпеку

- Обов'язково переконайтеся, що напруга живлення відповідає напрузі, вказаній на фірмовому штепселі інструмента
  - Переконайтеся в, тому що інструмент вимкнено, перед тим як підключити його до розетки
- ПІД ЧАС ВИКОРИСТАННЯ:**
- **Поводьтесь з інструментом обережно; запобігаючи заpalенню та опіків**
    - не торкайтесь отвору для випуску повітря/наконечника та предмета, що нагрівається ці інструментом; тому, що вони сильно нагріваються
    - не підносьте отвір для випуску повітря/наконечник дуже близько до поверхні, що обробляете
    - не направляйте дуже довго потік гарячого повітря на одну й ту саму поверхню
    - ні в якому випадку не заглядайте в отвір для випуску повітря/наконечник
    - надгяйте захисні окуляри та рукавиці
    - ні в якому випадку не наводьте потік гарячого повітря на людей та тварин
    - ні в якому випадку не використовуйте інструмент для сушки волосся
    - не залишайте інструмент без нагляду
    - ні в якому випадку не використовуйте інструмент поблизу легко займистих газів та горючих речовин (**підвищена вибухонебезпечність**)
    - при роботі з пластмасою, фарбою, лаком та подібними матеріалами можуть виділятися легкозаймисті та ядовиті гази; заздалегідь виясніть, які матеріали будуть оброблятися
    - прийміть до уваги: тепло може бути передано горючими речовинами, що не знаходяться у полі видимості
    - для безпеки майте під рукою відро води або вогнегасник, на випадок заpalення предметів
  - **Запобігання небезпечності від електроструму**
    - ні в якому випадку не засовуйте нічого в отвір для виходу повітря/наконечник
    - не торкайтесь заземлених поверхонь (напр.: труб, радіаторів, кухонних плиток, холодильників)
    - перконайтеся, що інструмент не намокнув
    - не використовуйте інструмент в вологій середі
    - під час роботи на вулиці, підключайте інструмент через запобіжник короткого замикання (FI) з максимальним пусковим струмом 30 мА та використовуйте подовжувач, призначений для зовнішніх робіт та обладнаний захищеною від бризів розеткою
  - **Обережно поведьтесь зі шнуром**
    - завжди тримайте шнур, як умога дальше від потоку гарячого повітря та отвору для випуску повітря/наконечника
    - тримайте шнур, як умога дальше від тепла, масла та гострих країв

- не носіть інструмент за шнур, та не смикайте його для того, щоб винути вилку з розетки
- не вішайте інструмент за шнур
- Ніколи не використовуйте інструмент одночасно з використанням хімічних розчинників
- Переконайтеся, що робоча зона провітрюється належним чином
- Забезпечте чистоту та гарне освітлення робочої зони
- Не підпускайте дітей до робочої зони
- Переконайтеся, що діти не мають змоги гратися з інструментом
- Кидки струму викликають короточасні перепади напруги; при несприятливих умовах енергозабезпечення можливий вплив на інше встаткування (якщо імпульс системи нижче 0,127 + j0,079 Ом, малоімовірно виникнення несправностей); якщо вам потрібні додаткові роз'яснення, ви можете звернутися в місцеву організацію енергопостачання
- Будьте напоготові; слідкуйте за тим, що ви робите, слідуйте здоровому глузду і не працюйте з інструментом, якщо Ви втомилися
- Оберіть безпечне положення; не перенапружуйтеся, особливо на приставних драбинах та помостах (робочих ділянках)
- Перед тим, як відкласти в бік, переконайтеся, що він вимкнений
- У разі електричної або механічної несправності, негайно відключіть інструмент і вимкніть з розетки

#### ПІСЛЯ ВИКОРИСТАННЯ:

- Вимкніть інструмент та вийміть вилку з розетки
- **Перед укладкою інструмента на зберігання, дайте йому остигнути, як мінімум, 30-ть хвилин**
- Покладіть інструмент на кільце підвішування М ② або покладіть його на тильний бік у вертикальному положенні; при цьому переконайтеся, що поблизу не має легкозаймистих речовин або газів
- Не зберігати/залишайте інструмент на вулиці
- Зберігати інструмент в сухому, не доступному для дітей місці

## ВИКОРИСТАННЯ

- Вимикач з 2 температурними режимами ④
  - ! **перед тим, як вставити вилку в розетку, переконайтеся, що вимикач А знаходиться в положенні "0"**
  - увімкніть інструмент, поставивши вимикач А в одно з положень:
    - I = 50°C + повітряний потік 250-500 літрів на хвилину
    - II = 50°C ... 650°C, повітряний потік 250-500 літрів на хвилину
  - при першому використанні можливе виділення деякої кількості диму з інструмента; це нормально і скоро припиниться
  - вимкніть інструмент, поставивши вимикач А в положення "0"
- Настроювання температури ⑤
  - коротким В натисканням кнопок встановіть кінцеву температуру, поетапно змінюючи її значення на 10°C
  - постійне натискання В кнопок безперервно підвищує/знижує кінцеву температуру, доки

- кнопки не будуть відпущені або не буде досягнута мінімальна/максимальна температура
- після того, як кінцева температура встановлена, на дисплеї D відображується фактичне підвищення/зниження температури, доки не буде досягнута бажана температура (тільки в положенні "II")
- кінцева температура буде збережена в пам'яті інструменту, тому щораз під час вмикання інструмент нагрівається до кінцевої температури, що була задана під час попереднього використання
- Налаштування повітряного потоку ⑥
  - коротким натисканням кнопок С встановіть потрібний повітряний потік, поетапно змінюючи його значення на 50 літрів/хв.
  - дисплей D вказує фактичний повітряний потік повітря за допомогою шкального індикатора
- Звичайне використання
  - визначте правильну температуру на непримітній частині заготовки; почніть з низької
  - температура знижується при збільшенні відстані між заготовкою та отвором для випуску повітря/наконечника
  - необхідна температура залежить від матеріалу, що обробляється
- Використання в стаціонарному положенні ⑦
  - поставте інструмент на тильну сторону у вертикальне положення
  - переконайтеся, що поверхня чиста, без пилу; тому, що забруднене повітря пошкоджує двигун
  - переконайтеся, що повітряний потік направлений в бік від Вас
  - закріпіть шнур, щоб запобігти випадкового стягування(скидання) інструмента
  - не торкайтесь отвору для випуску повітря / наконечника
  - переконайтеся, що ніщо не попало в отвір для випуску повітря / наконечник
  - обережно тримайте інструмент однією рукою, вимикаючи його другою, а потім дайте йому остигнути
- Використання в важкодоступних місцях
  - зніміть кільце Е ②, висунув, таким чином, металевий отвір для випуску повітря на велику відстань
  - ! **зверніть увагу на зростаючу при цьому небезпечу запалення та отримання опіків**
- Утримування і робота інструментом ⑧
  - тримайте інструмент однією рукою
  - тримайте вентиляційні отвори F ② незакритими
- Стандартні насадки ②
  - склозахисна насадка G (для відхилення повітряного потоку)
  - плоска насадка H (для розширення повітряного потоку)
  - насадка зі скляним захистом J (для відбивання повітряного потоку)
  - звужуюча насадка K (для концентрації повітряного потоку)



#### ПРИМІТКИ:

- всі прикладні приклади (**крім видалення фарби з віконних рам**) можуть бути виконані без насадок; але використання відповідних насадок спрощую роботу та значно покращує її якість
- цей інструмент можна використовувати з допоміжними пристосуваннями для термоінструментів від компанії BOSCH та інших виробників
- Встановлення/ знімання насадок
  - просто надягніть насадку на отвір для випуску повітря L ②
  - зніміть насадку, стягнувши її вперед після її охолодження
- ! **встановлюйте насадки тільки при охолодженню отворі для випуску повітря, коли вимикач знаходиться в положенні "0" та вилка виїнята з розетки**
- Підвісний гак M ③
  - для простоти зберігання інструменту
- ! **перед укладкою інструмента на зберігання, дайте йому остигнути, як мінімум, 30-ть хвилин**
- Контроль за рівномірною подачею теплого повітря (захист від перевантаження)  
Захищає термоелемент від пошкодження, коли інструмент перевантажений без можливості зупинити його і/або дати йому охолодитися на протязі певного проміжку часу
  - коли температура стає за надто високою, термоелемент самостійно відключається, в той час коли двигун продовжує працювати і подавати холодне повітря
  - коли температура достатньо понижується, що займає всього декілька секунд, термоелемент автоматично вмикається
- ! **якщо інструмент вимикається після роботи в високотемпературному режимі та знову вмикається після короткої перерви, то може знадобитися деякий час, щоб термоелемент досяг робочої температури**

## ПОРАДИ ПО ВИКОРИСТАННЮ

- Видалення фарб/лаку ⑩
  - використовуйте чистий, гострий скребок
  - коли фарба розм'якшиться, зіскребіть її з зусиллям
  - поекспериментуйте, щоб визначити необхідний час теплового впливу для досягнення оптимальних результатів
  - негайно зіскребіть розм'якшену фарбу, в іншому випадку вона затвердіє
  - витримуйте кут 30°-40° між інструментом та заготовкою
  - негайно видаляйте фарбу та сміття зі скребка, щоб запобігти їх запаленню
  - зіскребайте всюди, де тільки можливо, до волокна деревини
  - не направляйте дуже довго потік гарячого повітря на одну й ту саму поверхню
  - збирайте видалену фарбу в безпечному місці

- ретельно очистіть робочу зону після завершення роботи
- ! **будьте обережні при видаленні слоїв фарб в старих будівлях; в минулому, будівлі могли бути пофарбовані фарбами, в склад яких входить свинець, який є високотоксичною речовиною**
- ! **вплив навіть дуже маленьких доз свинцю може визвати серйозні пошкодження мозку та нервової системи; особливо уразливі маленькі, та ще не народжені діти**
- ! **видалення краски зі вмістом свинцю повинно проводитися спеціалістом без використання термоінструмента**
- ІНШИЙ ПРИКЛАД ЗАСТОСУВАННЯ:
  - ★ видалення (синтетичного) облицювання стін
- Видалення фарби/лаку з вікон ⑪
  - **завжди** використовуйте склозахисну насадку G, якщо працюєте біля скла
  - видаляйте фарбу ручним скребком
  - ! **не використовуйте інструмент для зняття фарби з вікон в металевих рамах; метал проводить тепло, що може спричинити пошкодження скла**
- Видалення наклейок (використовуйте пласку насадку H) ⑫
  - більшість клеючих засобів розм'якшуються при нагріві, що дозволяє роз'єднувати клеєві з'єднання та видаляти надлишкову кількість клеючої речовини
  - ! **нагрійте наклейку з зовнішнього боку**
  - ! **ножен раз слідуйте за тим, щоб не перегріти нижню поверхню**
- ІНШИЙ ПРИКЛАД ЗАСТОСУВАННЯ:
  - ★ видалення лінолеумних та винилових покриттів
  - ★ видалення килимової плитки, вироблених з синтетичних волокон
  - ★ видалення захисного покриття/ нанесення смуг захисного покриття
  - ★ розм'якшення / плавління смол, олова, бітуму, воску (використовуйте пласку насадку H)
  - ★ воціння (лиж, меблів) (використовуйте пласку насадку H) ⑬
  - ★ видалення каменя
  - ★ послаблення заіржавілих/сильно затягнутих металевих гвинтів, гайок та болтів
  - ★ видалення свічного воску (**не перегрійте нижню поверхню**)
  - ★ відновлення поламаних/погнутих свічок до їх початкової форми
- Горяча посадка ⑭
  - використовуйте насадку зі скляним захистом J або свужуючу насадку K
  - виберіть трубу горячої посадки з діаметром, відповідному діаметру заготовки
  - рівномірно нагрівайте трубу горячої посадки
- ІНШИЙ ПРИКЛАД ЗАСТОСУВАННЯ:
  - ★ термоусадочна обмотка
- Спайка водопровідних труб ⑮
  - Цей інструмент найбільше підходить для роботи з м'якими пропоями (точка плавління нижче 400°C)
  - використовуйте насадку зі скляним захистом J

- ретельно відчистіть обидві з'єднувальні секції перед спаюванням
  - зробіть попередній нагрів обох секцій, та використайте припайний провід (**не використовуйте припайний провід з вмістом свинцю**)
  - Розморозжування замерзлих водопровідних труб ⑩
    - використовуйте насадку зі скляним захистом J
    - рівномірно нагрійте замерзлу ділянку
- ! водопровідні труби часто важко відрізати від газів; нагрівання газових труб дуже небезпечно в зв'язку з великим ризиком вибуху**

#### ІНШІЙ ПРИКЛАД ЗАСТОСУВАННЯ:

- ★ розморозжування водопроводних труб виготовлені з полівінілхлориду (**положення I, макс. 60°C**)
- ★ розморозжування замерзлих автомобільних замків (**положення I, макс. 60°C**) (використовуйте звуковую насадку K)
- ★ розморозжування морозильників (**не пошкодьте пластмасовий корпус**)
- ★ відчищення льоду від замерзлих східців та дорожнього покриття
- Формування пластмасових труб
  - використовуйте насадку зі скляним захистом J
  - щоб запобігти утворенню зламів, заповніть трубу піском та закупорте обидва її кінця
  - рівномірно нагрійте трубу, переміщуючи її зі сторони в сторону

#### ІНШІЙ ПРИКЛАД ЗАСТОСУВАННЯ:

- ★ формування всіх видів пластмас з низькою точкою плавлення (поліетілен, полівінілхлорид і т.д.)
  - ★ формування всіх видів пластмас з високою точкою плавлення (акрилове скло, плексиглас і т.д.)
  - ★ формування та вигинання плиток килимового покриття, виготовлених із синтетичних волокон
  - ★ формування та вигинання дерев'яних деталей (моделювання)
  - Зварювання пластмас
    - зварювальний шар має бути чистим та вільним від змазки
    - тримайте зварювальний електрод ближче до зварювального шву, доти доки зварювальний електрод не стане липким
    - припиніть подавання тепла після заповнення зварювального шва
- ІНШІЙ ПРИКЛАД ЗАСТОСУВАННЯ:**
- ★ ремонт дошок для серфінгу, лиж та іншого спортивного інвентарю, виробленого з синтетичних матеріалів (використовуйте насадку H)
  - ★ зварювання полівінілхлоридних матеріалів
  - ★ розрівнювання здуття після наклеювання полівінілхлоридних етикеток
  - ★ з'єднання садових шлангів (використовуйте насадку зі скляним захистом J)

#### • Сушка

- ! виконуйте сушку тільки при установці режиму низької або середньої температури (положення 1 або 2) та при збільшеній відстані між інструментом та заготовкою**

- сушку фарби, лаку, гіпсу, будівельного розчину та штукатурки
- сушка вологої деревини перед шпаклюванням
- швидка сушка толстого шару шпаклівки або клейової речовини
- сушка будівельних швів перед застосуванням ізоляції або герметика
- сушка з'єднань та тріщин в суднобудівництві
- Чистка/дезінфекція
  - дезінфекція кліток для кроликів, голуб'ятників, і т.д. (**попередньо заберіть звідти тварину**)
  - винищення колоній мурах
  - винищення деревних хробаків та короїдів (**тримайте інструмент на відповідній дистанції від дерева**)
  - знищення бур'янів

## ДОГЛЯД/ОБСЛУГОВУВАННЯ

- Цей інструмент не придатний для промислового використання
- Завжди тримайте інструмент та його шнур в чистоті (особливо вентиляційні отвори F ②)
- Ніколи не використовуйте легкозаймисті речовини для чистки струминного термоінструмента взагалі, а отвір для випуску повітря/наконечник, особливо
- Якщо незважаючи на ретельну технологію виготовлення і перевірки інструмент все-таки вийде з ладу, його ремонт дозволяється виконувати лише в авторизованій сервісній майстерні для електроприладів SKIL
  - надішіть **нерозібраний** інструмент разом з доказом купівлі до Вашого дилера або до найближчого центру обслуговування SKIL (адреси, а також діаграма обслуговування пристрою, подаються на сайті [www.skil.com](http://www.skil.com))

## ОХОРОНА НАВКОЛИШНЬОЇ СЕРЕДИ

- **Не викидайте електроінструмент, належності та упаковки разом зі звичайним сміттям** (тільки для країн ЄС)
  - відповідно до європейської директиви 2012/19/ЄС щодо утилізації старих електричних та електронних приладів, в залежності з місцевим законодавством, електроінструмент, який перебував в експлуатації повинен бути утилізований окремо, безпечно для навколишнього середовища шляхом
  - малюнок ⑰ нагадає вам про це

## ДЕКЛАРАЦІЯ ПРО ВІДПОВІДНІСТЬ СТАНДАРТАМ СЕ

- Ми заявляємо під нашу виключну відповідальність, що описаний в "Технічні дані" продукт відповідає таким нормам або нормативним документам: EN 60335, EN 61000, EN 55014 у відповідності до положень директив 2006/95/EG, 2004/108/EG, 2011/65/EC

- **Τεχνίχνη документи в:** SKIL Europe BV (PT-SEU/ENG1), 4825 BD Breda, NL

Marijn van der Hoofden  
Operations & Engineering

Olaf Dijkgraaf  
Approval Manager

SKIL Europe BV, 4825 BD Breda, NL

03.09.2014

CE11

GR

## Πιστόλι θερμού αέρος

8004

### ΕΙΣΑΓΩΓΗ

- Αυτό το εργαλείο έχει σχεδιαστεί για την αφαίρεση χρώματος, τη διαμόρφωση και τη συγκόλληση πλαστικών, και τη θέρμανση θερμοσυστελλόμενων σωλήνων - το εργαλείο είναι επίσης κατάλληλο για κασσιτεροκόλληση και κασιτέρωση, για την αποκόλληση κολλημένων ενώσεων και για την απόψυξη σωλήνων νερού
- Αυτό το εργαλείο δεν προορίζεται για επαγγελματική χρήση
- Διαβάστε και φυλάξτε αυτές τις οδηγίες χρήσεως ③

### ΤΕΧΝΙΚΑ ΧΑΡΑΚΤΗΡΙΣΤΙΚΑ ①

#### ΜΕΡΗ ΤΟΥ ΕΡΓΑΛΕΙΟΥ ②

- A Διακόπτης εκκίνησης/στάσης
- B Κουμπιά για τον καθορισμό της θερμοκρασίας
- C Κουμπιά ρύθμισης της παροχής αέρα
- D Οθόνη υγρών κρυστάλλων (LCD)
- E Δακτυλίδι προστασίας
- F Σχισμές αερισμού
- G Ακροφύσιο προστασίας γυαλιού
- H Πεπλατυσμένο ακροφύσιο
- J Ανακλαστικό ακροφύσιο
- K Ακροφύσιο μείωσης
- L Στόμιο/ακροφύσιο αέρα
- M Δακτυλίδι ανάρτησης

### ΑΣΦΑΛΕΙΑ

#### ΓΕΝΙΚΕΣ ΥΠΟΔΕΙΞΕΙΣ ΑΣΦΑΛΕΙΑΣ

**ΠΡΟΕΙΔΟΠΟΙΗΣΗ!** Διαβάστε όλες τις προειδοποιητικές υποδείξεις. Αμέλειες κατά την τήρηση των προειδοποιητικών υποδείξεων μπορεί να προκαλέσουν ηλεκτροπληξία, κίνδυνο πυρκαγιάς ή/και σοβαρούς τραυματισμούς. **Φυλάξτε όλες τις προειδοποιητικές υποδείξεις και οδηγίες για κάθε μελλοντική χρήση.** Ο ορισμός "ηλεκτρικό εργαλείο" που χρησιμοποιείται στις προειδοποιητικές υποδείξεις αναφέρεται σε ηλεκτρικά εργαλεία που τροφοδοτούνται από το ηλεκτρικό δίκτυο (με ηλεκτρικό καλώδιο) καθώς και σε ηλεκτρικά εργαλεία που τροφοδοτούνται από μπαταρία (χωρίς ηλεκτρικό καλώδιο).

#### 1) ΑΣΦΑΛΕΙΑ ΣΤΟ ΧΩΡΟ ΕΡΓΑΣΙΑΣ

- a) Διατηρείτε το χώρο που εργάζεσθε καθαρό και καλά φωτισμένο. Αταξία στο χώρο που εργάζεσθε ή μη φωτισμένες περιοχές εργασίας μπορεί να οδηγήσουν σε ατυχήματα.
- b) Μην εργάζεσθε με το ηλεκτρικό εργαλείο σε περιβάλλον που υπάρχει κίνδυνος έκρηξης, στο οποίο υπάρχουν εύφλεκτα υγρά, αέρια ή σκόνη. Τα ηλεκτρικά εργαλεία μπορεί να δημιουργήσουν σπινθηρισμό ο οποίος μπορεί να αναφλέξει τη σκόνη ή τις αναθυμιάσεις.
- c) Όταν χρησιμοποιείτε το ηλεκτρικό εργαλείο κρατάτε τα παιδιά κι άλλα τυχόν πρόσωπα μακριά από το χώρο που εργάζεσθε. Σε περίπτωση που άλλα άτομα αποσπάσουν την προσοχή σας μπορεί να χάσετε τον έλεγχο του μηχανήματος.

#### 2) ΗΛΕΚΤΡΙΚΗ ΑΣΦΑΛΕΙΑ

- a) Το φως του καλωδίου του ηλεκτρικού εργαλείου πρέπει να ταιριάζει στην αντίστοιχη πρίζα. Δεν επιτρέπεται με κανένα τρόπο η μετασκευή του φως. Μην χρησιμοποιείτε προσαρμοστικά φως σε συνδυασμό με ηλεκτρικά εργαλεία συνδεδεμένα με τη γη (γειωμένα). Αθικτα φως και κατάλληλες πρίζες μειώνουν τον κίνδυνο ηλεκτροπληξίας.
- b) Αποφεύγετε την επαφή του σώματος σας με γειωμένες επιφάνειες όπως σωλήνες, θερμοαντικά σώματα (καλοριφέρ), κουζίνες και ψυγεία. Όταν το σώμα σας είναι γειωμένο αυξάνεται ο κίνδυνος ηλεκτροπληξίας.
- c) Μην εκθέτετε το ηλεκτρικό εργαλείο στη βροχή ή την υγρασία. Η διείσδυση νερού στο ηλεκτρικό εργαλείο αυξάνει τον κίνδυνο ηλεκτροπληξίας.
- d) Μην χρησιμοποιείτε το καλώδιο για να μεταφέρετε ή ν'αναρτήσετε το ηλεκτρικό εργαλείο ή για να βγάλετε το φως από την πρίζα. Κρατάτε το καλώδιο μακριά από υψηλές θερμοκρασίες, λάδια, κοφτερές ακμές ή κινούμενα εξαρτήματα. Τυχόν χαλασμένα ή μπερδεμένα καλώδια αυξάνουν τον κίνδυνο ηλεκτροπληξίας.
- e) Όταν εργάζεσθε με το ηλεκτρικό εργαλείο στο ύπαιθρο χρησιμοποιείτε πάντοτε καλώδια επιμήκυνσης (μπαλαντάζες) που έχουν εγκριθεί για χρήση σε εξωτερικούς χώρους. Η χρήση καλωδίων επιμήκυνσης εγκριμένων για εργασία σε εξωτερικούς χώρους μειώνει τον κίνδυνο ηλεκτροπληξίας.
- f) Όταν η χρήση του ηλεκτρικού εργαλείου σε υγρό περιβάλλον είναι αναπόφευκτη, τότε χρησιμοποιήστε έναν προστατευτικό διακόπτη διαρροής. Η χρήση ενός προστατευτικού διακόπτη διαρροής ελαττώνει τον κίνδυνο ηλεκτροπληξίας.

#### 3) ΑΣΦΑΛΕΙΑ ΠΡΟΣΩΠΩΝ

- a) Να είστε πάντοτε προσεκτικός/προσεκτική, να δίνετε προσοχή στην εργασία που κάνετε και να χειρίζεσθε το ηλεκτρικό εργαλείο με περίσκεψη. Μην κάνετε χρήση του ηλεκτρικού εργαλείου όταν είσθε κουρασμένος/κουρασμένη ή όταν βρίσκεσθε υπό την επιρροή ναρκωτικών, οινόπνευμάτος ή φαρμάκων. Μια στιγμιαία απροσεξία κατά το χειρισμό του ηλεκτρικού εργαλείου μπορεί να οδηγήσει σε σοβαρούς τραυματισμούς.

- b) **Φοράτε προστατευτικά ενδύματα και πάντοτε προστατευτικά γυαλιά.** Όταν φοράτε ενδύματα ασφαλείας, ανάλογα με το υπό χρήση ηλεκτρικό εργαλείο, όπως προσωπίδα προστασίας από σκόνη, αντιολισθηκά παπούτσια ασφαλείας, κράνη ή ωτασπίδες, μειώνεται ο κίνδυνος τραυματισμών.
- c) **Αποφεύγετε την αβέλητη εκκίνηση. Βεβαιωθείτε ότι το ηλεκτρικό εργαλείο έχει αποσυνχθεί πριν το συνδέσετε με το ηλεκτρικό δίκτυο ή/και με την μπαταρία καθώς και πριν το παραλάβετε ή το μεταφέρετε.** Όταν μεταφέρετε το ηλεκτρικό εργαλείο έχοντας το δαχτυλό σας στο διακόπτη ή όταν συνδέσετε το μηχάνημα με την πηγή ρεύματος όταν αυτό είναι ακόμη συζευγμένο, τότε δημιουργείται κίνδυνος τραυματισμών.
- d) **Αφαιρείτε από τα ηλεκτρικά εργαλεία πριν τα θέσετε σε λειτουργία τυχόν συναρμολογημένα χρησιμοποιήσιμα εργαλεία ή κλειδιά.** Ενα εργαλείο ή κλειδί συναρμολογημένο στο περιστρεφόμενο εξάρτημα ενός ηλεκτρικού εργαλείου μπορεί να οδηγήσει σε τραυματισμούς.
- e) **Μην υπερτιμάτε τον εαυτό σας. Φροντίζετε για την ασφαλή στήριξη του σώματος σας και διατηρείτε πάντοτε την ισορροπία σας.** Αυτό σας επιτρέπει τον καλύτερο έλεγχο το ηλεκτρικού εργαλείου σε περιπτώσεις απροσδόκητων καταστάσεων.
- f) **Φοράτε κατάλληλη ενδυμασία εργασίας. Μη φοράτε φαρδιά ενδύματα ή κοσμητικά. Κρατάτε τα μαλλιά σας, τα ενδύματα σας και τα γάντια σας μακριά από τα κινούμενα εξαρτήματα.** Χαλαρή ενδυμασία, κοσμητικά και μακριά μαλλιά μπορεί να εμπλακούν στα κινούμενα εξαρτήματα.
- g) **Αν υπάρχει η δυνατότητα συναρμολόγησης διατάξεων αναρρόφησης ή συλλογής σκόνης, βεβαιωθείτε αν οι διατάξεις αυτές είναι συνδεδεμένες καθώς κι αν χρησιμοποιούνται σωστά.** Η χρήση μιας αναρρόφησης σκόνης μπορεί να ελαττώσει τον κίνδυνο που προκαλείται από τη σκόνη.
- 4) ΧΡΗΣΗ ΚΙ ΕΠΙΜΕΛΗΣ ΧΕΙΡΙΣΜΟΣ ΤΩΝ ΗΛΕΚΤΡΙΚΩΝ ΕΡΓΑΛΕΙΩΝ**
- a) **Μην υπερφορτώνετε το ηλεκτρικό εργαλείο. Χρησιμοποιείτε για την εκάστοτε εργασία σας το ηλεκτρικό εργαλείο που προορίζεται γι'αυτήν.** Με το κατάλληλο ηλεκτρικό εργαλείο εργάζεσθε καλύτερα και ασφαλέστερα στην αναφερόμενη περιοχή ισχύος.
- b) **Μη χρησιμοποιήσετε ποτέ ένα ηλεκτρικό εργαλείο του οποίου ο διακόπτης ON/OFF είναι χαλασμένος.** Ενα ηλεκτρικό εργαλείο το οποίο δεν μπορεί να θεθεί πλέον σε ή εκτός λειτουργίας είναι επικίνδυνο και πρέπει να επισκευαστεί.
- c) **Βγάζετε το φως από την πρίζα και/ή αφαιρέστε την μπαταρία πριν διεξάγετε στο εργαλείο μια οποιαδήποτε εργασία ρύθμισης, πριν αλλάξετε ένα εξάρτημα ή όταν πρόκειται να διαφυλάξετε/ να αποθηκεύσετε το εργαλείο.** Αυτά τα προληπτικά μέτρα ασφαλείας μειώνουν τον κίνδυνο από τυχόν αβέλητη εκκίνηση του ηλεκτρικού εργαλείου.
- d) **Διαφυλάγετε τα ηλεκτρικά εργαλεία που δε χρησιμοποιείτε μακριά από παιδιά. Μη αφήνετε άτομα που δεν είναι εξοικειωμένα με το ηλεκτρικό εργαλείο ή δεν έχουν διαβάσει αυτές**

τις οδηγίες χρήσης να το χρησιμοποιήσουν. Τα ηλεκτρικά εργαλεία είναι επικίνδυνα όταν χρησιμοποιούνται από άπειρα πρόσωπα.

- e) **Να περιποιήστε προσεκτικά το ηλεκτρικό σας εργαλείο και να ελέγχετε, αν τα κινούμενα τμήματα του λειτουργούν άψογα και δεν μπλοκάρουν, ή μήπως έχουν χαλάσει ή σπάσει εξαρτήματα, τα οποία επηρεάζουν έτσι αρνητικά τον τρόπο λειτουργίας του ηλεκτρικού εργαλείου. Δώστε τυχόν χαλασμένα εξαρτήματα του ηλεκτρικού εργαλείου για επισκευή πριν το χρησιμοποιήσετε πάλι.** Η ανεπαρκής συντήρηση των ηλεκτρικών εργαλείων αποτελεί αιτία πολλών ατυχημάτων.
- f) **Διατηρείτε τα κοπτικά εργαλεία κοφτερά και καθαρά.** Τα κοπτικά εργαλεία που συντηρούνται με προσοχή μπορούν να οδηγηθούν εύκολα και να ελεγχθούν καλύτερα.
- g) **Χρησιμοποιείτε τα ηλεκτρικά εργαλεία, τα εξαρτήματα, τα χρησιμοποιήσιμα εργαλεία κτλ. σύμφωνα με τις παρούσες οδηγίες καθώς. Λαμβάνετε ταυτόχρονα υπόψη σας τις συνθήκες εργασίας και την υπό εκτέλεση εργασία.** Η χρήση του ηλεκτρικού εργαλείου για άλλες εκτός από τις προβλεπόμενες εργασίες μπορεί να δημιουργήσει επικίνδυνες καταστάσεις.
- 5) SERVICE**
- a) **Δίνετε το ηλεκτρικό σας εργαλείο για επισκευή από άριστα ειδικευμένο προσωπικό, μόνο με γνήσια ανταλλακτικά.** Ετσι εξασφαλίζεται η διατήρηση της ασφάλειας του ηλεκτρικού εργαλείου.

## **ΥΠΟΔΕΙΞΙΣ ΑΣΦΑΛΕΙΑΣ ΓΙΑ ΠΙΣΤΟΛΙ ΘΕΡΜΟΥ ΑΕΡΟΣ**

### **ΠΡΙΝ ΤΗ ΧΡΗΣΗ:**

- Ελέγξτε τη λειτουργία του εργαλείου πριν από κάθε χρήση, και σε περίπτωση βλάβης, πάτε το για επισκευή σε κάποιο εξειδικευμένο άτομο - ποτέ μην ανοίγετε μόνοι σας το εργαλείο
- Ελέγξτε το καλώδιο και το φως του εργαλείου πριν από κάθε χρήση, και σε περίπτωση βλάβης, φροντίστε να αντικατασταθούν από εξειδικευμένο άτομο
- Χρησιμοποιείτε ασφαλείς, τελείως ξετυλιγμένες προεκτάσεις καλωδίου με χωρητικότητα 16 Amps
- Ελέγχετε τακτικά το καλώδιο προέκτασης και αντικαταστήστε το αν παρουσιάζει βλάβη
- Χρησιμοποιείτε το εργαλείο και τα εξαρτήματά του σύμφωνα με τις οδηγίες χρήσεως και κατά τον τρόπο που προβλέπεται για το εργαλείο - η χρήση του εργαλείου για ενέργειες που είναι διαφορετικές από αυτές για τις οποίες προορίζεται κανονικά το εργαλείο, μπορεί να προκαλέσει επικίνδυνες καταστάσεις
- Αυτό το εργαλείο δεν πρέπει να χρησιμοποιείται από άτομα κάτω των 16 ετών
- Το εργαλείο αυτό δεν προορίζεται για χρήση από άτομα (συμπεριλαμβανομένων παιδιών) με μειωμένες φυσικές, αισθητικές ή νοητικές ικανότητες, ή από άτομα χωρίς εμπειρία ή γνώση, εκτός και αν επιβλέπονται ή εάν τους έχουν δοθεί οδηγίες σχετικά με τη χρήση του εργαλείου από άτομα υπεύθυνα για την ασφάλειά τους

- Βεβαιωθείτε ότι η τάση του παρεχόμενου ρεύματος είναι ίδια με την τάση που υποδεικνύεται στην πινακίδα δεδομένων του εργαλείου
- Βεβαιωθείτε ότι το εργαλείο είναι σβησμένο όταν συνδέεται στην πρίζα

#### **ΚΑΤΑ ΤΗ ΧΡΗΣΗ:**

- **Χρησιμοποιείτε το εργαλείο με προσοχή**
  - **αποφεύγετε την φωτιά και τα εγκαυμάτα**
  - μην αγγίζετε το στόμιο/ακροφύσιο αέρα και το θερμαινόμενο κομμάτι, διότι ζεσταίνονται πάρα πολύ
  - μην κρατάτε το στόμιο/ακροφύσιο αέρα πολύ κοντά στο κατεργαζόμενο κομμάτι
  - μην κρατάτε το ζεστό ρεύμα αέρα στραμμένο στην ίδια επιφάνεια για μεγάλο χρονικό διάστημα
  - ποτέ μην κοιτάτε μέσα στο στόμιο/ακροφύσιο αέρα
  - φοράτε προστατευτικά γάντια και γυαλιά
  - ποτέ μην στρέψετε το ρεύμα θερμού αέρα προς την κατεύθυνση ανθρώπων ή ζώων
  - ποτέ μη χρησιμοποιείτε το εργαλείο για το στέγνωμα των μαλλιών σας
  - μην αφήνετε το εργαλείο αβύλακτο
  - ποτέ μη χρησιμοποιείτε το εργαλείο κοντά σε εύφλεκτα αέρια ή καύσιμα υλικά (**κίνδυνο έκρηξης**)
  - όταν εργάζεστε με πλαστικά, χρώμα, βερνίκι και συναφή προϊόντα, ενδέχεται να δημιουργηθούν εύφλεκτα και δηλητηριώδη αέρια - ενημερωθείτε εκ των προτέρων σχετικά με τα υλικά που επεξεργάζονται
  - έχετε υπόψη σας ότι η θερμότητα ενδέχεται να μεταδοθεί σε καύσιμες ύλες που βρίσκονται έξω από το οπτικό σας πεδίο
  - για λόγους ασφαλείας, κρατάτε ένα δοχείο νερού ή έναν πυροσβεστήρα κοντά σας, για την περίπτωση που κάποιο υλικό πάρει φωτιά
- **Αποφεύγετε την ηλεκτροπληξία**
  - ποτέ μη εισάγετε αντικείμενα στο στόμιο/ακροφύσιο αέρα
  - αποφεύγετε την επαφή του σώματος με γειωμένες επιφάνειες (για παράδειγμα, σωλήνες, θερμοαντικά σώματα, εστίες μαγειρικής, ψυγεία)
  - φροντίστε ώστε να μην βρέχεται το εργαλείο
  - μη χρησιμοποιείτε το εργαλείο σε υγρούς χώρους
  - όταν χρησιμοποιείτε το εργαλείο στο ύπαιθρο, συνδέστε το χρησιμοποιώντας έναν διακόπτη ασφαλείας με μέγιστο όριο ενεργοποίησης 30 mA, και χρησιμοποιείτε μόνο καλώδιο προέκτασης ειδικό για υπαίθρια χρήση και εξοπλισμένο με αδιάβροχη πρίζα σύνδεσης
- **Χειριστείτε το καλώδιο με προσοχή**
  - κρατάτε το καλώδιο πάντοτε μακριά από το ρεύμα θερμού αέρα και από το στόμιο/ακροφύσιο αέρα
  - κρατάτε το καλώδιο μακριά από θερμότητα, λάδια και αιχμηρά άκρα
  - μη μεταφέρετε το εργαλείο κρατώντας το από το καλώδιο, και μην τραβάτε το καλώδιο για να αποσυνδέσετε το εργαλείο από την πρίζα
  - μην κρεμάτε το εργαλείο από το καλώδιο
- Ποτέ μη χρησιμοποιείτε το εργαλείο σε συνδυασμό με χημικά διαλυτικά
- Βεβαιωθείτε ότι υπάρχει επαρκής εξαερισμός στον χώρο εργασίας

- Κρατάτε το περιβάλλον εργασίας καθαρό και καλά φωτισμένο
- Κρατάτε τα παιδιά μακριά από τον χώρο εργασίας
- Βεβαιωθείτε ότι τα παιδιά δεν παίζουν με το εργαλείο
- Οι διαδικασίες ζεύξης προκαλούν σύντομες πτώσεις τάσης - υπό δυσμενείς συνθήκες δικτύου μπορεί να επηρεαστούν αρνητικά άλλες συσκευές (άν η σύνθετη αντίσταση δικτύου είναι μικρότερη από 0,127 + j0,079 Ohm δεν αναμένονται παρενοχλήσεις) - για οποιοσδήποτε επεξηγήσεις μπορείτε να απευθυνθείτε στον τοπικό φορέα παροχής ηλεκτρικού ρεύματος
- Να είστε προσεκτικοί σε ό,τι κάνετε, να εργάζεστε σύμφωνα με την κοινή λογική και να μην χειρίζεστε το εργαλείο όταν είναι κούρασμένοι
- Βεβαιωθείτε ότι στέκεστε σταθερά - μην τεντώνεστε, ειδικά όταν εργάζεστε πάνω σε σκάλα ή σε σκαλωσιά
- Βεβαιωθείτε ότι το εργαλείο είναι σβησμένο πριν το αφήσετε στην άκρη
- Σε περίπτωση ηλεκτρικής ή μηχανικής δυσλειτουργίας, σταματήστε αμέσως το εργαλείο και βγάλτε το από την πρίζα

#### **ΜΕΤΑ ΤΗ ΧΡΗΣΗ:**

- Σβήστε το εργαλείο και βγάλτε το φιν από την πρίζα
- **Αφήστε το εργαλείο να κρυώσει για 30 τουλάχιστον λεπτά πριν το αποθηκεύσετε**
- Κρεμάστε το εργαλείο στο δακτυλίδι ανάρτησης M ② ή ακουμπήστε το στο πίσω μέρος του σε όρθια θέση - βεβαιωθείτε ταυτόχρονα ότι δεν υπάρχουν εύφλεκτα αέρια ή καύσιμα υλικά κοντά στο εργαλείο
- Μην αποθηκεύετε/αφήνετε το εργαλείο σε εξωτερικούς χώρους
- Αποθηκεύστε το εργαλείο σε μέρος δροσερό και κλειδωμένο, μακριά από παιδιά

## **ΧΡΗΣΗ**

- Διακόπτης ενεργοποίησης/απενεργοποίησης με 2 βαθμίδες θερμοκρασίας ④
- ! **Βεβαιωθείτε ότι ο διακόπτης Α βρίσκεται στη θέση "0" πριν βάλετε το φιν στην πρίζα**
- θέστε το εργαλείο σε λειτουργία βάζοντας τον διακόπτη Α στην επιθυμητή θέση:
  - I = 50°C + ροή αέρα 250-500 λίτρα/λεπτό
  - II = 50°C ... 650°C, ροή αέρα 250-500 λίτρα/λεπτό
- όταν χρησιμοποιείτε το εργαλείο για πρώτη φορά, υπάρχει περίπτωση να εκλυθεί λίγος καπνός - πρόκειται για φυσικό φαινόμενο, το οποίο θα σταματήσει σύντομα
- σβήστε το εργαλείο φέρνοντας τον διακόπτη Α στη θέση "0"
- Βαθμίδα θερμοκρασίας ⑤
  - ρυθμίστε την επιθυμητή θερμοκρασία σε βήματα των 10°C πατώντας για λίγο τα κουμπιά Β
  - το συνεχές πάτημα των κουμπιών Β αυξάνει/μειώνει συνεχώς τη θερμοκρασία-στόχο μέχρι να αφήσετε τα κουμπιά ή να φτάσετε την ελάχιστη/μέγιστη θερμοκρασία
  - αφού ορίσετε τη θερμοκρασία-στόχο, η οθόνη D εμφανίζει την αύξηση/μείωση της τρέχουσας θερμοκρασίας μέχρι να φτάσετε την επιθυμητή θερμοκρασία (μόνο στη θέση "II")
  - η θερμοκρασία-στόχος θα αποθηκευτεί στη μνήμη του εργαλείου ώστε σε κάθε ενεργοποίηση το

εργαλείο θα θερμαίνεται μέχρι να φτάσει την θερμοκρασία-στόχο που είχατε επιλέξει την τελευταία φορά που το χρησιμοποιήσατε

- Ρύθμιση παροχής αέρα ⑥
    - ρυθμίστε την επιθυμητή παροχή αέρα σε βήματα των 50 λ/λεπτό πατώντας για λίγο τα κουμπιά C
    - η οθόνη D απεικονίζει την τρέχουσα ρύθμιση της παροχής αέρα σε μορφή ιστογράμματος
  - Γενική χρήση
    - καθορίστε τη σωστή θερμοκρασία δοκιμάζοντας το εργαλείο σε κάποιο μη εμφανές σημείο του κατεργαζόμενου τεμαχίου και ρυθμίζοντας το εργαλείο πρώτα στη χαμηλή βαθμίδα θερμοκρασίας
    - η θερμοκρασία πέφτει όταν αυξάνεται η απόσταση μεταξύ του στομίου/ακροφυσίου αέρα και του κατεργαζόμενου τεμαχίου
    - η απαιτούμενη θερμοκρασία εξαρτάται από το κατεργαζόμενο υλικό
  - Σταθερή χρήση ⑦
    - ακουμπήστε το εργαλείο στο πίσω μέρος του, σε όρθια θέση
    - βεβαιωθείτε ότι η επιφάνεια είναι καθαρή, δίχως σκόνες - ο μολυσμένος αέρας προκαλεί βλάβη στο μοτέρ
    - βεβαιωθείτε ότι το ρεύμα αέρα δεν κατευθύνεται προς το μέρος σας
    - στερεώστε το καλώδιο για να μην ριζέτε το εργαλείο
    - μην αγγίζετε το στόμιο/ακροφύσιο αέρα
    - φροντίστε ώστε να μην πέσει κάτι μέσα στο στόμιο/ακροφύσιο αέρα
    - κρατήστε το εργαλείο προσεκτικά με το ένα χέρι ενώ το σβήνετε με το άλλο, και αφήστε το να κρυώσει
  - Χρήση σε δυσπρόσιτα μέρη
    - αφαιρέστε το δακτυλίδι E ②, επιμηκώνοντας το μεταλλικό στόμιο εξαγωγής αέρα

**! έχετε υπόψη σας ότι υπάρχει αυξημένος κίνδυνος φωτιάς και εγκαυμάτων**
  - Πώς να κρατάτε και να οδηγείτε το εργαλείο ⑧
    - κρατήστε το εργαλείο με το ένα χέρι
    - κρατάτε τις σχισμές αερισμού F ② ακάλυπτες
  - Βασικά εξαρτήματα ②
    - ακροφύσιο προστασίας γυαλιού G (για την κάμψη του ρεύματος αέρα)
    - πεπλατυσμένο ακροφύσιο H (για την διέυρυνση του ρεύματος αέρα)
    - ανακλαστικό ακροφύσιο J (για την ανάκλαση του ρεύματος αέρα)
    - ακροφύσιο μείωσης K (για τη συγκέντρωση του ρεύματος αέρα)
- ΣΗΜΕΙΩΣΕΙΣ:**
- όλα τα παραδείγματα χρήσης (με την εξαίρεση της αφαίρεσης χρώματος από παράθυρα) μπορούν να πραγματοποιηθούν χωρίς βοηθητικά εξαρτήματα - ωστόσο, η χρήση του κατάλληλου βοηθήματος διευκολύνει την εργασία και βελτιώνει σημαντικά το αποτέλεσμα
  - το εργαλείο αυτό μπορεί να χρησιμοποιηθεί σε συνδυασμό με τα εξαρτήματα BOSCH καθώς και άλλα ευρέως διαθέσιμα εξαρτήματα για πιστόλια θερμού αέρος

- Τοποθέτηση/αφαίρεση εξαρτημάτων
  - απλά προσαρμόστε το εξάρτημα στο στόμιο εξαγωγής αέρα L ②
  - αφαιρέστε το εξάρτημα τραβώντας το από το μπροστινό του άκρο όταν έχει κρυώσει

**! τα εξαρτήματα θα πρέπει να τοποθετούνται μόνο όταν το στόμιο εξαγωγής αέρα είναι κρύο, όταν ο διακόπτης βρίσκεται στη θέση "0" και όταν το φινι είναι βγαλμένο από την πρίζα**
- Δακτυλίδι ανάρτησης M ⑨
  - για εύκολη αποθήκευση του εργαλείου

**! αφήστε το εργαλείο να κρυώσει για 30 τουλάχιστον λεπτά πριν το αποθηκεύσετε**
- Σταθερός έλεγχος της θερμότητας (προστασία υπερφόρτισης)
  - Προστατεύει το θερμαντικό στοιχείο από ενδεχόμενες βλάβες εξαιτίας της υπερφόρτισης του εργαλείου, χωρίς να είναι ανάγκη να σταματήσετε το εργαλείο και/ή να το αφήσετε να κρυώσει για κάποιο χρονικό διάστημα
  - όταν η θερμοκρασία φτάσει σε πολύ υψηλά επίπεδα, το θερμαντικό στοιχείο σβήνει αυτόματα, ενώ το μοτέρ εξακολουθεί να λειτουργεί παράγοντας κρύο αέρα
  - όταν η θερμοκρασία έχει πέσει σε επιτρεπτά επίπεδα (κάτι που επιτυγχάνεται μέσα σε λίγα δευτερόλεπτα), το θερμαντικό στοιχείο θα αρχίσει πάλι να λειτουργεί αυτόματα

**! όταν σβήσει το εργαλείο αφού έχει λειτουργήσει σε ρύθμιση υψηλής θερμοκρασίας, και ανάψει ξανά μετά από σύντομο διάστημα, ίσως χρειαστεί να περάσει κάποιο διάστημα μέχρι το θερμαντικό στοιχείο του να φτάσει στην επιθυμητή θερμοκρασία**

## ΟΔΗΓΙΕΣ ΕΦΑΡΜΟΓΗΣ

- Αφαίρεση χρώματος/βερνικιού ⑩
  - χρησιμοποιείτε έναν καθαρό, αιχμηρό ξύστη
  - ξύστε με δύναμη μόλις μαλακώσει το χρώμα
  - κάντε δοκιμές για να εξακριβώσετε τον απαιτούμενο χρόνο θέρμανσης για την επίτευξη του καλύτερου δυνατού αποτελέσματος
  - ξύστε αμέσως το μαλακό χρώμα, ώστε να μην προλάβει να ξανασκληρυνεί
  - κρατάτε μια γωνία 30° με 40° μεταξύ του εργαλείου και της κατεργαζόμενης επιφάνειας
  - αφαιρέστε αμέσως τυχόν υπολείμματα χρώματος και σκουπίδια από τον ξύστη, για να αποφύγετε την ανάφλεξή τους
  - όπου σας βολεύει, να ξύνετε με τα νερά του ξύλου
  - μην κρατάτε το ζεστό ρεύμα αέρα στραμμένο στην ίδια επιφάνεια για μεγάλο χρονικό διάστημα
  - η αποκομιδή των υπολειμμάτων χρώματος θα πρέπει να γίνεται με ασφαλή τρόπο
  - καθορίστε καλά τον χώρο εργασίας όταν ολοκληρώσετε τις εργασίες σας

**! προσοχή όταν αφαιρείτε στρώματα χρώματος σε παλιά κτήρια: ενδέχεται το κτίριο να είχε βαφεί στο παρελθόν με χρώμα που περιείχε μόλυβδο, μια εξαιρετικά δηλητηριώδη ουσία**

**! η έκθεση ακόμη και σε χαμηλές ποσότητες μολύβδου ενδέχεται να προκαλέσει σοβαρή**

**βλάβη στον εγκέφαλο και στο νευρικό σύστημα, ιδιαίτερα σε μικρά και αγέννητα παιδιά**

**! αναθέστε την αφαίρεση χρώματος που περιέχει μόλυβδο σε κάποιο εξειδικευμένο άτομο, και μη χρησιμοποιείτε τον φυσητήρα θερμού αέρα**

**ΑΛΛΟ ΠΑΡΑΔΕΙΓΜΑ ΧΡΗΣΕΩΣ:**

- ★ αφαίρεση (συνθετικής) ταπετσαρίας
- Αφαίρεση χρώματος/βερνικιού από παράθυρα ⑪
  - χρησιμοποιείτε **πάντοτε** το ακροφύσιο προστασίας γυαλιού G όταν εργάζεστε κοντά σε γυαλί
  - αφαιρέστε το χρώμα με έναν ζύστη χεριού
- ! μη χρησιμοποιείτε το εργαλείο για την αφαίρεση χρώματος από παράθυρα με μεταλλικά πλαίσια: το μέταλλο είναι καλός αγωγός της θερμότητας, και θα μπορούσε να σπασει το τζάμι**
- Αφαίρεση αυτοκόλλητων (χρησιμοποιήστε το πεπλατυσμένο ακροφύσιο H) ⑫
  - πολλές κολλώδεις ουσίες μαλακώνουν όταν θερμαίνονται, και έτσι μπορείτε να ξεκολλήσετε αυτοκόλλητα και να αφαιρέσετε υπολείμματα κόλλας
- ! ζεσταίνετε την επάνω πλευρά του αυτοκόλλητου**
- ! φροντίστε ώστε να μην υπερθερμαίνεται η επιφάνεια κάτω από το αυτοκόλλητο**

**ΑΛΛΑ ΠΑΡΑΔΕΙΓΜΑΤΑ ΧΡΗΣΕΩΣ:**

- ★ αφαίρεση λινόταπητα και τάπητα βινυλίου
  - ★ αφαίρεση συνθετικών πλακιδίων δαπέδου
  - ★ αφαίρεση καπλαμάδων / επικόλληση λωρίδων καπλαμά
  - ★ μαλάκυνση/τήξη πίσσας, κασιτέρου, ασφάλτου, κεριού (χρησιμοποιήστε το πεπλατυσμένο ακροφύσιο H)
  - ★ κέρωμα (σκι, έπιπλα) (χρησιμοποιήστε το πεπλατυσμένο ακροφύσιο H) ⑬
  - ★ αφαίρεση ρητίνης
  - ★ λασκάρισμα σκουριασμένων/ σφιχτά βιδωμένων μεταλλικών βιδών, παξιμαδιών και κοχλιών
  - ★ αφαίρεση σταγόνων κεριού (**μην υπερθερμαίνετε την κάτω επιφάνεια**)
  - ★ επισκευή σπασμένων κεριών / διαμόρφωση λυγισμένων κεριών στο αρχικό τους σχήμα
  - Θερμοσυστολή σωλήνων ⑭
    - χρησιμοποιήστε το ανακλαστικό ακροφύσιο J ή το ακροφύσιο μείωσης K
    - επιλέξτε έναν θερμοσυστελλόμενο σωλήνα με διάμετρο η οποία να αντιστοιχεί στο κατεργαζόμενο κομμάτι
    - ζεσταίνετε ομοιόμορφα τον θερμοσυστελλόμενο σωλήνα
- ΑΛΛΟ ΠΑΡΑΔΕΙΓΜΑ ΧΡΗΣΕΩΣ:**
- ★ συστελλόμενο περιτύλιγμα
  - Συγκόλληση υδραγωγών ⑮
    - Αυτό το εργαλείο είναι κατάλληλο κυρίως για εργασίες με υλικά μαλακής συγκόλλησης (σημείο τήξης κάτω των 400°C)
    - χρησιμοποιήστε το ανακλαστικό ακροφύσιο J
    - καθαρίστε καλά τα δύο σημεία συγκόλλησης πριν τη συγκόλληση

- προθερμαίνετε και τα δύο σημεία και εφαρμόστε το σύρμα συγκόλλησης (**μη χρησιμοποιείτε το σύρμα συγκόλλησης που περιέχει μόλυβδο**)
  - Απόψυξη παγωμένων σωλήνων νερού ⑯
    - χρησιμοποιήστε το ανακλαστικό ακροφύσιο J
    - θερμαίνετε ομοιόμορφα το παγωμένο σημείο
  - ! πολλές φορές, οι σωλήνες νερού δύσκολα ξεχωρίζουν από τους αγωγούς αερίου - η θέρμανση αγωγών αερίου είναι εξαιρετικά επικίνδυνη: υπάρχει κίνδυνος έκρηξης**
- ΑΛΛΑ ΠΑΡΑΔΕΙΓΜΑΤΑ ΧΡΗΣΕΩΣ:**
- ★ Ξεπάγωμα σωλήνων PVC (θέση I, μέγιστη 60°C)
  - ★ Ξεπάγωμα παγωμένων κλειδαριών αυτοκινήτων (θέση I, μέγιστη 60°C) (χρησιμοποιήστε το ακροφύσιο μείωσης K)
  - ★ απόψυξη καταψυκτών (**μην προξενείτε βλάβη στο πλαστικό περιβλήμα**)
  - ★ Ξεπάγωμα παγωμένων σκαλοπατιών και πεζοδρομων
  - Διαμόρφωση πλαστικών σωλήνων
    - χρησιμοποιήστε το ανακλαστικό ακροφύσιο J
    - γεμίστε τον σωλήνα με άμμο και σφραγίστε τον από τις δύο πλευρές, για να αποφύγετε τη συστολή του σωλήνα
    - ζεσταίνετε τον σωλήνα ομοιόμορφα, κινώντας τον από τη μία πλευρά προς την άλλη
- ΑΛΛΑ ΠΑΡΑΔΕΙΓΜΑΤΑ ΧΡΗΣΕΩΣ:**
- ★ διαμόρφωση όλων των πλαστικών με χαμηλό σημείο τήξης (πολυαιθυλένιο, PVC κλπ.)
  - ★ διαμόρφωση όλων των πλαστικών με υψηλό σημείο τήξης (ακρυλικό γυαλί, πλεξιγκλάς κλπ.)
  - ★ διαμόρφωση και κάμψη συνθετικών πλακιδίων δαπέδου
  - ★ διαμόρφωση και κάμψη ξυλείας (μοντελισμός)
  - Συγκόλληση πλαστικών
    - η ραφή συγκόλλησης πρέπει να είναι καθαρή, χωρίς λιπαντικά
    - κρατήστε τη ράβδο συγκόλλησης κοντά στη ραφή και θερμαίνετε μέχρι να γίνει κολλώδης η ράβδος συγκόλλησης
    - απομακρύνετε τον θερμό αέρα μόλις γεμίσει η ραφή συγκόλλησης
- ΑΛΛΑ ΠΑΡΑΔΕΙΓΜΑΤΑ ΧΡΗΣΕΩΣ:**
- ★ επισκευή σανίδων για σέρφινγκ, σκι και άλλων συνθετικών ειδών αθλητισμού (χρησιμοποιήστε το πεπλατυσμένο ακροφύσιο H)
  - ★ συγκόλληση υλικών PVC
  - ★ εξαφάνιση φυσαλίδων μετά την επικόλληση ετικετών PVC
  - ★ σύνδεση ελαστικών σωλήνων ποτίσματος (χρησιμοποιήστε το ανακλαστικό ακροφύσιο J)
  - Στέγνωμα
    - ! στεγνώνετε μόνο στη χαμηλή ή μεσαία βαθμίδα θερμοκρασίας (θέση 1 ή 2) και σε αυξημένη απόσταση από το κατεργαζόμενο κομμάτι**
    - στέγνωμα χρώματος, βερνικιού, γύψου, κονιάματος (ασβεστολάσπης) και σουβά
    - στέγνωμα βρεγμένου ξύλου πριν το στοκάρισμα
    - γρήγορο στέγνωμα παχιών στρώσεων στόκου ή κόλλας
    - στέγνωμα αρμών κτηρίων πριν την εφαρμογή υλικού μόνωσης ή στεγανοποίησης
    - στέγνωμα αρμών και σχισμών στη ναυπηγία

- Καθάρισμα/απολύμανση
  - απολύμανση κλουβιών κουνελιών, περιστερώνων κλπ. (**απομακρύνετε πρώτα τα ζώα**)
  - καταπολέμηση αποικιών μυρμηγκιών
  - καταπολέμηση σκουληκιών και σαρακιών του ξύλου (**κρατήστε το εργαλείο στην κατάλληλη απόσταση από το ξύλο**)
  - εξάλειψη ζιζανίων

## ΣΥΝΤΗΡΗΣΗ / ΣΕΡΒΙΣ

- Αυτό το εργαλείο δεν προορίζεται για επαγγελματική χρήση
- Κρατάτε πάντοτε το εργαλείο και το καλώδιο καθαρά (και ιδιαίτερα τις θυρίδες αερισμού F ②)
- Ποτέ μη χρησιμοποιείτε εύφλεκτα υγρά για τον καθαρισμό του φυσητήρα, ειδικά του στομιού/ ακροφυσίου αέρα
- Αν παρ' όλες τις επιμελημένες μεθόδους κατασκευής κι ελέγχου το εργαλείο σταματήσει κάποτε να λειτουργεί, τότε η επισκευή του πρέπει να ανατεθεί σ' ένα εξουσιοδοτημένο συνεργείο για ηλεκτρικά εργαλεία της SKIL
  - στείλτε το εργαλείο **χωρίς να το αποσυαρμολογήσετε** μαζί με την απόδειξη αγοράς στο κατάστημα από το οποίο το αγοράσατε ή στον πλησιέστερο σταθμό τεχνικής εξυπηρέτησης της SKIL (θα βρείτε τις διευθύνσεις και το διάγραμμα συντήρησης του εργαλείου στην ιστοσελίδα [www.skil.com](http://www.skil.com))

## ΠΕΡΙΒΑΛΛΟΝ

- **Μην πετάτε τα ηλεκτρικά εργαλεία, εξαρτήματα και συσκευασία στον κάδο οικιακών απορριμμάτων** (μόνο για τις χώρες της ΕΕ)
  - σύμφωνα με την ευρωπαϊκή οδηγία 2012/19/ΕΚ περί ηλεκτρικών και ηλεκτρονικών συσκευών και την ενσωμάτωσή της στο εθνικό δίκαιο, τα ηλεκτρικά εργαλεία πρέπει να συλλέγονται ξεχωριστά και να επιστρέφονται για ανακύκλωση με τρόπο φιλικό προς το περιβάλλον
  - το σύμβολο ⑰ θα σας το θυμήσει αυτό όταν έλθει η ώρα να πετάξετε τις

## ΔΗΛΩΣΗ ΣΥΜΜΟΡΦΩΣΗΣ CE

- Δηλώνουμε υπευθύνως ότι το προϊόν που περιγράφεται στα "Τεχνικά χαρακτηριστικά" εκπληρώνει τους εξής κανονισμούς ή κατασκευαστικές συστάσεις: EN 60335, EN 61000, EN 55014 σύμφωνα με τις διατάξεις των οδηγιών 2006/95/ΕΚ, 2004/108/ΕΚ, 2011/65/ΕΕ
- **Τεχνικός φάκελος από:** SKIL Europe BV (PT-SEU/ENG1), 4825 BD Breda, NL

Marijn van der Hoofden  
Operations & Engineering

Olaf Dijkgraaf  
Approval Manager

SKIL Europe BV, 4825 BD Breda, NL

03.09.2014

CE11

## Suflantă cu aer cald

8004

## INTRODUCERE

- Această sculă este destinată îndepărtării vopselei, obținerii unei forme prescrise și sudării materialelor plastice, precum și încălzirii tuburilor izolante termocontractante; scula poate fi, de asemenea, folosită pentru lipire moale și cositorire, pentru slăbirea îmbinărilor cu adeziv și pentru dezghețarea conductelor de apă
- Această sculă nu este destinată utilizării profesionale
- Citiți și păstrați acest manual de instrucțiuni ③

## DATE TEHNICE ①

## ELEMENTELE SCULEI ②

- A** Întrerupător pornit/oprit  
**B** Butoane pentru reglarea temperaturii  
**C** Butoane pentru reglarea jetului de aer  
**D** Afișaj (LCD)  
**E** Inel de protecție  
**F** Fantele de ventilație  
**G** Duză protecție sticlă  
**H** Duză plată  
**J** Duză reflectoare  
**K** Duză reductoare  
**L** Aerisire/duză  
**M** Inel de atarnare

## SIGURANȚA

### INSTRUCȚIUNI DE SIGURANȚĂ GENERALE

**⚠ ATENȚIE!** Citiți toate indicațiile de avertizare și a instrucțiunilor. Nerespectarea indicațiilor de avertizare și a instrucțiunilor poate provoca electrocutare, incendii și/sau răni grave. **Păstrați toate indicațiile de avertizare și instrucțiunile în vederea utilizărilor viitoare.** Termenul de "sculă electrică" folosit în indicațiile de avertizare se referă la sculele electrice alimentate de la rețea (cu cablu de alimentare) și la sculele electrice cu acumulator (fără cablu de alimentare).

### 1) SIGURANȚA LA LOCUL DE MUNCĂ

- Păstrați-vă locul de muncă curat și bine iluminat.** Dezordinea la locul de muncă sau existența unor sectoare de lucru neiluminate poate duce la accidente.
- Nu folosiți mașina în medii cu pericol de explozie, acolo unde există lichide, gaze sau pulberi inflamabile.** Sculele electrice pot produce scântei care să aprindă pulberile sau vaporii.
- Nu permiteți accesul copiilor și al altor persoane în timpul lucrului cu mașina.** Dacă vi se distrage atenția puteți pierde controlul asupra mașinii.

### 2) SECURITATE ELECTRICĂ

- Ștecherul de racordare a mașinii trebuie să se potrivească cu priza de alimentare. Nu este permisă în nici-un caz modificarea ștecherului. Nu folosiți**



- adaptoare pentru ștechere la mașinile legate la pământ. Ștecherele nemodificate și prizele de curent adecvate acestora reduc riscul de electrocutare.
- b) **Evitați contactul corporal cu suprafețe legate la pământ ca țevi, radiatoare, plite electrice și frigider.** Există un risc crescut de electrocutare atunci când corpul dv. este și el legat la pământ.
  - c) **Nu lăsați mașina afară în ploaie sau în mediu umed.** Riscul de electrocutare crește atunci când într-o sculă electrică pătrunde apă.
  - d) **Nu trageți niciodată mașina de cordonul de alimentare pentru a o transporta, a o atârna sau a scoate ștecherul din priza de curent. Feriți cordonul de alimentare de căldură, ulei, mυχii ascuțite sau de subansamble aflate în mișcare.** Un cordon de alimentare deteriorat sau înfășurat mărește riscul de electrocutare.
  - e) **Atunci când lucrați cu scula electrică în aer liber, folosiți numai cordonane prelungitoare autorizate pentru exterior.** Întrebuițarea unu cordon prelungitor adecvat utilizării în aer liber reduce riscul de electrocutare.
  - f) **Atunci când nu poate fi evitată utilizarea sculei electrice în mediu umed, folosiți un întrerupător de circuit cu împământare.** Folosirea unei întrerupător de circuit cu împământare reduce riscul de electrocutare.
- ### 3) SECURITATEA PERSOANELOR
- a) **Fiți vigilenți, fiți atenți la ceea ce faceți și procedați rațional atunci când lucrați cu scula electrică. Nu folosiți mașina dacă sunteți oboșiți sau vă aflați sub influența drogurilor, alcoolului sau a medicamentelor.** Un moment de neatenție în timpul lucrului cu mașina poate duce la răniri grave.
  - b) **Purtați echipament de protecție personală și întotdeauna ochelari de protecție.** Folosirea echipamentelor de protecție a persoanei ca mască de protecție împotriva prafului, încălțăminte antiderapantă, cască de protecție sau aparat de protecție auditivă, în funcție de tipul și domeniul de folosire al sculei electrice, reduce riscul rănirilor.
  - c) **Evitați o punere în funcțiune involuntară. Înainte de a introduce ștecherul în priză și/sau de a introduce acumulatorul în scula electrică, de a o ridica sau de a o transporta, asigurați vă că aceasta este oprită.** Dacă atunci când transportați scula electrică țineți degetul pe întrerupător sau dacă porniți scula electrică înainte de a o racorda la rețeaua de curent, puteți provoca accidente.
  - d) **Înainte de a pune mașina în funcțiune scoateți afară cheile reglabile și fixe.** O cheie reglabilă sau fixă, aflată într-o componentă de mașină care se rotește, poate provoca răniri.
  - e) **Nu vă supraapreciați. Asigurați-vă o poziție stabilă și păstrați-vă întotdeauna echilibrul.** Astfel veți putea controla mai bine mașina în situații neașteptate.
  - f) **Purtați îmbrăcăminte de lucru adecvată. Nu purtați haine largi sau podoabe. Țineți părul, îmbrăcăminte și mânușile departe de componente aflate în mișcare.** Îmbrăcăminte largă, podoabele și părul lung pot fi prinse de piesele aflate în mișcare.
  - g) **Dacă există posibilitatea montării de echipamente și instalații de aspirare și colectare a prafului,**

asigurați-vă că acestea sunt conectate și folosite corect. Folosirea unei instalații de aspirare a prafului poate duce la reducerea poluării cu praf.

#### 4) MANEVRAȚI ȘI FOLOȘIȚI CU GRIJĂ SCULELE ELECTRICE

- a) **Nu suprasolicitați mașina. Folosiți scula electrică destinată executării lucrării dumneavoastră.** Cu scula electrică potrivit lucrăți mai bine și mai sigur în domeniul de putere specificat.
- b) **Nu folosiți scula electrică dacă are întrerupătorul defect.** O sculă electrică, care nu mai poate fi pomită sau oprită este periculoasă și trebuie reparată.
- c) **Scoateți ștecherul afară din priză și/sau îndepărtați acumulatorul, înainte de a executa reglaje, a schimba accesoriilor sau de a pune mașina la o parte.** Această măsură preventivă reduce riscul unei porniri involuntare a mașinii.
- d) **În caz de nefolosire păstrați mașinile la loc inaccesibil copiilor. Nu permiteți persoanelor care nu sunt familiarizate cu mașina sau care n-au citit prezentele instrucțiuni, să folosească mașina.** Sculele electrice sunt periculoase atunci când sunt folosite de persoane fără experiență.
- e) **Întrețineți-vă cu grijă mașina. Controlați dacă componentele mobile funcționează corect și dacă nu se blochează, dacă nu există piese defecte sau deteriorate, care să afecteze funcționarea mașinii.** Înainte de a repune în funcțiune mașina, duceți-o la un atelier de asistență service pentru repararea sau înlocuirea pieselor deteriorate. Multe accidente s-au datorat întreținerii defectuoase a sculelor electrice.
- f) **Păstrați accesoriile bine ascuțite și curate.** Accesoriile atent întreținute, cu mυχii tăietoare bine ascuțite se blochează mai greu și pot fi conduse mai ușor.
- g) **Folosiți sculele electrice, accesoriile, dispozitivele de lucru etc. conform prezentelor instrucțiuni. Țineți seama de condițiile de lucru și de lucrarea care trebuie executată.** Întrebuițarea unor scule electrice destinate altor utilizări decât cele preconizate, poate duce la situații periculoase.

#### 5) SERVICE

- a) **Permiteți repararea mașinii dumneavoastră numai de către un specialist calificat și numai cu piese de schimb originale.** În acest mod este garantată menținerea siguranței de exploatare a mașinii.

#### INSTRUCȚIUNI DE SIGURANȚĂ PENTRU SUFLANTA CU AER CALD

##### ÎNAINTE DE UTILIZARE:

- Verificați funcționarea sculei înaintea fiecărei utilizări și, în cazul unei defecțiuni, cereți unei persoane calificate să o repare; nu desfaceți niciodată dumneavoastră înșivă scula
- Verificați cordonul și ștecherul sculei înaintea fiecărei utilizări iar în cazul unei deteriorări a acestora, cereți unei persoane calificate să le înlocuiască
- Folosiți cabluri de prelungire derulate complet, protejate/izolate, cu o capacitate de 16 amperi
- Verificați periodic cordonul de prelungire și înlocuiți-l dacă este deteriorat

- Folosiți scula și accesoriile ei conform acestor instrucțiuni și numai pentru operațiile pentru care este destinată; folosirea sculei pentru operații diferite de cele pentru care scula a fost destinată ar putea duce la situații de risc
- Această sculă nu trebuie să fie folosit de persoane sub 16 ani
- Această sculă nu este destinată utilizării de către persoane (inclusiv copii) cu capacități reduse fizice, senzoriale sau mentale, sau fără experiență și cunoștințe, cu excepția cazului în care sunt supravegheați sau instruiți în privința folosirii sculei de către o persoană responsabilă pentru siguranța lor
- Asigurați-vă întotdeauna că tensiunea de alimentare este aceeași cu tensiunea indicată pe plăcuța de identificare a sculei
- Asigurați-vă că sculă are contactul întrerupt atunci când o contactați la priză

#### ÎN TIMPUL FUNCȚIONĂRII:

- **Manevrați cu grijă scula; feriți de foc și arsuri**
  - nu atingeți orificiul/duza de evacuare a aerului și obiectul încălzit; ele devin extrem de fierbinți
  - nu țineți orificiul/duza de evacuare a aerului prea aproape de piesa care urmează a fi prelucrată
  - nu orientați curentul de aer fierbinte spre aceeași suprafață pentru o perioadă prea lungă
  - nu priviți niciodată prin orificiul/duza de evacuare a aerului
  - purtați mănuși de protecție și ochelari de siguranță
  - nu orientați niciodată curentul de aer fierbinte către persoane sau animale
  - nu folosiți niciodată scula pentru a usca părul
  - nu lăsați scula nesupravegheată
  - nu lăsați niciodată scula în apropierea gazelor inflamabile și a materialelor combustibile (**pericol de explozii**)
  - atunci când lucrați cu materiale plastice, vopsea, lac și alte materiale asemănătoare se pot produce gaze inflamabile și otrăvitoare; informați-vă în prealabil asupra materialelor care urmează a fi prelucrate
  - țineți cont: căldura poate fi transferată materialelor combustibile aproape instantaneu
  - pentru siguranță țineți la îndemână o găleată cu apă sau un extingtor pentru cazul în care vreun material ar lua foc
- **Preveniți apariția șocului electric**
  - nu împingeți niciodată nimic în orificiul /duza de evacuare a aerului
  - evitați contactul corpului sculei cu suprafețele conectate la împământare (de exemplu: țevi, radiatoare, resouri, frigidere)
  - asigurați-vă că scula nu se udă
  - nu folosiți scula în locuri umede
  - atunci când o folosiți în aer liber, conectați scula prin intermediul unui întrerupător de curent de defect cu un curent de declansare de maximum 30mA și folosiți doar un cordon de racord destinat utilizării în aer liber echipat cu o priză protejată împotriva stropirii
- **Manevrați cordonul cu grijă**
  - țineți întotdeauna cordonul la distanță de curentul de aer fierbinte și de orificiul/duza de evacuare a aerului
  - feriți întotdeauna cordonul de căldură, ulei și margini ascuțite

- nu transportați scula ținând-o de cordon și nu smulgeți cordonul pentru a o deconecta de la priză
- nu suspendați scula de cordon
- Nu folosiți niciodată scula în timp ce în zonă se află solvenți chimici
- Asigurați-vă că zona de lucru este ventilată corespunzător
- Mențineți curată și bine iluminată zona de lucru
- Nu permiteți accesul copiilor în zona de lucru
- Asigurați-vă că copii nu se joacă cu scula
- Șocurile de curent la anclanșare produc căderi de tensiune de scurtă durată; în caz de condiții nefavorabile în rețea pot fi afectate și alte aparate (pentru impedențe de linie sub 0,127 + j0,079 Ohmi probabilitatea producerii deranjamentelor este nulă); pentru informații suplimentare vă rugăm contactați furnizorul dumneavoastră de energie electrică
- Fiți vigilenți; fiți atenți la ceea ce faceți, acționați cu simț practic și nu folosiți scula atunci când sunteți oboseți
- Mențineți o poziție sigură a corpului; nu vă întindeți corpul și membrele pentru a lucra, în special peste scări și platforme
- Asigurați-vă că scula are contactul întrerupt înainte de a o așeza
- În cazul unor defecțiuni electrice sau mecanice deconectați imediat instrumentul și scoateți șnurul din priză

#### DUPĂ UTILIZARE:

- Întrerupeți contactul sculei și deconectați de la priză
- **Lăsați scula să se răcească cel puțin 30 de minute înainte de a o depozita**
- Suspendați scula de inelul de suspendare M ② sau așezați-o pe partea din spate în poziție verticală; atunci când faceți acest lucru, asigurați-vă că nu există materiale combustibile sau gaze inflamabile în apropiere
- Nu depozitați/lăsați scula în exterior
- Depozitați scula într-un loc uscat și încluiat, la care copiii să nu aibă acces

#### UTILIZAREA

- Întrerupător pornit/oprit cu 2 trepte de temperatură ④
  - ! **verificați dacă întrerupătorul A este în poziția "0" înainte de a conecta la priză**
  - conectați scula apăsând întrerupătorul A în poziția dorită
    - I = 50°C + jet de aer 250-500 litri/minut
    - II = 50°C ... 650°C, jet de aer 250-500 litri/minut
  - atunci când o folosiți pentru prima dată, din sculă poate ieși fum; acesta este un lucru normal care va înceta în curând
  - întrerupeți contactul sculei apăsând întrerupătorul A în poziția "0"
- Reglarea temperaturii ⑤
  - reglați temperatura dorită pe pași de 10°C prin apăsarea scurtă B a butoanelor
  - apăsarea butoanelor B în mod constant crește/descreește continuu temperatura țintă până când butoanele sunt eliberate și se atinge temperatura minimă/maximă
  - după ce temperatura țintă a fost setată, ecranul D arată creșterea/descreeșterea reală a temperaturii până la atingerea temperaturii dorite (numai pentru în poziția "II")

- temperatura țintă va fi salvată în memoria aparatului, astfel încât de fiecare dată la pornire acesta se va încălzi până la temperatura țintă selectată ultima dată
  - Reglarea jetului de aer ⑥
    - reglați jetul de aer în modul dorit în pași de 50 l/min apăsând scurt butoanele C
    - pe afișaj D apare setarea reală a jetului de aer într-un grafic bară
  - Utilizare generală
    - stabiliți temperatura corectă testând o parte inobservabilă a piesei care urmează a fi prelucrată; începeți cu o treaptă de temperatură joasă
    - temperatura scade pe măsură ce distanța dintre orificiul/duza de evacuare a aerului și piesa care urmează a fi prelucrată crește
    - temperatura cerută depinde de materialul care urmează a fi prelucrat
  - Utilizarea în poziție staționară ⑦
    - așezați scula pe partea din spate în poziție verticală
    - asigurați-vă că suprafața este curată și fără praf; aerul poluat deteriorează motorul
    - asigurați-vă că direcția jetului de aer nu este orientată către dumneavoastră
    - asigurați-vă că scula nu va fi trasă de cordon
    - nu atingeți orificiul / duza de evacuare a aerului
    - asigurați-vă că nu cade nimic în orificiul/duza de evacuare a aerului
    - țineți cu grijă scula într-o mână în timp ce îi întrerupeți contactul cu cealaltă mână, apoi lăsați-o sa se răcească
  - Folosirea în locuri greu accesibile
    - îndepărtați inelul E ②, în acest fel măbind suprafața orificiului metalic
  - ! **acordați atenție creșterii riscului de apariție a incendiilor și arsurilor**
  - Mănuirea și dirijarea sculei ⑧
    - țineți scula cu o mână
    - mențineți fantele de ventilație F ② neacoperite
  - Accesorii standard ②
    - duză de protecție a sticlei G (pentru devierea jetului de aer)
    - duză plată H (pentru largirea jetului de aer)
    - duză reflectoare J (pentru reflectarea jetului de aer)
    - duză de reducere K (pentru concentrarea jetului de aer)
- NOTE:
- în toate cazurile (cu excepția îndepărtării vopselei de pe ferestre) scula se poate folosi și fără accesorii; în orice caz, utilizarea accesoriilor corespunzătoare simplifică munca și îmbunătățește semnificativ calitatea rezultatelor
  - acest instrument poate fi folosit și în combinație cu accesorii BOSCH și alte accesorii disponibile în comerț pentru pistoale cu aer cald
  - Montarea / demontarea accesoriilor
    - așezați accesoriul pe orificiul de evacuare a aerului L ②
    - demontați un accesoriu trăgându-l după ce s-a răcit
    - ! **montați un accesoriu numai când orificiul de evacuare a aerului s-a răcit, când întrerupătorul este în poziția "0" și când scula este deconectată de la priză**

- Inel de atârnare M ⑨
  - pentru depozitarea ușoară a scula
- ! **lăsați scula să se răcească cel puțin 30 de minute înainte de a o depozita**
- Kontrola constantă de caldură (protecția la suprasarcină)
 

Protejează elementul de încălzire atunci când scula este suprasolicitată fără a trebui să fie oprită și/sau lăsată să se răcească pentru un timp

  - atunci când temperatura crește prea mult, elementul de încălzire își autoîntrerupe contactul, în timp ce motorul continuă să funcționeze și produce aer rece
  - atunci când temperatura a scăzut suficient (ceea ce durează numai câteva secunde), elementul de încălzire își va redeschide contactul în mod automat- ! **când instrumentul este oprit după utilizarea la o setare ridicată a temperaturii și pornit din nou după o scurtă pauză, poate dura o perioadă până când elementul de încălzire ajunge la temperatura dorită**

## SFATURI PENTRU UTILIZARE

- Îndepărtarea vopselei/lacului ⑩
    - folosiți o răzuitoare curată, ascuțită
    - răzuiți cu putere atunci când vopseaua se înmoaie
    - testați pentru a stabili durata necesară aplicării încălzirii pentru a obține rezultate optime
    - răzuiți vopseaua înmuiață imediat, în caz contrar ea se va întări din nou
    - mențineți un unghi de 30° până la 40° între sculă și piesa care este prelucrată
    - îndepărtați imediat vopseaua și reziduurile de pe răzuitoare pentru ca acestea să nu ia foc
    - răzuiți până la fibra lemnului acolo unde este posibil
    - nu orientați curentul de aer fierbinte spre aceeași suprafață pentru o perioadă prea lungă
    - eliminați toate reziduurile de vopsea luând măsuri de siguranță
    - curățați complet zona de lucru după ce ați terminat lucrul
  - ! **aveți grijă ca atunci când îndepărtați straturile de vopsea din clădirile vechi; în trecut clădirile vechi ar fi putut fi vopsite cu vopsea pe bază de plumb care este foarte otrăvitoare**
  - ! **expunerea chiar la nivele mici de plumb poate afecta creierul și sistemul nervos; în mod deosebit copiii mici și feții sunt vulnerabili**
  - ! **lăsați un specialist să îndepărteze vopseaua pe bază de plumb fără a folosi un tun pentru încălzire**
- ALTĂ POSIBILITATE DE FOLOSIRE:
- ★ îndepărtarea tapetului (sintetic)
  - Îndepărtarea vopselei/lacului de pe ferestre ⑪
    - folosiți întotdeauna duza de protecție a sticlei G atunci când lucrați în apropierea sticlei
    - îndepărtați vopseaua cu o răzuitoare de mână
  - ! **nu folosiți scula pentru a îndepărta vopseaua de pe ferestrele cu ramă metalică; metalul este conductor de căldură ceea ce ar putea duce la spargerea sticlei**

- Îndepărtarea etichetelor (folosiți duza plată H) ⑫
  - mulți adevizi se înmoaie atunci când sunt încălziiți, permițând desprinderea etichetei și îndepărtarea adevizului de prisos

**! încălziiți eticheta pe latura superioară  
! aveți întotdeauna grijă să nu supraîncălziiți suprafața de sub etichetă**

#### ALTE POSIBILITĂȚI DE FOLOSIRE:

- ★ îndepărtarea linoleumului și a covoarelor pe bază de vinil
- ★ îndepărtarea mochetelor din fibre sintetice
- ★ îndepărtarea furnirului / aplicarea fâșilor de furnir
- ★ înmuierea / topirea smoalei, a cositorului, a bitumului, a cerii (folosiți duza plată H)
- ★ ceruica (schiuri, mobilier) (folosiți duza plată H) ⑬
- ★ îndepărtarea răsinii
- ★ slăbirea suruburilor, piulițelor și a bolțurilor metalice ruginite / prea puternic strănse
- ★ îndepărtarea cerii de lumânare (**nu supraîncălziiți suprafața de dedesubt**)
- ★ repararea lumânărilor rupte / readucerea lumânărilor la forma inițială
- Asamblarea prin contracție ⑭
  - folosiți duza reflectoare J sau duza de reducere K
  - alegeți un tub pentru asamblare prin contracție cu un diametru care să se potrivească cu cel al piesei care urmează a fi prelucrată
  - încălziiți uniform tubul pentru asamblare prin contracție

#### ALTĂ POSIBILITATE DE FOLOSIRE:

- ★ ambalarea prin contracție
  - Lipirea moale a conductelor de apă ⑮
    - Această sculă este optimă pentru lucrul cu aliaje pentru lipire moale (punctul de topire sub 400° C)
    - folosiți duza reflectoare J
    - curățați complet ambele secțiuni de asamblare înaintea lipirii
    - preîncălziiți ambele secțiuni și aplicați firul pentru lipire moale (**nu folosiți firul pentru lipire moale pe bază de plumb**)
  - Dezghețarea conductelor de apă înghețate ⑯
    - folosiți duza reflectoare J
    - încălziiți uniform zona înghețată
- ! conductele de apă sunt adeseori greu de deosebit de conductele de gaz; încălzirea conductelor de gaz este extrem de periculoasă, există riscul exploziei**

#### ALTE POSIBILITĂȚI DE FOLOSIRE:

- ★ dezghețarea conductelor de apă produse din PVC (**poziția I, max. 60°C**)
- ★ dezghețarea încuietorilor înghețate ale automobilelor (**poziția I, max. 60°C**) (folosiți duza de reducere K)
- ★ dezghețarea frigiderelor (**nu deteriorați carcasa din plastic**)
- ★ dezghețarea treptelor și a trotuarelor acoperite cu gheață
- Obținerea unei forme dorite a tuburilor din plastic
  - folosiți duza reflectoare J
  - umpleți tubul cu nisip și sigilați-l la ambele capete pentru a evita răsucirea tubului
  - încălziiți uniform tubul mișcându-l dintr-o parte în alta

#### ALTE POSIBILITĂȚI DE FOLOSIRE:

- ★ obținerea formei dorite a materialelor plastice cu punct de topire scăzut (polietilenă, PVC etc)
- ★ obținerea formei dorite a materialelor plastice cu punct de topire ridicat (sticlă acrilică, plexiglas etc)
- ★ obținerea formei dorite și îndoirea mochetelor produse din fibre sintetice
- ★ obținerea formei dorite și îndoirea lemnului (construcția machetelor)
- Sudarea materialelor plastice
  - cordonul de sudură trebuie să fie curat și fără urme de grăsime
  - țineți electrodul de sudură aproape de cordonul de sudură și încălziiți până când electrodul de sudură devine vâscos
  - îndepărtați surasa de căldură atunci când cordonul de sudură este umplut


#### ALTE POSIBILITĂȚI DE FOLOSIRE:

- ★ repararea plăcilor pentru surfing, a schiurilor și a altor articole sportive din materiale sintetice (utilizați duza plată H)
- ★ sudarea materialelor din PVC
- ★ netezirea bulelor de aer după lipirea etichetelor din PVC
- ★ conectarea furtunelor de grădină (utilizați duza reflectoare J)
- Uscarea
  - ! uscați doar la o treaptă de temperatură joasă sau media (poziția 1 sau 2) la o distanță mare între sculă și piesa ce urmează a fi prelucrată**
  - uscarea vopselei, lacului, gipsului, mortarului și ipsosului
  - uscarea lemnului ud înainte de rindeluire
  - uscarea rapidă a materialului de etanșare a rosturilor sau a adevizului, aplicate în strat gros
  - uscarea rosturilor construcțiilor înaintea pulverizării materialelor de izolație sau sigilare
  - uscarea rosturilor sau a fisurilor în construcția bărcilor
- Curățare / dezinfectare
  - dezinfectarea cuștilor pentru iepuri, coliviilor pentru porumbei etc (**în prealabil scoateți animalul din cușcă**)
  - combaterea coloniilor de furnici
  - combaterea cariiilor și a gândacilor (**țineți scula la o distanță corespunzătoare față de lemn**)
  - eliminarea buruienilor

## ÎNȚREȚINERE / SERVICE

- Această sculă nu este destinată utilizării profesionale
- Păstrați aparatul și cablul curat (mai ales fantele de ventilație F ②)
- Nu folosiți niciodată lichide ușor inflamabile pentru curățarea tunului pentru încălzire în general și a orificiului/ duzei de evacuare a aerului în particular
- Dacă în ciuda procedurilor de fabricație și control riguroase scula are totuși o pană, repararea acesteia se va face numai la un atelier de asistență service autorizat pentru scule electrice SKIL
  - trimiteți scula în **totalitatea lui** cu bonul de cumpărare la distribuitorul sau la centrul de service SKIL cel mai apropiat (adrese și diagrame de service se găsesc la [www.skil.com](http://www.skil.com))

## MEDIUL

- **Nu aruncați sculele електриче, аксориите или амбалажите директно в публичните контейнери** (numai за страните от Европейската общност)
  - Директивата Европейска 2012/19/ЕС съдържа информация за модула за изхвърляне на оборудването електриче и електронично и модула за приложение на нормите в съответствие с законодателството национално; скарите електриче в момента в които са достигнали степен на износване и трябва да се изхвърлят, те трябва да се събират отделно и да се рециклират в един начин, който съответства на нормите за защита на околната среда
  - символът  ще ви напомни за това

## ДЕКЛАРАЦИЯ ЗА СЪВМЕСТИМОСТ

- Декларирам на собствена отговорност, че продуктът, описан в параграфа "Технически данни" е в съответствие с приложимите стандарти и нормативни документи: EN 60335, EN 61000, EN 55014 в съответствие с предвидените директиви 2006/95/ЕС, 2004/108/ЕС, 2011/65/ЕС
- **Технически данни:** SKIL Europe BV (PT-SEU/ENG1), 4825 BD Breda, NL

Marijn van der Hoofden  
Operations & Engineering

Olaf Dijkgraaf  
Approval Manager

SKIL Europe BV, 4825 BD Breda, NL


03.09.2014

   
CE11

**BG**

## Пистолет за горещ въздух 8004

### УВОД

- Инструментът е предназначен за премахване на боя, оформяне и спояване на пластмасови изделия и нагряване на топлинно-свивачи се тръби; инструментът е подходящ и за спояване, калайдисване, разхлабване на слепени връзки и размразяване на водни тръби
- Този инструмент не е предназначен за професионална употреба
- Прочетете и пазете това ръководство за работа 

## ТЕХНИЧЕСКИ ДАННИ


## ЕЛЕМЕНТИ НА ИНСТРУМЕНТА

- A Прекъсвач за включване/изключване
- B Бутони за настройка на температура
- C Бутони за настройка на въздушния поток
- D Дисплей (LCD)
- E Защитна халка
- F Вентилационните отвори
- G Стъклозащитна дюза
- H Плоска дюза

- J Рефлекторна дюза
- K Намаляваща дюза
- L Въздушен отвор/дюза
- M Халка за закачане

## БЕЗОПАСНОСТ

### ОБЩИ УКАЗАНИЯ ЗА БЕЗОПАСНА РАБОТА

 **ВНИМАНИЕ!** Прочетете внимателно всички указания. Неспазването на приведените по долу указания може да доведе до токов удар, пожар и/или тежки травми. **Съхранявайте тези указания на сигурно място.** Използваният по-долу термин "електроинструмент" се отнася до захранвани от електрическата мрежа електроинструменти (със захранващ кабел) и до захранвани от акумулаторна батерия електроинструменти (без захранващ кабел).

### 1) БЕЗОПАСНОСТ НА РАБОТНОТО МЯСТО

- Поддържайте работното си място чисто и подредено.** Безпорядъкът или недостатъчното осветление могат да спомогнат за възникването на трудова злополука.
- Не работете с електроинструмента в среда с повишена опасност от възникване на експлозия, в близост до леснозапалими течности, газове или прахообразни материали.** По време на работа в електроинструментите се отделят искри, които могат да възпламенят прахообразни материали или пари.
- Дръжте деца и странични лица на безопасно разстояние, докато работите с електроинструмента.** Ако вниманието Ви бъде отклонено, може да загубите контрола над електроинструмента.

### 2) БЕЗОПАСНОСТ ПРИ РАБОТА С ЕЛЕКТРИЧЕСКИ ТОК

- Щепселът на електроинструмента трябва да е подходящ за ползвания контакт. В никакъв случай не се допуска изменение на конструкцията на щепсела.** Когато работите със занулени електроуреди, не използвайте адаптери за щепсела. Ползването на оригинални щепсели и контакти намалява риска от възникване на токов удар.
- Избягвайте допира на тялото Ви до заземени тела, напр. тръби, отоплителни уреди, пещи и хладилници.** Когато тялото Ви е заземено, рискът от възникване на токов удар е по-голям.
- Предпазвайте електроинструмента си от дъжд и влага.** Проникването на вода в електроинструмента повишава опасността от токов удар.
- Не използвайте захранващия кабел за цели, за които той не е предвиден, напр. за да носите електроинструмента за кабела или да извадите щепсела от контакта. Предпазвайте кабела от нагряване, омасляване, допир до остри ръбове или до подвижни звена на машини.** Повредени или усукани кабели увеличават риска от възникване на токов удар.

- e) **Когато работите с електроинструмент навън, използвайте само удължителни кабели, предназначени за работа на открито.** Използването на удължител, предназначен за работа на открито, намалява риска от възникване на токов удар.
- f) **Ако се налага използването на електроинструмента във влажна среда, използвайте предпазен прекъсвач за утечни токове.** Използването на предпазен прекъсвач за утечни токове намалява опасността от възникване на токов удар.
- 3) БЕЗОПАСЕН НАЧИН НА РАБОТА**
- a) **Бъдете концентрирани, следете внимателно действията си и постъпвайте предпазливо и разумно. Не използвайте електроинструмента, когато сте уморени или под влиянието на наркотични вещества, алкохол или упойващи лекарства.** Един миг разсеяност при работа с електроинструмент може да има за последствие изключително тежки наранявания.
- b) **Работете с предпазващо работно облекло и винаги с предпазни очила.** Носенето на подходящи за ползвания електроинструмент и извършваната дейност лични предпазни средства, като дихателна маска, здрави плътнотзатворени обувки със стабилен грайфер, защитна каска или шумозаглушители (антифони), намалява риска от възникване на трудова злополука.
- c) **Избягвайте опасността от включване на електроинструмента по невнимание. Преди да включите щепсела в захранващата мрежа или да поставите акумулаторната батерия, се уверявайте, че пусковият прекъсвач е в положение изключено.** Ако, когато носите електроинструмента, държите пръста си върху пусковия прекъсвач, или ако подавате захранващо напрежение на електроинструмента, когато е включен, съществува опасност от възникване на трудова злополука.
- d) **Преди да включите електроинструмента, се уверявайте, че сте отстранили от него всички помощни инструменти и гаечни ключове.** Помощен инструмент, забравен на въртящо се звено, може да причини травми.
- e) **Не надценявайте възможностите си. Работете в стабилно положение на тълпото и във всеки момент поддържайте равновесие.** Така ще можете да контролирате електроинструмента по-добре и по-безопасно, ако възникне неочаквана ситуация.
- f) **Работете с подходящо облекло. Не работете с широки дрехи или украшения. Дрънте косата си, дрехите и ръкавици на безопасно разстояние от въртящи се звена на електроинструментите.** Широките дрехи, украшенията, дългите коси могат да бъдат захванати и увлечени от въртящи се звена.
- g) **Ако е възможно използването на външна аспирационна система, се уверявайте, че тя е включена и функционира изправно.** Използването на аспирационна система намалява рисковете, дължащи се на отделящата се при работа прах.
- 4) ВНИМАТЕЛНО ОТНОШЕНИЕ КЪМ ЕЛЕКТРОИНСТРУМЕНТИ**
- a) **Не претоварвайте електроинструмента. Използвайте електроинструментите само съобразно тяхното предназначение.** Ще работите по-добре и по-безопасно, когато използвате подходящия електроинструмент в зададения от производителя диапазон на натоварване.
- b) **Не използвайте електроинструмент, чиито пусков прекъсвач е повреден.** Електроинструмент, който не може да бъде изключван и включван по предвидения от производителя начин, е опасен и трябва да бъде ремонтиран.
- c) **Преди да промените настройките на електроинструмента, да замените работни инструменти и допълнителни приспособления, както и когато продължително време няма да използвате електроинструмента, изключвайте щепсела от захранващата мрежа и/или изваждайте акумулаторната батерия.** Тази мярка премахва опасността от задействане на електроинструмента по невнимание.
- d) **Съхранявайте електроинструментите на места, където не могат да бъдат достигнати от деца. Не допускайте те да бъдат използвани от лица, които не са запознати с начина на работа с тях и не са прочели тези инструкции.** Когато са в ръцете на неопитни потребители, електроинструментите могат да бъдат изключително опасни.
- e) **Поддържайте електроинструментите си грижливо. Проверявайте дали подвижните звена функционират безупорно, дали не заклинват, дали има счупени или повредени детайли, които нарушават или изменят функциите на електроинструмента. Преди да използвате електроинструмента, се погрижете повредените детайли да бъдат ремонтирани.** Много от трудовете злополуки се дължат на недобре поддържани електроинструменти и уреди.
- f) **Поддържайте режещите инструменти винаги добре заточени и чисти.** Добре поддържаните режещи инструменти с остри ръбове оказват по-малко съпротивление и се водят по-леко.
- g) **Използвайте електроинструментите, допълнителните приспособления, работните инструменти и т.н., съобразно инструкциите на производителя. С дейности и процедури, евентуално предписани от различни нормативни документи.** Използването на електроинструменти за различни от предвидените от производителя приложения повишава опасността от възникване на трудови злополуки.
- 5) ПОДДЪРЖАНЕ**
- a) **Допускайте ремонтът на електроинструментите Ви да се извършва само от квалифицирани специалисти и само с използването на оригинални резервни части.** По този начин се гарантира съхраняване на безопасността на електроинструмента.

## УКАЗАНИЯ ЗА БЕЗОПАСНА РАБОТА ЗА ПИСТОЛЕТИ ЗА ГОРЕЩ ВЪЗДУХ

### ПРЕДИ УПОТРЕБА:

- Преди всяка употреба проверете изправността на инструмента, и в случай на дефект, незабавно се обърнете към квалифициран специалист; никога не отваряйте инструмента сами
- Преди всяка употреба проверете кабела и щепсела и в случай, че са повредени, се обърнете към квалифициран специалист за подмяна
- Използвайте напълно развити и обезопасени разклонители с капацитет 16 А
- Периодично проверявайте връзките на удължаващия кабела и в случай, че са повредени, незабавно ги подменете
- При употреба на инструмента и консумативите се съобразявайте с инструкциите за работа с тях; използването на инструмента за извършване на операции, различни от описаните може да доведе до рискови ситуации
- Машината не трябва да се използва от лица под 16 години
- Този инструмент не е предназначен за употреба от страна на лица (включително деца) с намалена физически, сетивни или умствени способности, или такива, които нямат нужните опит и знания, освен ако те не са под компетентно ръководство, или ако не са били съответно инструктирани по отношение употребата на инструмента от страна на лицето - отговарящо за тяхната безопасност
- Винаги сверявайте волтажа с този, отбелязан на маркировката на инструмента
- При включване в контакта се уверете, че електроинструмента е изключена

### ПРИ УПОТРЕБА:

- **Работете с инструмента внимателно, като се предпазвате от възпламеняване или избухване**
  - не докосвайте въздушната дюза и нагнетителните части; те се нагряват до много висока температура
  - не дръжте въздушната дюза твърде близо до повърхностите, които обработвате
  - не задържайте въздушния поток насочен в една посока прекалено дълго време
  - никога не насочвайте въздушната дюза срещу лицето си
  - носете защитни ръкавици и предпазни очила
  - никога не насочвайте въздушния поток срещу хора или животни
  - никога не използвайте инструмента за изсушаване на коса
  - не оставяйте инструмента без надзор
  - никога не използвайте инструмента в близост до лесно-възпламеними газове или взривоопасни материали (**възникване на експлозия**)
  - при работа с пластмаса, боя, лак и други подобни материали, има вероятност да се отделят лесно-възпламеними или отровни газове; затова предврително се уведомете за състава на материалите, с които ще работите

- внимавайте - топлината може да се пренесе и върху материали, извън полезрението Ви
  - като предпазна мярка в случай на възпламеняване на материала, винаги имайте в наличност кофа с вода или пожарогасител
  - **Защита от електрически удар**
    - никога не пъхайте предмети във въздушната дюза
    - избягвайте директен контакт със заземени повърхности (т.е. тръби, радиатори, печки, хладилници)
    - пазете инструмента от намокряне или овлажняване
    - не използвайте инструмента във влажни места
    - при употреба на открито, свържете инструмента посредством електрически прекъсвач (FI) с максимален начален ток 30 mA, и използвайте единствено кабела, предназначен за употреба на открито и снабден със защитени съединителни контакти
  - **Работете с инструмента внимателно**
    - пазете кабела от горещия въздушен поток и въздушната дюза
    - пазете кабела далеч от горещи предмети и остри ръбове
    - не носете инструмента за кабела, и при изключване не дърпайте кабела от контакта
    - не увисвайте инструмента за кабела
  - Не използвайте инструмента в комбинация с химически разтворители
  - Подсигурете добра вентилация на работната площ
  - Пазете работната повърхност чиста и добре осветена
  - Дръжте настрана деца от работната площ
  - Не позволявайте деца да играят с инструмента
  - При включване на мощни електроуреди е възможно възникването на кратковременни колебания на напрежението в захранващата мрежа; при съвпадение на неблагоприятни обстоятелства е възможно увреждане на други включени в мрежата уреди (при импеданс на захранващата мрежа, по-малък от  $0,127 + j0,079 \Omega$  смущенията са пренебрежимо малки); ако се нуждаете от допълнителни разяснения, моля обърнете се към Вашия локален специалист от Електроснабдяване
  - Работете внимателно; следете действията си и никога не използвайте инструмента когато сте уморени
  - Заемете сигурна позиция; не се навеждайте или протягайте твърде напред, особено когато сте върху стълба или платформа
  - Изключете инструмента след приключване на операцията
  - В случай на електрическа или механична неизправност, изключете незабавно апарата и прекъснете контакта с електрическата мрежа
- ### СЛЕД УПОТРЕБА:
- Изключете инструмента и извадете щепсела от контакта
  - **Преди да приберете инструмента а оставете да изстине минимум 30 минути**
  - Машината се окачва за халката М <sup>(2)</sup> или се поставя в изправено положение на задната си част; при

поставянето или окачването, се уверете, че в близост не се намират взривоопасни материали или лесно-възпламеняващи се газове

- Не съхранявайте/оставяйте инструмента на открито
- Съхранявайте инструмента в сухи и сигурни помещения, недостъпни за деца

## УПОТРЕБА

- Включване/Изключване на ключа в 2 положения, в зависимост от температурата ④
  - ! **преди да включите в контакта, се уверете че ключът А е в положение "0"**
  - включете инструмента като превключите ключа А в необходимата посока:
    - I = 50°C + въздушен поток 250-500 литра/минута
    - II = 50°C ... 650°C, въздушен поток 250-500 литра/минута
  - при употреба за първи път, е възможно от инструмента да се отдели пушек, който след известно време спира
  - изключете инструмента, като за целта превключите ключа А в положение "0"
- Настройване на температурата ⑤
  - изберете желаната температура, на интервали от по 10°C, чрез краткотрайно натискане на бутоните В
  - продължителното натискане на бутоните В увеличава/намалява желаната температура постоянно, докато не пуснете бутоните или докато не бъде достигната минималната/максималната температура
  - след като бъде избрана желаната температура, дисплеят D показва реалната увеличаваща се/намаляваща температура, до достигане на избраната температура (само в положение "II")
  - избраната температура се запамята в паметта на устройството, така че при всяко следващо включване уреда се загрива до температурата, която е била настроена последно
- Настройка на въздушния поток ⑥
  - изберете желания въздушен поток на интервали от по 50 л/мин, чрез краткотрайно натискане на бутоните С
  - дисплеят D показва актуалната настройка на потока въздух в хистограма
- Обща употреба
  - предварително тествайте работната температура върху част от работната повърхност; започнете работа с ниска температура
  - при увеличаване на разстоянието между въздушната дюза и работната повърхност температурата спада
  - необходимата температура зависи от материала, който ще обработвате
- Употреба в неподвижно състояние ⑦
  - поставете инструмента в изправено положение върху задната и част
  - уверете се, че повърхността е чиста и незапращена; замърсеният въздух поврежда мотора
  - уверете се, че въздушният поток не е насочен към Вас

- за да избегнете събаряне на инструмента, при работа внимавайте да не закачите кабела
- не докосвайте въздушните дюзи
- защитете дюзата от попадане на предмети или частици в нея
- дръжте внимателно инструмента с една ръка; с другата ръка я изключете и я оставете да истине
- Работа на трудно-достъпни места
  - премахнете халката Е ②; по този начин металната въздушна дюза разпръсква потока до по-отдалечени места
- ! **внимавайте - в този случай рискът от възпламеняване или взрив е по-голям**
- Държане и насочване на инструмента ⑧
  - дръжте инструмента с една ръка
  - оставяйте вентилационните отвори F ② непокрити
- Стандартни аксесоари ②
  - защитна дюза G (за отклоняване на въздушния поток)
  - плоска дюза H (за разпръскване на въздушния поток)
  - рефлекторна дюза J (за пречупване и отразяване на въздушния поток)
  - намаляваща дюза K (за концентриране на въздушния поток)

### ЗАБЕЛЕЖКИ:

- всички операции с инструмента (**с изключение на премахването на боя от прозорци**) могат да се извършват без помощта на аксесоари; употребата на подходящи аксесоари обаче улеснява работата и значително подобрява качеството на резултатите
- този електроинструмент може да се използва и с аксесоари за пистолети за горещ въздух на марката BOSCH и на други марки, предлагани на пазара
- Монтаж/Демонтаж на аксесоарите
  - монтажът се извършва като аксесоарът се поставя във въздушната дюза L ②
  - демонтажът на аксесоара се извършва като последният се издърпва напред след окончателно охлаждане
- ! **монтирането на аксесоарите се извършва само когато дюзата е студена, превключвателят е в положение "0" и щепселът е изключен от контакта**
- Пръстен за закачане M ③
  - за удобно съхранение на инструмента
- ! **преди да приберете инструмента я оставете да истине минимум 30 минути**
- Постоянна настройка на топлината (защита от претоварване)
  - Предпазва нагриващия елемент от повреда при претоварване на инструмента без необходимост от спиране на работата и/или изчакване до пълно охлаждане
  - при повишаване на температурата до твърде висока стойност, нагриващият елемент се самоизключва; моторът продължава да работи, произвеждайки студен въздух



- когато температурата спадне до необходимата стойност (този процес обикновено отнема няколко секунди), загряващият елемент автоматично се включва

**! когато електроинструментът се изключи след работа при настроена за висока температура и се включи отново след кратка пауза, може да е нужно известно време, преди нагревателният елемент да достигне желаната температура**

## УКАЗАНИЯ ЗА РАБОТА

- Премахване на боя/лак <sup>(10)</sup>
  - използвайте чисто, остро стъргало
  - здраво изстържете боята, когато тя омекне
  - предварително тествайте необходимото време за загряване за достигане на оптимални резултати
  - когато боята омекне, веднага я изстържете; в противен случай тя отново ще се втвърди
  - ъгълът между инструмента и работната повърхност трябва да е между 30° и 40°
  - за да избегнете възпламеняване, веднага премахнете боята и частиците от шпаклата или инструмента, с който работите
  - където е възможно стържете по надлъжните разрези на дървото
  - не задържайте въздушния поток насочен в една посока прекалено дълго време
  - внимателно премахнете всички остатъци от боя
  - след приключване на работа старателно почистете работната повърхност

**! внимавайте при премахване на пластове боя от стари сгради; има вероятност сградите да са били боядисани с бои, съдържащи олово, което е силно отровно**

**! дори в малки количества, оловото може да причини сериозни умствени повреди и повреди в нервната система; най-уязвими са малките деца и бременните жени**

**! при наличие на такъв вид боя, не използвайте инструмента, а се консултирайте със специалист**

### ДРУГИ ОБЛАСТИ НА ПРИЛОЖЕНИЕ:

- ★ премахване на (синтетични) стенини покрития
- Премахване на боя/лак от прозорци <sup>(11)</sup>
  - при работа в близост до стъкла винаги използвайте защитната дюза G
  - премахнете боята с ръчен инструмент
- ! не използвайте инструмента за премахване на боя от прозорци с метални каси или рамки; металът е топлопроводим материал и може да доведе до счупване на стъкло**
- Премахване на стикери (използвайте плоската дюза H) <sup>(12)</sup>
  - при нагриване голяма част от лепилата омекват, като по този начин залепените връзки се разкъсват
- ! загрявайте стикерите откъм горната част**
- ! не прегрявайте долната повърхност**

### ДРУГИ ОБЛАСТИ НА ПРИЛОЖЕНИЕ:

- ★ премахване на балатуми и линолеуми
- ★ премахване на настилки, съдържащи синтетични влакна
- ★ премахване на фурнири/фурнирни ленти
- ★ омокотвяване/Стапяне на катран, смола, калай, восък (използвайте плоската дюза H)
- ★ смазване с восък (сни, мебели) (използвайте плоската дюза H) <sup>(13)</sup>
- ★ премахване на смоли и клей
- ★ разхлабване на ръждиви или твърде стегнати метални резби, болтове и гайки
- ★ отстраняване на восък от свещи (**не прегрявайте долната повърхност**)
- ★ поправка на счупени свещи или възстановяване на огънати свещи до първоначалната им форма
- Стесняване на фитинги <sup>(14)</sup>
  - използвайте рефлекторната дюза J или намаляващата дюза K
  - изберете тръба, чийто фитинг трябва да се стеснява, с диаметър, съответстващ на работната част
  - нагряйте тръбата равномерно

### ДРУГИ ОБЛАСТИ НА ПРИЛОЖЕНИЕ:

- ★ пристягане на обвивки
  - Спояване на водни тръби <sup>(15)</sup>

Машината е предназначена за работа предимно с меки спойки (точка на стопяване под 400°)

    - използвайте рефлекторната дюза J
    - преди спояване внимателно почистете двете свързващи части
    - предварително нагряйте двете свързващи части и поставете тенол (не използвайте тенол съдържащи олово)
  - Размразяване на замразени водни тръби <sup>(16)</sup>
    - използвайте рефлекторната дюза J
    - равномерно загрейте замразената повърхност
- ! понякога е трудно да се разграничат водните от газ-тръбите; нагриването на газови тръби е изключително опасно - съществува риск от експлозия**

### ДРУГИ ОБЛАСТИ НА ПРИЛОЖЕНИЕ:

- ★ размразяване на водни PVC тръби (**положение I, макс. 60°C**)
- ★ размразяване на замръзнали автомобилни ключалки (**положение I, макс. 60°C**) (използвайте намаляващата дюза K)
- ★ размразяване на фризери/хладилници (**внимавайте с пластмасовите части**)
- ★ размразяване на покрити с лед плочки или павета
- Оформяне на пластмасови тръби
  - използвайте рефлекторната дюза J
  - напълнете тръбата с пясък и запечатайте двата и края, за да избегнете огъване на тръбата
  - загрейте тръбата равномерно като движите от едната към другата посока

### ДРУГИ ОБЛАСТИ НА ПРИЛОЖЕНИЕ:

- ★ оформяне на пластмасови изделия с ниска точка на топене (полиетилен, PVC и др.)
- ★ оформяне на пластмасови изделия с висока точка на топене (плексиглас и др.)

- ★ оформяне и огъване на настилки, съдържащи синтетични влакна
  - ★ оформяне и огъване на дървото (изработка на модели)
  - Заваряване на пластмасови изделия
    - спойващият шев трябва да бъде чист и без наличие на мазнини
    - дръжте спояващият електрод близо до шева и нагрейте, докато той стане лепкав
    - когато шевът се запълни спрете нагриването
- ДРУГИ ОБЛАСТИ НА ПРИЛОЖЕНИЕ:**
- ★ поправка на сърфове, ски и други синтетични спортни стоки (използвайте дюза H)
  - ★ заваряване на PVC-материали
  - ★ изглаждане на грапавини и фуги след залепване на надписи от PVC
  - ★ зашиване на градински маркучи (използвайте рефлекторната дюза J)
- Изсушаване

**! изсушавайте само при ниски или средни температури (положение 1 или 2) и с увеличено разстояние между инструмента и работата повърхност**

- изсушаване на боя, лак, гипс, хоросан и мазилка
- изсушаване на мокри дървени материали преди употреба
- изсушаване на дебели слоеве пълнежи или бързодействащи лепила
- изсушаване на съединения на сгради непосредствено преди изолиране или запечатване
- изсушаване на съединения и пукнатини на плавателни съдове
- Почистване/дезинфекция
  - дезинфекция на зайчарници, гълъбарници и др (преди дезинфекция извадете животните)
  - унищожаване на дървояди
  - унищожаване на дървесни бръмбари (дръжте инструмента на подходящо разстояние от дървото)
  - почистване на плевели

## ПОДДРЪЖКА / СЕРВИЗ

- Този инструмент не е предназначен за професионална употреба
- Поддържайте винаги електроинструмента и захранващия кабел чисти (особено вентилационните отвори F ②)
- Не използвайте лесно възпламеними течности за почистване на инструмента, особено на дюзите
- Ако въпреки прецизното производство и внимателно изпитване възникне повреда, инструмента да се занесе за ремонт в оторизиран сервиз за електроинструменти на SKIL
  - занесете инструмента в неразглобен вид заедно с доказателство за покупката му в търговския обект, откъдето сте го закупили, или в най-близкия сервиз на SKIL (адресите, както и схемата за сервизно обслужване на електроинструмента, можете да намерите на адрес [www.skil.com](http://www.skil.com))

## ОПАЗВАНЕ НА ОКОЛНАТА СРЕДА

- **Не изхвърляйте електроуредите, приспособленията и опаковните заедно с битови отпадъци** (само за страни от ЕС)
  - съобразно Директивата на ЕС 2012/19/EG относно износени електрически и електронни уреди и отразяването ѝ в националното законодателство износените електроуреди следва да се събират отделно и да се предават за рециклиране според изискванията за опазване на околната среда
  - за това указва символът ⑦ тогава когато трябва да бъдат унищожени

## ДЕКЛАРАЦИЯ ЗА СЪОТВЕТСТВИЕ CE

- С пълна отговорност ние декларираме, че описаният в "Технически данни" продукт съответства на следните стандарти или нормативни документи: EN 60335, EN 61000, EN 55014 съгласно изискванията на директиви 2006/95/EG, 2004/108/EG, 2011/65/EC
- **Подробни технически описания при:** SKIL Europe BV (PT-SEU/ENG1), 4825 BD Breda, NL

Marijn van der Hoofden      Olaf Dijkgraaf  
Operations & Engineering      Approval Manager

SKIL Europe BV, 4825 BD Breda, NL

03.09.2014

CE11

SK

## Horúcovzdušné pištole

8004

### ÚVOD

- Tento nástroj je určený na odstraňovanie náterov, na tvarovanie a spájanie materiálov z plastov a na zahrievanie potrubí, ktoré sú tvarovateľné a zväratelné teplom; nástroj je tiež vhodný na spájkovanie a cínovanie, na uvoľňovanie lepených spojov a na rozmrazovanie vodovodných rúr
- Tento nástroj nie je vhodný pre profesionálne použitie
- Prečítajte a uschovajte tento návod na použitie ③

### TECHNICKÉ ÚDAJE ①

### ČASTI NÁSTROJA ②

- A Spinač zapnutie/vypnutie
- B Tlačidlo na nastavenie teploty
- C Tlačidlo na nastavenie prúdu vzduchu
- D Displej (LCD)
- E Ochranný krúžok
- F Vetracie štrbiny
- G Dýza na ochranu skla
- H Plochá dýza
- J Odrážacia dýza

- K Redukčná dýza
- L Vzduchový otvor/dýza
- M Závesný krúžok

## BEZPEČNOSŤ

### VŠEOBECNÉ BEZPEČNOSTNÉ POKYNY

**⚠ POZOR!** Prečítajte si všetky výstražné upozornenia a bezpečnostné pokyny. Zanedbanie dodržiavania výstražných upozornení a pokynov uvedených v nasledujúcom texte môže mať za následok zásah elektrickým prúdom, spôsobiť požiar a/alebo ťažké poranenie. **Tieto výstražné upozornenia a bezpečnostné pokyny starostlivo uschovajte na budúce použitie.** Pojem ručné "elektrické náradie" používaný v nasledujúcom texte sa vzťahuje na ručné elektrické náradie napájané zo siete (s prírodnou šnúrou) a na ručné elektrické náradie napájané akumulátorovou batériou (bez prírodnej šnúry).

#### 1) BEZPEČNOSŤ NA PRACOVISKU

- a) **Udržiavajte svoje pracovisko čisté a upratané.** Neporiadok na pracovisku alebo neosvetlené časti pracoviska môžu viesť k úrazom.
- b) **Nepracujte elektrickým náradím v prostredí ohrozenom výbuchom, v ktorom sa nachádzajú horľavé kvapaliny, plyny alebo prach.** Elektrické náradie produkuje iskry, ktoré môžu prach alebo pary zapáliť.
- c) **Deti a iné osoby udržiavajte počas práce od ručného elektrického náradia v dostatočnej vzdialenosti.** V prípade odpútania Vašej pozornosti by ste mohli stratiť kontrolu nad náradím.

#### 2) ELEKTRICKÁ BEZPEČNOSŤ

- a) **Zástrčka prírodnej šnúry sa musí hodiť do napájacej zásuvky. Zástrčka sa v žiadnom prípade nesmie meniť. Pri uzemnených spotrebičoch nepoužívajte spolu s nimi žiadne adaptéry.** Nezmenená zástrčka a vhodná zásuvka znižujú riziko zásahu elektrickým prúdom.
- b) **Vyhýbajte sa telesnému kontaktu s povrchovými plochami uzemnených spotrebičov, ako sú elektrické rúry, vyhrievacie telesá, sporáky a chladničky.** Keď je Vaše telo uzemnené, riziko zásahu elektrickým prúdom je vyššie.
- c) **Chráňte ručné elektrické náradie pred dažďom a vlhkom.** Vniknutie vody do ručného elektrického náradia zvyšuje riziko zásahu elektrickým prúdom.
- d) **Nepoužívajte prírodnú šnúru na prenášanie náradia, na jeho vešanie, ani za ňu nevyťahujte zástrčku zo zásuvky. Prírodnú šnúru chráňte pred horúčkovou, olejom, ostrými hranami alebo pohybujúcimi sa časťami náradia.** Poškodené alebo zauzlené šnúry zvyšujú riziko zásahu elektrickým prúdom.
- e) **Ak pracujete s ručným elektrickým náradím vonku, používajte len také predĺžovacie šnúry, ktoré sú schválené pre použitie vo vonkajších priestoroch.** Použitie predĺžovacej šnúry určenej do vonkajšieho prostredia znižuje riziko zásahu elektrickým prúdom.

- f) **Ak sa nedá vyhnúť použitiu ručného elektrického náradia vo vlhkom prostredí, použite prerušovač uzemňovacieho obvodu.** Používanie prerušovača uzemňovacieho obvodu znižuje riziko zásahu elektrickým prúdom.

#### 3) BEZPEČNOSŤ OSÔB

- a) **Buďte pozorní, dávajte pozor na to, čo robíte a k práci s elektrickým náradím pristupujte rozumne. Nepoužívajte elektrické náradie, keď ste unavení alebo keď ste pod vplyvom drog, alkoholu alebo liekov.** Chvíľa nepozornosti pri používaní náradia môže viesť k vážnym poraneniám.
  - b) **Noste osobné ochranné pomôcky, ochranný odev a vždy majte nasadené ochranné okuliare.** Nosenie pracovného odevu a používanie ochranných pomôcok ako ochrannej dýchacej masky, bezpečnostných protišmykových topánok, prilby alebo chrániča sluchu, podľa druhu elektrického náradia, znižuje riziko poranenia.
  - c) **Vyhýbajte sa neúmyselnému uvedeniu ručného elektrického náradia do činnosti. Pred zasunutím zástrčky do zásuvky a/alebo pred pripojením akumulátora, pred chytením alebo prenášaním ručného elektrického náradia sa vždy presvedčte sa, či je ručné elektrické náradie vypnuté.** Ak budete mať pri prenášaní ručného elektrického náradia prst na vypínači, alebo ak ručné elektrické náradie pripojíte na elektrickú sieť zapnutú, môže to mať za následok nehodu.
  - d) **Skôr ako ručné elektrické náradie zapnete, odstráňte nastavovacie a montážne nástroje.** Nástroj alebo kľúč, ktorý sa nachádza v pohyblivej časti náradia, môže spôsobiť poranenie.
  - e) **Nepreceňujte sa. Zabezpečte si pevný postoj a neprestajne udržiavajte rovnováhu.** Takto budete môcť ručné elektrické náradie v neočakávaných situáciách lepšie kontrolovať.
  - f) **Pri práci noste vhodný pracovný odev. Nenoste široké odevy a nemajte na sebe šperky. Dbajte na to, aby ste mali vlasy, odev a rukavice v dostatočnej vzdialenosti od pohybujúcich sa častí náradia.** Pohybujúce sa časti náradia by mohli zachytiť voľné oblečenie, šperky alebo dlhé vlasy.
  - g) **Ak možno namontovať zariadenie na odsávanie alebo zachytávanie prachu, presvedčte sa, či je pripojené a správne používané.** Používanie odsávacieho zariadenia a zariadenia na zachytávanie prachu znižuje riziko ohrozenia zdravia prachom.
- #### 4) STAROSTLIVÉ ZAOBCHÁDZANIE S ELEKTRICKÝM NÁRADÍM A JEHO POUŽÍVANIE
- a) **Náradie nepreťažujte. Pre svoju prácu používajte určené elektrické náradie.** Pomocou vhodného ručného elektrického náradia budete môcť v uvedenom rozsahu výkonu pracovať lepšie a bezpečnejšie.
  - b) **Nepoužívajte žiadne ručné elektrické náradie, ktoré má pokazený vypínač.** Ručné elektrické náradie, ktoré sa už nedá zapínať alebo vypínať, je nebezpečné a treba ho dať opraviť.
  - c) **Skôr ako začnete náradie nastavovať alebo prestavovať, vymieňať príslušenstvo alebo skôr, ako odložíte náradie, vždy vytiahnite zástrčku**

sieťovej šnúry zo zásuvky. Toto bezpečnostné opatrenie zabraňuje neúmyselnému spusteniu náradia.

- d) **Nepoužívané ručné elektrické náradie uschovávajúce mimo dosahu detí. Nedopusťte, aby ručné elektrické náradie používali osoby, ktoré s ním nie sú dôkladne oboznámené, alebo ktoré si neprečítali tento Návod na používanie.** Ak ručné elektrické náradie používajú neskúsené osoby, stáva sa nebezpečným nástrojom.

- e) **Elektrické náradie starostlivo ošetrte. Skontrolujte, či pohyblivé súčiastky náradia bezchybne fungujú a neblokujú a či nie sú zlomené alebo poškodené niektoré súčiastky, ktoré by mohli negatívne ovplyvniť fungovanie ručného elektrického náradia. Pred použitím ručného elektrického náradia dajte poškodené súčiastky opraviť.** Nejednen úraz bol spôsobený zle udržiavaným náradím.

- f) **Používané nástroje udržiavajte ostré a čisté.**

Starostlivo ošetrované nástroje s ostrými reznými hranami sa menej často zablokujú a ich vedenie je podstatne ľahšie.

- g) **Používajte ručné elektrické náradie, príslušenstvo, pracovné nástroje a pod. podľa týchto pokynov. Zohľadnite pritom konkrétne pracovné podmienky a činnosť, ktorú máte vykonať.** Používanie ručného elektrického náradia na iné ako určené účely môže viesť k nebezpečným situáciám.

#### 5) SERVIS

- a) **Ručné elektrické náradie zverte do opravy len kvalifikovanému personálu a používajte len originálne náhradné súčiastky.** Tým sa zabezpečí zachovanie bezpečnosti ručného elektrického náradia.

### BEZPEČNOSTNÉ POKYNY PRE HORÚCOVZDUŠNÉ PÍŠTOLE

#### PRED POUŽITÍM:

- Skontrolujte funkčnosť nástroja pred každým použitím a v prípade poruchy ju dajte okamžite opraviť kvalifikovanou osobou; nikdy neotvárajte nástroj sám
- Prekontrolujte prípojnú šnúru a zástrčku pred každým použitím, ak sú poškodené, nechajte ich vymeniť kvalifikovanou osobou
- Používajte úplne odmotanú a bezpečnú predlžovaciu šnúru s kapacitou 16 A
- Pravidelne kontrolujte predlžovaciu šnúru a ak je poškodená, vymeňte ju
- Používajte nástroj a jeho doplnky v súlade s touto príručkou a na účely, na ktoré je nástroj určený; používanie nástroja na činnosti iné, než na aké je normálne nástroj určený môže mať za následok rizikové situácie
- Tento nástroj by nemali používať osoby mladšie ako 16 rokov
- Tento nástroj nie je určený na použitie osobami (vrátane detí), ktoré majú znížené fyzické, zmyslové alebo mentálne schopnosti, alebo majú nedostatok skúseností a vedomostí, pokiaľ nad nimi nie je dozor alebo im neboli poskytnuté pokyny zahŕňajúce použitie tohto nástroja osobou, ktorá je zodpovedná za ich bezpečnosť
- Vždy skontrolujte, či je napájacie napätie také isté ako napätie uvedené na štítku nástroja

- Pri zapínaní do zástrčky sa vždy uistite, že nástroj je vypnutý

#### POČAS POUŽITIA:

- **Zachádzajte s nástrojom opatrne; chráňte pred ohňom a spálením**
  - nedotýkajte sa vzduchovej dýzy/otvoru a ohrievaného otvoru; sú veľmi horúce
  - nedržte vzduchovú dýzu/otvor príliš blízko, objektu s ktorým sa bude pracovať
  - nikdy nesmerujte prúd horúceho vzduchu na to isté miesto príliš dlho
  - nikdy sa nepozerajte do vzduchového otvoru/dýzy
  - používajte ochranné rukavice a okuliare
  - nikdy nesmerujte prúd horúceho vzduchu na ľudí alebo na zvieratá
  - nikdy nepoužívajte nástroj na sušenie vlasov
  - nikdy nenechávajte nástroj bez obsluhy
  - nikdy nepoužívajte nástroj v tesnej blízkosti horľavých plynov alebo horľavých materiálov (**nebezpečenstvo výbuchu**)
  - pri práci s materiálmi z plastov, s nátermi, lakmi, alebo s podobnými materiálmi, a s materiálmi, ktoré môžu produkovať horľavé a jedovaté plyny, informujte sa dopredu o materiáloch s ktorými budete pracovať
  - vezmite do úvahy, že sa teplo môže preniesť na horľavé materiály, ktoré sú mimo vášho zorného poľa
  - aby ste zabezpečili bezpečnosť pre prípad, že sa nejaký materiál vznieti, majte vždy poruke vedro s vodou, alebo hasiaci prístroj
- **Zabráňte úrazu elektrickým prúdom**
  - nikdy nič nepchajte do vzduchového otvoru/dýzy
  - vyhýbajte sa kontaktu tela s uzemnenými povrchmi (napr. s rúrami, radiátormi, sporákmi, chladničkami)
  - zabezpečte, aby sa do nástroja nedostala vlhkosť
  - nikdy nepoužívajte nástroje na vlhkých miestach
  - keď sa používa vonku, pripojte nástroj cez stykačový ističporuchového prúdu (FI) s maximálnym spúšťacím prúdom 30 mA a používajte predlžovaciu šnúru, ktorá je určená na vonkajšie použitie a ktorá má vodotesnú prípojnú zástrčku
- **So šnúrou narábajte opatrne**
  - šnúru vždy držte stranou od prúdu horúceho vzduchu a mimo vzduchového otvoru/dýzy
  - držte šnúru stranou od tepla, mimo oleja a ostrých hrán
  - nenoste nástroj tak, že visí na šnúre a neťahajte za šnúru, keď ju chcete odpojiť zo zástrčky
  - nevypínajte nástroj šnúrou
- Nikdy nepoužívajte nástroj s chemickými roztokmi
- Presvedčte sa, že pracovný priestor je patrične vetraný
- Udržujte pracovisko čisté a dobre osvetlené
- Nepúšťajte deti do pracovného priestoru
- Uistite sa, že sa deti s nástrojom nehrajú
- Pri zapínaní vzniká krátkodobý pokles napätia; za nepriaznivých podmienok v elektrickej sieti to môže mať negatívny vplyv na ostatné spotrebiče (v prípade impedancie menšej ako 0,127 + j0,079 Ohmov sa poruchy neobjavujú); ak potrebujete ďalšie informácie môžete sa obrátiť na svojho lokálneho distribútora elektrickej energie
- Buďte pozorný, dávajte pozor na to čo robíte a nepracujte s nástrojom, keď ste unavený

- Zaujmite bezpečný postoj; nezachádzajte príliš ďaleko, najmä na rebriekoch a na lešeniach
- Predtým, ako položíte nástroj nabok, presvedčte sa, že je vypnutý
- V prípade elektrickej alebo mechanickej poruchy zastavte okamžite nástroj a vyťahnite zástrčku z nástennej zásuvky

#### PO POUŽITÍ:

- Vypnite nástroj a odpojte zo zástrčky
- **Nechajte nástroj vychladieť najmenej 30 minút, predtým ako ho odložíte**
- Uložte nástroj na závesný krúžok M ②, alebo ho položte na jeho zadnú stranu, tak že otvor nástroja smeruje dohora; keď tak urobíte, presvedčte sa, že sa v tesnej blízkosti nástroja nenachádzajú žiadne horľavé materiály ani horľavé plyny
- Neskladujte/nenechávajte nástroj vonku
- Nástroj skladujte na suchom a uzamknutom mieste, mimo dosahu detí

## POUŽITIE

- Vypínač zapnuté/vypnuté s 2 nastaveniami teploty ④
- ! **skontrolujte, či je vypínač A, pred zapojením do zástrčky, v polohe "0"**
- zapnite nástroj zatlačením vypínača A do požadovanej polohy:
  - I = 50°C + prúd vzduchu 250-500 litrov za minútu
  - II = 50°C ... 650°C, prúd vzduchu 250-500 litrov za minútu
- keď sa nástroj používa prvý raz, môže sa stať, že z nástroja bude vychádzať nejaký dym; je to normálne a za chvíľu to skončí
- vypnite nástroj zatlačením vypínača A do polohy "0"
- Nastavenie teploty ⑤
  - nastavte želanú cieľovú teplotu postupne po 10°C krátkym stláčaním B tlačidiel
  - stláčanie tlačidiel B neustále plynulo zvyšuje/znižuje cieľovú teplotu pokiaľ sa tlačidlá neuvoľnia, alebo sa nedosiahne minimálna/maximálna teplota
  - potom ako sa nastaví cieľová teplota, na displeji D sa zobrazí aktuálna stúpajúca/klesajúca teplota pokiaľ sa nedosiahne želaná teplota (len v polohe "II")
  - cieľová teplota sa uchová v pamäti náradia, takže po zapnutí náradia ho vždy zohreje na naposledy zvolenú cieľovú teplotu
- Nastavenie prúdu vzduchu ⑥
  - nastavte želaný prúd vzduchu postupne po 50 l/min. krátkym stláčaním tlačidiel C
  - na displeji D sa zobrazuje aktuálne nastavenie prúdu vzduchu v stĺpcovom diagrame
- Všeobecné použitie
  - nastavte správnu teplotu otestovaním na nenápadnej časti materiálu s ktorým idete pracovať; začnite s nastavením nízkej teploty
  - teplota klesá s nárastom vzdialenosti medzi vzduchovým otvorom/dýzou a pracovným povrchom
  - požadovaná teplota závisí na materiále s ktorým sa bude pracovať
- Stacionárne použitie ⑦
  - položte nástroj na jeho zadnú časť, tak že je otvor hore
  - zabezpečte, aby bol povrch čistý a bez prachu; znečistený vzduch poškodzuje motor

- zabezpečte, aby prúd vzduchu smeroval mimo vás
- zabezpečte prípojnú šnúru, aby nestiahla nástroj
- nedotýkajte sa vzduchového otvoru/dýzy
- zabezpečte, aby do vzduchového otvoru/dýzy nič nespadlo
- opatrne pridržiujte nástroj jednou rukou, pokiaľ ho druhou rukou vypínate a potom ho nechajte vychladnúť
- Použitie pri ťažko dostupných miestach
  - odstráňte krúžok E ②, tým uvoľníte kovový vzduchový otvor aby dosiahol na väčšiu vzdialenosť
- ! **dávajte pozor na zvýšené riziko ohňa a spálenia**
- Držanie a vedenie nástroja ⑧
  - držte nástroj jednou rukou
  - vetracie štrbiny F ② udržiajte nezakryté
- Štandardné doplnky ②
  - dýza G na ochranu skla (pre odchyľovanie prúdu vzduchu)
  - plocha dýza H (pre rozšírenie prúdu vzduchu)
  - odrážacia dýza J (reflektor) (na odrážanie prúdu vzduchu)
  - redukčná dýza K (pre koncentrovanie prúdu vzduchu)

#### POZNÁMKY:

- všetky príklady aplikácií (**okrem odstraňovania náteru z okien**) sa môžu urobiť bez doplnkov; avšak použitie vhodných doplnkov zjednodušuje prácu a významne zvýši kvalitu výsledkov
- toto zariadenie je možné použiť aj v kombinácii s doplnkami pre teplovzdušné pištole BOSCH a ďalším, bežne dostupným príslušenstvom pre teplovzdušné pištole
- Doplnky na montáž/odstraňovanie
  - jednoducho priložte doplnok na vzduchový otvor L ②
  - odstráňte doplnok tak, že ho po vychladnutí z prednej časti vyťahnete
- ! **namontujte doplnok len keď je vzduchový otvor studený, keď je vypínač v polohe "0" a keď je zástrčka odpojená**
- Závesný krúžok M ⑨
  - na jednoduche skladovanie nástroja
- ! **nechajte nástroj vychladieť najmenej 30 minút, predtým ako ho odložíte**
- Konštantná regulácia teploty (ochrana proti preťaženiu)
  - Chráni vyhrievacie teleso pred poškodením, keď je nástroj preťažený bez toho, aby ste ho museli zastaviť a, resp. alebo aby ste ho museli nechať po čase vychladnúť
  - keď sa dosiahne vysoká teplota, vyhrievacie teleso sa samé vypne, pričom motor beží a vháňa studený vzduch
  - keď teplota dostatočne poklesne (v priebehu pár sekúnd), vyhrievacie teleso sa automaticky zapne
- ! **ak zariadenie generovalo vysokú teplotu, vyplí ste ho a znova po krátkej pauze zaplíte, nastavenie tepelného elementu na požadovanú teplotu môže chvíľu trvať**

## RADU NA POUŽITIE

- Odstraňovanie náterov/lakov ⑩
  - používajte čistú a ostrú škrabku
  - keď náter zmäkne, pevne škrabte

- vyskúšajte si, aby ste určili dĺžku času, počas ktorého je potrebné aplikovať teplo, aby ste dosiahli optimálne výsledky
- okamžite oškrabte zmáknutý náter, pretože opäť stvrdne
- medzi nástrojom a pracovným miestom udržiajte 30° až 40° uhol
- okamžite odstráňte náter a odpad zo škrabky, aby ste zabránili jeho vznieteniu
- vždy keď je to možné, oškrabte škrabku kúskom dreva
- nikdy nesmerujte prúd horúceho vzduchu na to isté miesto príliš dlho
- uložte bezpečne odstránený náter
- po ukončení práce poriadne vyčistite pracovné miesto

**! pri odstraňovaní vrstiev náterov v starých budovách buďte opatrní; v minulosti mohli byť staré budovy natierané farbami, ktoré obsahovali olovo, ktoré je vysoko jedovaté**

**! vystavenie sa účinkom, dokonca malých dávok olova môže spôsobiť vážne poškodenie mozgu a nervového systému; malé a nenarodené deti sú zvlášť zraniteľné**

**! nechajte si nátery, ktoré obsahujú olovo odstrániť profesionálmi bez použitia tepelnej pištole**

#### ĎALŠÍ PŘÍKLAD POUŽITIA:

- ★ odstraňovanie náterov zo stien (syntetických)
- Odstraňovanie náterov/lakov z okien (11)
  - pri práci v blízkosti skla používajte **vždy** dýzu G na ochranu skla
  - odstráňte náter ručnou škrabkou
- ! nepoužívajte nástroj na odstraňovanie náterov z kovových okien; kov je tepelne vodivý, čo by mohlo mať za následok poškodenia skla**
- Odstraňovanie nálepiek (použité plochú dýzu H) (12)
  - veľa lepidiel pri zahriatí zmäkne čo umožní, aby sa lepené spoje oddelili a aby sa zmáknuté lepidlo odstránilo

**! zahrievajte nálepku v jej hornej časti zvrchu**  
**! vždy dávajte pozor, aby ste neprehriali povrch pod nálepkou**

#### ĎALŠIE PŘÍKLADY POUŽITIA:

- ★ odstraňovanie linolea a vinylových podláh
- ★ odstraňovanie podlahových krytín vyrobených zo syntetických vlákien
- ★ odstraňovanie obkladov/používanie obkladov
- ★ zmäkčovanie/tavenie dechtu, cinu, asfaltu, vosku (použité plochú dýzu H)
- ★ voskovanie (lyži, nábytku) (použité plochú dýzu H) (13)
- ★ odstraňovanie živíc
- ★ uvoľňovanie zahrádzaných / silne dotiahnutých kovových skrutiek, nitov a matic
- ★ odstraňovanie vosku zo sviečok (**neprehrejte povrch pod ním**)
- ★ oprava zlomených sviečok / naprávanie ohnutých sviečok do ich pôvodného tvaru
- Spojte tesniace zmršťovaním (14)
  - použite odrážajúcu dýzu J alebo redukčnú dýzu K
  - vyberte trubicu, ktorá sa používa na spoje tesniace zmršťovaním s takým priemerom, ktorý je rovnaký ako kus trubky, ktorú ideme spájať
  - zahrejte jemne trubicu, ktorú ideme spájať

#### ĎALŠÍ PŘÍKLAD POUŽITIA:

- ★ balenie zmršťovaním
- Spájkovanie vodovodných potrubí (15)
  - Tento nástroj je najvhodnejší na prácu s mäkkými spájkami (s bodom tavenia pod 400 °C)
    - použité odrážajú dýzu J (reflektor)
    - pred spájkovaním starostlivo vyčistite obidve časti, ktoré sa budú spájať
    - predhrejte obidve časti a aplikujte spájkovací drôt (**nepoužívajte spájkovací drôt, ktoré obsahujú olovo**)
- Rozmrazovanie zamrznutých vodovodných potrubí (16)
  - použité odrážajú dýzu J (reflektor)
  - jemne zahrievajte zamrznuté miesto
- ! často je ťažké odlišiť vodovodné trubky od plynových trubiek; zahrievanie plynových trubiek je veľmi nebezpečné - riziko výbuchu**

#### ĎALŠIE PŘÍKLADY POUŽITIA:

- ★ rozmrazovanie vodovodných trubiek vyrobené z PVC (**poloha I, max. 60°C**)
- ★ rozmrazovanie zamrznutých automobilových zámok (**poloha I, max. 60°C**) (použité redukčnú dýzu K)
- ★ rozmrazovanie mrazničiek (**nepoškodíte obal z plastu**)
- ★ rozmrazovanie a odstraňovanie ľadu z chodníkov a ciest
- Tvarovanie trubiek z plastov
  - použité odrážajú dýzu J (reflektor)
  - naplňte trubicu pieskom a utesnite ju na oboch koncoch, aby ste sa vyhlí zauzleniu trubky
  - jemne zahrievajte trubicu tak, že s ňou pohybuje zo strany na stranu

#### ĎALŠIE PŘÍKLADY POUŽITIA:

- ★ tvarovanie všetkých materiálov z plastov, ktoré majú nízku teplotu tavenia (polyetylén, PVC, atý)
- ★ tvarovanie všetkých materiálov z plastov, ktoré majú vysokú teplotu tavenia (akrylické sklo, plexisklo, atý)
- ★ tvarovanie a ohybanie dlažieb vyrobených zo syntetických vlákien
- ★ tvarovanie a ohybanie dreva (stavanie modelov)
- Zváranie materiálov z plastov
  - zváraný spoj musí byť čistý a odmastený
  - držte zväraciu tyčku tesne pri zváranom spoji a zahrievajte ho až kým sa zväracia tyčka nezačne lepiť
  - prestaňte zahrievať, keď sa zdá, že zváraný spoj je zaplnený

#### ĎALŠIE PŘÍKLADY POUŽITIA:

- ★ oprava dosiek na surfovanie, lyži a ďalšieho športového náradia z umelých hmôt (použité plochú dýzu H)
- ★ zváranie materiálov z PVC
- ★ vyhladzovanie bublín po nalepení nálepiek z PVC
- ★ spájanie záhradných hadíc na polievanie (použité odrážajú dýzu J (reflektor))
- Sušenie
  - ! vysušte len pri nastavení na nízku alebo strednú teplotu (poloha 1 alebo 2) a pri väčšej vzdialenosti medzi nástrojom a plochou, s ktorou pracujete**
  - vysušovanie náterov, lakov, sadry, malty a omietyky
  - vysušovanie vlhkého reziva pred použitím

- rýchle vysušovanie nahrubo nanesených výplní alebo lepidiel
- vysušovanie stavebných spojov pred nastriekaním izolácie, alebo tesnenia
- vysušovanie spojov a trhlín pri stavbe lodí
- Čistenie / dezinfikovanie
  - dezinfikovanie klieťok pre zajace, holuby, atý (**najskôr vyberte zvieratá**)
  - boj s kolóniami mravcov
  - boj s črvotočom a hmyzom (**držte nástroj v patričnej vzdialenosti od dreva**)
  - ničenie buriny

## ÚDRŽBA / SERVIS

- Tento nástroj nie je vhodný pre profesionálne použitie
- Nástroj a sieťovú šnúru udržiajte stále čisté (zvlášť vetracie štrbiny F ②)
- Vo všeobecnosti nikdy nepoužívajte ľahko vznietiteľné tekutiny na čistenie zahrievacej pištole a najmä nie na čistenie vzduchového otvoru/dýzy
- Ak by nástroj napriek starostlivej výrobe a kontrole predsa len prestal niekedy fungovať, treba dať opravu vykonať autorizovanej servisnej opravovni elektrického náradia SKIL
  - pošlite nástroj **bez rozmontovania** spolu s dôkazom o kúpe; vášmu dilerovi alebo do najbližšieho servisného strediska SKIL (zoznam adries servisných stredísk a servisný diagram nástroja sú uvedené na [www.skil.com](http://www.skil.com))

## ŽIVOTNÉ PROSTREDIE

- **Elektrické náradie, príslušenstvo a balenia nevyhadzujte do komunálneho odpadu** (len pre štáty EÚ)
  - podľa európskej smernice 2012/19/EG o nakladaní s použitými elektrickými a elektronickými zariadeniami a zodpovedajúcich ustanovení právnych predpisov jednotlivých krajín sa použité elektrické náradie musí zbierať oddelene od ostatného odpadu a podrobiť ekologicky šetrnej recyklácii
  - pripomenie vám to symbol ⑰, keď ju bude treba likvidovať

## VYHLÁSENIE O ZHODE CE

- Na vlastnú zodpovednosť vyhlasujeme, že dole popísaný výrobok "Technické údaje" sa zhoduje s nasledujúcimi normami alebo normatívnymi dokumentami: EN 60335, EN 61000, EN 55014 podľa ustanovení smerníc 2006/95/EG, 2004/108/EG, 2011/65/EU
- **Súbor technickej dokumentácie sa nachádzajú na adrese:** SKIL Europe BV (PT-SEU/ENG1), 4825 BD Breda, NL

Marijn van der Hoofden  
Operations & Engineering

Olaf Dijkgraaf  
Approval Manager

SKIL Europe BV, 4825 BD Breda, NL

03.09.2014

CE11

HR

## Puhalo vrućeg zraka

8004

### UVOD

- Ovaj je uređaj predviđen za skidanje starih slojeva boje, oblikovanje i zavarivanje plastike i zagrijavanje cijevi na toplo skupljanje; uređaj je pogodan i za lemljenje i kositrenje, otpuštanje zalijepljenih spojeva i odmrzavanje vodovodnih cijevi
- Ovaj uređaj nije namijenjen profesionalnoj upotrebi
- Pažljivo pročitajte i sačuvajte ove upute za rukovanje ③

### TEHNIČKI PODACI ①

#### DIJELOVI ALATA ②

- A Prekidač uključeno/isključeno
- B Gumbi za podešavanje temperature
- C Gumbi za podešavanje strujanja zraka
- D Zaslon (LCD)
- E Zaštitni prsten
- F Otvori za strujanje zraka
- G Nastavak za zaštitu stakla
- H Plosnati nastavak
- J Povratni nastavak
- K Suženi nastavak
- L Otvor/mlaznica za protok zraka
- M Prsten za vješanje

### SIGURNOST

#### OPĆE UPUTE ZA SIGURAN RAD

**PAŽNJA!** Treba pročitati sve napomene o sigurnosti i upute. Ako se ne bi poštivala napomene o sigurnosti i upute to bi moglo uzrokovati strujni udar, požar i/ili teške ozljede. **Sačuvajte sve napomene o sigurnosti i upute za buduću primjenu.** U daljnjem tekstu korišten pojam "električni alat" odnosi se na električne alate s priključkom na električnu mrežu (s mrežnim kabelom) i na električne alate s napajanjem iz aku baterije (bez mrežnog kabela).

#### 1) SIGURNOST NA RADNOM MJESTU

- a) **Vaše radno područje održavajte čisto i uredno.** Nered ili neosvijetljeno radno područje mogu doći do nezgoda.
- b) **S uređajem ne radite u okolini ugroženoj eksplozijom, u kojoj se nalaze zapaljive tekućine, plinovi ili prašina.** Električni alati proizvode iskre koje mogu zapaliti prašinu ili pare.
- c) **Djecu i ostale osobe držite dalje tijekom korištenja električnog alata.** Ako bi skrenuli pozornost sa posla mogli bi izgubiti kontrolu nad uređajem.

#### 2) ELEKTRIČNA SIGURNOST

- a) **Priključni utikač uređaja treba odgovarati utičnici.** Na utikaču se ni u kojem slučaju ne smiju izvoditi izmjene. Ne koristite adapterske utikače zajedno sa uređajima koji su zaštićeni uzemljenjem. Originalni utikač i odgovarajuće utičnice smanjuju opasnost od električnog udara.

- b) Izbjegavajte dodir tijela s uzemljenim površinama kao što su cijevi, centralno grijanje, štednjaci i hladnjaci. Postoji povećana opasnost od električnog udara ako je vaše tijelo uzemljeno.
- c) **Držite uređaj dalje od kiše ili vlage.** Prodiranje vode u električni uređaj povećava opasnost od električnog udara.
- d) **Priključni kabel ne koristite za nošenje, vješanje ili za izvlačenje utikača iz utičnice. Držite kabel dalje od izvora topline, ulja, oštih rubova ili pomičnih dijelova uređaja.** Oštećen ili usukan kabel povećava opasnost od električnog udara.
- e) **Ako s električnim uređajem radite na otvorenom, koristite samo produžni kabel odobren za uporabu na otvorenom.** Primjena produžnog kabela prikladnog za uporabu na otvorenom smanjuje opasnost od električnog udara.
- f) **Ako se ne može izbjeći uporaba električnog alata u vlažnoj okolini, upotrijebite sigurnosna sklopka za propuštanje u zemlju.** Upotrebom sigurnosne sklopke za propuštanje u zemlju smanjuje se opasnost od električnog udara.

### 3) SIGURNOST LJUDI

- a) **Budite oprezni, pazite što činite i postupajte razumno kod rada s električnim alatom. Ne koristite uređaj ako ste umorni ili pod utjecajem opojnih sredstava, alkohola ili lijekova.** Trenutak nepažnje kod uporabe uređaja može doći do ozbiljnih ozljeda.
- b) **Nosite sredstva osobne zaštite i uvijek zaštitne naočale.** Nošenje sredstava osobne zaštite, kao što je zaštitna maska, sigurnosne cipele koje ne klize, zaštitne kacige ili štitnika za sluh, ovisno od vrste i primjene električnog alata, smanjuje opasnost od nezgoda.
- c) **Izbjegavajte nehotično puštanje u rad. Prije nego što ćete utaknuti utikač u utičnicu i/ili staviti aku-bateriju, provjerite je li električni alat isključen.** Ako kod nošenja električnog alata imate prst na prekidaču ili se uključen uređaj priključi na električno napajanje, to može dovesti do nezgoda.
- d) **Prije nego što uređaj uključite, uklonite alate za podešavanje ili vijčane ključeve.** Alat ili ključ koji se nalazi u rotirajućem dijelu uređaja može doći do nezgoda.
- e) **Ne precjenjujte svoje sposobnosti. Zauzmite siguran i stabilan položaj tijela i držite u svakom trenutku ravnotežu.** Na taj način možete uređaj bolje kontrolirati u neočekivanim situacijama.
- f) **Nosite prikladnu odjeću. Ne nosite široku odjeću ili nakit. Neka vaša kosa, odjeća i rukavice budu što dalje od pomičnih dijelova.** Mlohavu odjeću, nakit ili dugu kosu mogu zahvatiti pomični dijelovi uređaja.
- g) **Ako se mogu montirati naprave za usisavanje i hvatanje prašine, provjerite da li su iste priključene i da li se pravilno koriste.** Primjena naprave za usisavanje može smanjiti ugroženost od prašine.

### 4) BRIŽLJIVA UPORABA ELEKTRIČNIH ALATA

- a) **Ne preopterećujte uređaj. Koristite za vaše radove za to predviđen električni alat.** S odgovarajućim električnim alatom radit ćete bolje i sigurnije, u navedenom području učinka.

- b) **Ne koristite električni alat čiji je prekidač neispravan.** Električni alat koji se više ne može uključiti ili isključiti, opasan je i treba se popraviti.
- c) **Izvučite utikač iz mrežne utičnice i/ili izvadite aku-bateriju prije podešavanja uređaja, zamjene pribora ili odlaganja uređaja.** Ovim mjerama opreza spriječit će se nehotično pokretanje uređaja.
- d) **Nekoristišene električne alate spremite izvan doseg djece. Ne dopustite da uređaj koriste osobe koje s njim nisu upoznate ili koje nisu pročitale upute za uporabu.** Električni alati su opasni ako ih koriste neiskusne osobe.
- e) **Uređaj održavajte s pažnjom. Kontrolirajte da li pomični dijelovi uređaja besprijekorno rade i da nisu zaglavjeni, te da li su dijelovi polomljeni ili tako oštećeni da negativno djeluju na funkciju uređaja. Popravite oštećene dijelove prije uporabe uređaja.** Mnoge nezgode imaju svoj uzrok u loše održavanim uređajima.
- f) **Rezne alate održavajte oštirim i čistim.** Pažljivo održavani rezni alati s oštirim oštricama neće se zaglaviti i lakši su za vođenje.
- g) **Koristite električne alate, pribor, radne alate, itd., prema navedenim uputama. Pri tome uzmite u obzir radne uvjete i radove koje se izvode.** Uporaba električnih alata za neke druge primjene različite od predviđenih, može doći do opasnih situacija.

### 5) SERVIS

- a) **Popravak uređaja prepustite samo kvalificiranom stručnom osoblju i samo s originalnim rezervnim dijelovima.** Na taj će se način postići održanje stalne sigurnosti uređaja.

### UPUTE ZA SIGURAN RAD PUHALA VRUĆEG ZRAKA

#### PRIJE UPORABE:

- Djelovanje uređaja treba provjeriti prije svake uporabe i u slučaju neispravnosti odmah zatražiti stručnu osobu za popravak; uređaj nikada sami ne otvarajte
- Prije svake uporabe kontrolirati priključni kabel i utikač uređaja i u slučaju oštećenja zatražiti zamjenu od kvalificiranog električara
- Upotrebljavajte samo neodmotane i zaštićene produžne kabele kapaciteta 16 ampera
- Produžni kabel redovito kontrolirati; oštećeni produžni kabel treba zamijeniti
- Uređaj i njegov pribor koristiti u skladu s ovim uputama za uporabu i na način propisan za uređaj; korištenje uređaja za radove koji se razlikuju od radova predviđenih za uređaj, može vas doći u opasnu situaciju
- Uređaj ne bi smjele koristiti osobe mlađe od 16 godina
- Nije predviđeno da se ovim alatom koriste osobe (uključujući i djecu) sa smanjenim fizičkim, osjetilnim ili mentalnim sposobnostima, neiskusne i neobučene osobe, osim ako se nalaze pod nadzorom osobe koja odgovara za njihovu sigurnost ili su od nje dobile upute o načinu korištenja alata
- Uvijek provjeriti da li se mrežni napon podudara s mrežnim naponom sa tipske pločice uređaja
- Kod priključka osigurati da uređaj bude isključen



## TIJEKOM UPORABE:

- **S uređajem oprezno postupati: na taj ćete se način zaštititi od požara i opekline**
  - ne dirati otvor za zrak/sapnicu i zagrijavani predmet, jer su jako zagrijani
  - otvor za zrak/sapnicu ne držati suviše blizu obrađivanom predmetu
  - struju vrućeg zraka ne usmjeravati suviše dugo na istu površinu
  - nikada ne gledati u otvor za zrak/sapnicu
  - nositi zaštitne rukavice i zaštitne naočale
  - struju vrućeg zraka nikada ne usmjeravati na ljude i životinje
  - uređaj nikada ne koristiti za sušenje kose
  - uređaj nikada ne ostavljati bez nadzora
  - uređaj nikada ne koristiti blizu zapaljivih plinova ili zapaljivih materijala (**opasnost od eksplozije**)
  - kod rada s plastikom, bojama, lakom i sličnim materijalima mogu nastati zapaljivi i otrovni plinovi; informirajte se prethodno o obrađivanim materijalima
  - podsjećamo da se toplina na zapaljivim materijalima može prenijeti izvan vidnog polja
  - dobro je imati u pripravnosti posudu s vodom ili vatrogasni aparat, ukoliko bi se neki od zapaljivih materijala zapalio
- **Izbjegavanje električnog udara**
  - nikada ne stavljati nešto u otvor za zrak/sapnicu, čime bi se isti začepio
  - izbjegavati dodir tijela s uzemljenim površinama (npr. cijevi, radijatori, štednjaci, hladnjaci)
  - osigurati da uređaj tijekom rada ne bude mokar
  - uređaj ne koristiti na vlažnim mjestima
  - kod primjene na otvorenom uređaj priključiti preko zaštitne sklopke struje kvara (FI) s okidačkom strujom od max. 30 mA i koristiti samo produžni kabel koji je predviđen za primjenu na otvorenom i čija su priključna mjesta zaštićena od prskanja vode
- **S priključnim kabelom postupati oprezno**
  - kabel uvijek držati dalje od struje vrućeg zraka i od otvora za zrak/sapnice
  - kabel držati dalje od zagrijanih mjesta, ulja i oštih rubova
  - uređaj ne nositi držeći ga za kabel i ne izvlačiti iz utičnice potezanjem za kabel nego utikač
  - ne omotavati alat s kabelom
  - Uređaj nikada ne koristiti zajedno s kemijskim otapalima
  - Osigurati da radno područje bude dovoljno provjetravano
  - Radno područje održavati čistim i dobro provjetranim
  - Djecu držati dalje od radnog područja
  - Pobrinite se da se djeca ne igraju ovim alatom
  - Nagli prtok struje uzrokuje kratkotrajni pad napona, pod nepovoljnim uvjetima napajanja električnom energijom, može se oštetiti i druga oprema (ako je ovisnost sustava o električnom napajanju niža od 0,127 + j0,079 ohma, nije vjerojatno da će se pojaviti smetnje); ako su vam potrebna daljnja objašnjenja molim obratite se lokalnoj ustanovi za opskrbu električnom energijom
  - Uvijek budite oprezni, svjesni opasnosti i radite s uređajem ako niste umorni i ako ste dovoljno koncentrirani
  - Paziti na siguran i stabilan položaj tijela, posebno na ljestvama i podestima
  - Prije nego što se uređaj odloži treba ga isključiti

- U slučaju neuobičajenog ponašanja uređaja ili neobičnih šumova, uređaj treba odmah isključiti i izvući utikač iz mrežne utičnice

## NAKON UPORABE:

- Uređaj isključiti i izvući mrežni utikač
- **Uređaj prije odlaganja ostaviti najmanje 30 minuta da se ohladi**
- Uređaj objesiti na prsten za vješanje M ② ili osloniti u uspravnom položaju na njegov stražnji dio; kod toga osigurati da se u blizini ne nalaze nikakvi zapaljivi materijali ili zapaljivi plinovi
- Uređaj ne spremi/ostavljati na otvorenom
- Uređaj spremi na suho mjesto nedostupno za djecu

## POSLUŽIVANJE

- Prekidač za uključivanje/isključivanje s 2 položaja temperature ④
  - ! **provjeriti da li se prekidač A nalazi u položaju "0", prije nego što se izvrši mrežni priključak**
  - uređaj uključiti prebacivanjem prekidača A u željeni položaj:
    - I = 50°C + protok zraka 250-500 lit./min
    - II = 50°C ... 650°C, protok zraka 250-500 lit./min
  - kod prve primjene uređaja može izlaziti malo dima; to je normalno i uskoro će prestati
  - uređaj isključiti prebacivanjem prekidača A u položaj "0"
- Podešavanje temperature ⑤
  - željenu temperaturu podesite u koracima od 10°C kratkim pritiskom na gumb B
  - pritiskom na gumb B neprekidno povećavate/smanjujete ciljnu temperaturu za po 10°C sve dok ne pustite gumb ili dok ne dosegnete maksimalnu ili minimalnu dopuštenu temperaturu
  - nakon određivanja ciljne temperature, na zaslonu D se prikazuje stvarna rastuća/padajuća temperatura, sve dok se ne postigne tražena temperatura (samo u položaju "II")
  - ciljna se temperatura sprema u memoriju uređaja, pa se uređaj prilikom svakog sljedećeg paljenja zagrijava do zadnje odabrane ciljne temperature
- Postavke strujanja zraka ⑥
  - željeno strujanje zraka podesite u koracima od 50 l/min, kratkim pritiskom na gumb C
  - na zaslonu D se prikazuje trenutno strujanje zraka u stupčastom grafikonu
- Opća primjena
  - odgovarajuću temperaturu odrediti probom na neprimjetnom (nevažnom) dijelu izratka; početi s nižim namještanjem temperature
  - temperatura će se smanjiti s povećanjem razmaka između otvora za zrak/sapnice i izratka
  - potrebna temperatura ovisi od obrađivanog materijala
- Stacionarna primjena ⑦
  - uređaj odložiti na njegov stražnji dio u uspravnom položaju
  - osigurati da površina bude čista i bez prašine; zagađen zrak može oštetiti elektromotor
  - struja zraka treba biti dalje od osobe koja rukuje pištoljem
  - osigurati kabel
  - ne dirati otvor za zrak/sapnicu

- osigurati da ništa ne padne u otvor za zrak/sapnicu
- uređaj oprezno držati jednom rukom, dok se drugom isključuje, i nakon toga ga ostaviti da se ohladi
- Primjena na teško dostupnim mjestima
  - ukloniti prsten E (2), čime će se metalni otvor za zrak osloboditi na čitavoj udaljenosti
  - ! **paziti na povećanu opasnost od požara i opeklina**
- Držanje i vođenje uređaja (8)
  - uređaj držati jednom rukom
  - otvore za strujanje zraka F (2) držite nepokriveno
- Standardni pribor (2)
  - sapnica za zaštitu stakla G (za skretanje zračne struje)
  - plosnata sapnica H (za širenje zračne struje)
  - reflektorska sapnica J (za skretanje zračne struje)
  - redukcijska sapnica K (za skretanje zračne struje)
- NAPOMENE:
  - svi slučajevi primjene (**osim skidanja stare boje sa prozora**) mogu se provesti bez pribora; odgovarajući pribor pojednostavljuje rad i vodi do kvalitativno znatno boljih rezultata
  - ovaj se uređaj može koristiti u kombinaciji s BOSCH-ovim dodacima i drugim uobičajenim dodacima za pištolje na vrući zrak
- Ugradnja/skidanje pribora
  - pribor jednostavno ugraditi na otvor za zrak L (2)
  - ukloniti dio pribora, tako što će se nakon ohlađivanja skinuti prema naprijed
  - ! **dio pribora ugraditi samo ako je otvor za zrak ohlađen, ako se prekidač nalazi u položaju "0" i ako je izvučen mrežni utikač**
- Prsten za vješanje M (9)
  - za jednostavno spremanje uređaja
  - ! **uređaj prije odlaganja ostaviti najmanje 30 minuta da se ohladi**
- Zaštita od preopterećenja
  - Štiti grijač od oštećenja, ako bi se uređaj preoptereto, bez da se ohladi određeno vrijeme
  - ako je temperatura previsoka grijač će se sam isključiti, dok će motor dalje raditi, proizvođači hladni zrak
  - kada je temperatura dovoljno pala (traje samo nekoliko sekundi), grijač će se automatski uključiti
  - ! **kad se alat isključuje nakon rada pri visokim postavkama za temperaturu te se ponovno uključuje nakon kratke stanke, moglo bi potrajati neko vrijeme dok grijači element dostigne željenu temperaturu**

## SAVJETI ZA PRIMJENU

- Skidanje boje/laka (10)
  - koristiti čisto, oštro strugalo
  - početi strugati tek kada boja omekša
  - eksperimentom odrediti koliko treba grijati kako bi se postigli optimalni rezultati
  - omekšanu boju odmah ostrugati jer će ona inače ponovno stvrdnuti
  - uređaj držati pod kutom od 30° do 40° prema izratku
  - boju i prljavštinu prethodno ukloniti sa strugala, kako bi se sprječilo njeno zapaljenje
  - po mogućnosti strugati uzduž godova na drvu
  - struju vrućeg zraka ne usmjeravati suviše dugo na istu površinu

- sve ostatke boje zbrinuti na sigurno mjesto
- radno područje nakon završenog rada temeljito očistiti
- ! **kod skidanja slojeva boje na starim građevinama postupati oprezno; vjerojatno je kod izgradnje korištena boja sa sadržajem olova koja je jako otrovna**
- ! **izlaganje već i manjoj količini olova može ozbiljno oštetiti mozak i živčani sustav; posebno su ugrožena mala djeca i još nerođena djeca u majčinoj utrobi**
- ! **skidanje boje na bazi olova prepustiti stručnjaku koji će raditi bez pomoći puhalo vrućeg zraka**
- JOŠ JEDAN PRIMJER PRIMJENE:
  - ★ skidanje (sintetskih) starih tapeta
- Skidanje boje/laka sa prozora (11)
  - kod rada blizu stakla **uvijek** koristiti sapnicu za zaštitu stakla G
  - boju ukloniti ručnim strugalom
  - ! **uređaj ne koristiti za skidanje boje sa prozora s metalnim okvirima; metal je vodič topline, te može doći do pucanja stakla**
- Skidanje naljepnica (koristiti plosnatu sapnicu H) (12)
  - mnoga ljepila kod zagrijavanja mekšaju, što omogućava zaljepljenim spojevima da popuste i uklanjanje suvišnog ljepila
  - ! **naljepnicu zagrijati na gornjoj strani**
  - ! **uvijek osigurati da se ne pregrije površina ispod naljepnice**
- OSTALI PRIMJERI PRIMJENE:
  - ★ skidanje podnih obloga od linoleuma i vinila
  - ★ skidanje tepiha od umjetnih vlakana
  - ★ skidanje furnira i letvica od furnira
  - ★ omekšavanje/taljenje katrana, kositra, bitumena, voska (koristiti plosnatu sapnicu H)
  - ★ voskovi (koristiti plosnatu sapnicu H) (13)
  - ★ skidanje smole
  - ★ popuštanje zardalih/čvrsto stegnutih metalnih vijaka, matica i svornjaka
  - ★ skidanje voska od svijeće (**ne pregrijati donju površinu**)
  - ★ popravak polomljenih svijeća/vraćanje u prvobitni oblik savijenih svijeća
- Skupljanje (14)
  - koristiti reflektorsku sapnicu J ili redukcijsku sapnicu K
  - cijev na skupljanje odabrati prema promjeru izratka
  - cijev na skupljanje jednoliko zagrijati
- JOŠ JEDAN PRIMJER PRIMJENE:
  - ★ pakiranje uz skupljanje
- Lemljenje vodovodnih cijevi (15)
  - Ovaj je uređaj najprikladniji za radove s mekim lemom (talište ispod 400 °C)
    - koristiti reflektorsku sapnicu J
    - obje spajane sekcije temeljito očistiti od lema
    - obje sekcije predgrijati i približiti žicu za lemljenje (**ne koristiti žicu za lemljenje na bazi olova**)
- Odmrzavanje zamrznutih vodovodnih cijevi (16)
  - koristiti reflektorsku sapnicu J
  - zamrznuto područje jednoliko odmrznuti
  - ! **vodovodne cijevi se često teško razlikuju od plinskih cijevi; zagrijavanje plinskih cijevi je izuzetno opasno – opasnost od eksplozije**

#### OSTALI PRIMJERI PRIMJENE:

★ odmrzavanje vodovodnih cijevi od PVC-a (**položaj I, max. 60°C**)

★ odmrzavanje zamrznutih brava na automobilima (**položaj I, max. 60°C**) (koristiti redukcijisku sapnicu K)

★ odmrzavanje škrinja (**ne s plastičnim kućištem**)

★ odmrzavanje zaleđenih stepenica na planinama

#### • Oblikovanje plastičnih cijevi

- koristiti reflektorsku sapnicu J

- cijev napuniti pijeskom i na oba kraja zatvoriti, kako bi se izbjeglo oštro pregibanje cijevi

- cijev jednoliko zagrijati, pomicanjem puhalas s jedne na drugu stranu

#### OSTALI PRIMJERI PRIMJENE:

★ oblikovanje svih plastičnih masa s nižom točkom tališta (polietilen, PVC, itd.)

★ oblikovanje svih plastičnih masa s višom točkom tališta (akrilno staklo, pleksiglas, itd.)

★ oblikovanje i savijanje tepiha izrađenih od umjetnih vlakana

★ oblikovanje i savijanje drva (izrada modela)

#### • Zavarivanje plastike

- šav za zavarivanje treba čist i odmašćen

- žicu za zavarivanje držati blizu šava za zavarivanje i dovesti toplinu dok žica za zavarivanje ne postane gnječava

- nakon što se zavareni šav napuni odmaknuti izvor topline

#### OSTALI PRIMJERI PRIMJENE:

★ popravak dasaka za surfanje, skija i ostalih sportskih rekvizita od plastike (koristi se plosnata sapnica H)

★ zavarivanje PVC-materijala

★ poravnanje mjehurića nakon stavljanja PVC-etiketa

★ priključak vrtnih crijeva (koristiti reflektorsku sapnicu J)

#### • Sušenje

! **sušiti samo s nižim namještanjem temperature (položaj 1 ili 2) i na većem razmaku između uređaja i izratka**

- sušenje boje, laka, gipsa, maltera i žbuke

- sušenje vlažnog drva prije punjenja

- brzo sušenje nanešenog materijala punila ili ljepliva

- sušenje građevnih fuga prije prskanja izolacijom i brtvenom masom

- sušenje fuga i pukotina kod izgradnje plovila

#### • Čišćenje/dezinfekcija

- dezinfekcija kaveza za uzgoj zečeva, golubova, itd. (**najprije ukloniti životinje**)

- odstranjivanje mravinjaka

- odstranjivanje crvotočina (**uređaj držati na određenom, razmaku od drva**)

- uništavanje korova

## ODRŽAVANJE / SERVISIRANJE

- Ovaj uređaj nije namijenjen profesionalnoj upotrebi
- Održavajte čistim uređaj i kabel (osobito otvore za hlađenje F ②)
- Za generalno čišćenje pištolja za vrući zrak i osobito otvora za zrak/sapnice ne koristiti zapaljive tekućine
- Ako bi uređaj unatoč brižljivih postupaka izrade i ispitivanja ipak prestao raditi, popravak treba prepustiti ovlaštenom servisu za SKIL električne alate

- uređaj treba **nerastavljeno** predati, zajedno s računom o kupnji u najbližu SKIL ugovornu servisnu radionicu (popise servisa, kao i oznake rezervnih dijelova uređaja možete naći na adresi [www.skil.com](http://www.skil.com))

## ZAŠTITA OKOLIŠA

- **Električne alate, pribor i ambalažu ne bacajte u kućni otpad** (samo za EU-države)
  - prema Europskoj direktivi 2012/19/EG o staroj električnoj i elektroničkoj opremi i njenoj primjeni u skladu sa nacionalnim zakonom, istrošeni električni alati moraju se sakupljati odvojeno i odvesti u posebne pogone za reciklažu
  - na to podsjeća simbol ⑰ kada se javi potreba za odlaganjem

## DEKLARACIJA O SUKLADNOSTI CE

- Izjavljujemo uz punu odgovornost da je ovaj proizvod opisan u "Tehnički podaci" usklađen sa slijedećim normama ili normativnim dokumentima: EN 60335, EN 61000, EN 55014, prema odredbama smjernica 2006/95/EG, 2004/108/EG, 2011/65/EU
- **Tehnička dokumentacija se može dobiti kod:** SKIL Europe BV (PT-SEU/ENG1), 4825 BD Breda, NL

Marijn van der Hoofden  
Operations & Engineering

Olaf Dijkgraaf  
Approval Manager

SKIL Europe BV, 4825 BD Breda, NL

03.09.2014

CE11

SRB

Fen za vrelli vazduh

8004

## UPUTSTVO

- Ovaj alat je namijenjen za uklanjanje boje, oblikovanje i lepljenje plastike i zagrevanje cevi za sakupljanje; alat je takođe pogodan za lemljenje i kalajisanje, popuštanje adhezivnih spojnica i odleđivanje cevi za vodu
- Ovaj alat nije namijenjen za profesionalnu upotrebu
- Pažljivo pročitajte i sačuvajte ova uputstva za rukovanje ③

## TEHNIČKI PODACI ①

### ELEMENTI ALATA ②

- A Prekidač za uključivanje/isključivanje
- B Dugmad za podešavanje temperature
- C Dugmad za podešavanje protoka vazduha
- D Displej (LCD)
- E Zaštitni prsten
- F Prorezi za hlađenje
- G Zaštitna mlaznica za staklo
- H Ravna mlaznica

- J Reflektujuća mlaznica
- K Redukciona mlaznica
- L Otvor za vazduh/mlaznica
- M Alka za vešanje

## SIGURNOST

### OPŠTA UPUTSTVA O SIGURNOSTI

**PAŽNJA!** Čitajte sva upozorenja i uputstva. Propusti kod pridržavanja upozorenja i uputstava mogu imati za posledicu električni udar, požar i/ili teške povrede. **Čuvajte sva upozorenja i uputstva za budućnost.** Pojam upotrebljen u upozorenjima "električni alat" odnosi se na električne alate sa radom na mreži (sa mrežnim kablom) i na električne alate sa radom na akumulator (bez mrežnog kabla).

#### 1) SIGURNOST NA RADNOM MESTU

- a) **Držite Vaše područje rada čisto i pospremljeno.** Nered ili neosvetljena radna područja mogu voditi nesrećama.
- b) **Ne radite sa aparatom u okolini ugroženoj od eksplozija u kojoj se nalaze zapaljive tečnosti, gasovi ili prašine.** Električni alati proizvode varnice, koje mogu zapaliti prašinu ili isparenja.
- c) **Za vreme korišćenja električnog alata držite podalje decu i druge osobe.** Kod skretanja možete izgubiti kontrolu nad aparatom.

#### 2) ELEKTRIČNA SIGURNOST

- a) **Utikač za priključak aparata mora odgovarati utičnoj kutiji.** Utikač se nesme nikako menjati. Ne upotrebljavajte adaptere utikača zajedno sa aparatima sa uzemljenom zaštitom. Ne promenjeni utikači i odgovarajuće utičnice smanjuju rizik od električnog udara.
- b) **Izbegavajte telesni kontakt sa uzemljenim gornjim površinama, kao što su cevi, grejanja, šporeti i rashladni ormani.** Postoji povećani rizik od električnog udara, ako je Vaše telo uzemljeno.
- c) **Držite aparat podalje od kiše ili vlage.** Prodiranje vode u električni aparat povećava rizik od električnog udara.
- d) **Ne koristite kabl da bi aparat nosili, obesili ili ga izvlačili iz utičnice.** Držite kabl dalje od vreline, ulja, oštrih ivica ili pokretnih delova aparata. Oštećeni ili zamršeni kablovi povećavaju rizik od električnog udara.
- e) **Ako sa nekim električnim alatom radite u prirodi, upotrebljavajte samo produžne kablove koji su dozvoljeni za spoljno područje.** Upotreba produžnog kabla pogodnog za spoljno područje smanjuje rizik od električnog udara.
- f) **Ako rad električnog alata ne može da se izbegne u vlažnoj okolini, koristite prekidač strujne zaštite pri kvaru.** Upotreba prekidača strujne zaštite pri kvaru smanjuje rizik od električnog udara.

#### 3) SIGURNOST OSOBA

- a) **Budite pažljivi, pazite na to, šta radite i idite razumno na posao sa električnim alatom.** Ne upotrebljavajte aparat, kada ste umorni ili pod uticajem droga, alkohola ili lekova. Momenat

nepažnje kod upotrebe aparata može voditi do ozbiljnih povreda.

- b) **Nosite ličnu zaštitnu opremu i uvek zaštitne naočare.** Nošenje lične zaštitne opreme, kao maske za prašinu, sigurnosne cipele koje ne klizaju, zaštitni šlem ili zaštitu za sluh, zavisno od vrste i upotrebe električnog alata, smanjujete rizik od povreda.
  - c) **Izbegavajte nenamerno puštanje u rad. Uverite se da je električni alat isključen, pre nego što ga priključite na struju i/ili na akumulator, uzmete ga ili nosite.** Ako prilikom nošenja električnog alata držite prst na prekidaču ili aparat uključen priključujete na struju, može ovo voditi nesrećama.
  - d) **Uklonite alate za podešavanje ili ključeve za zavrtnje, pre nego što uključite aparat.** Alat ili ključ koji se nalazi u delu aparata koji se okreće, može voditi povredama.
  - e) **Ne precevnjajte sebe. Pobrnite se da sigurno stojite i održavajte u svako doba ravnotežu.** Na taj način možete bolje kontrolisati aparat u neočekivanim situacijama.
  - f) **Nosite pogodno odelo. Ne nosite široko odelo ili nakit. Držite kosu, odelo i rukavice podalje od pokretnih delova.** Opušteno odelo, nakit ili duža kosa mogu biti zahvaćeni od rotirajućih delova.
  - g) **Ako se mogu montirati uredjaji za usisavanje prašine i uredjaji za hvatanje prašine, uverite se da li su priključeni i ispravno koriste.** Upotreba usisavanja prašine može smanjiti opasnosti od prašine.
- #### 4) BRIZLJIVO OPHODJENJE I KORIŠĆENJE ELEKTRIČNIH ALATA
- a) **Ne preopterećujte aparat. Upotrebljavajte za Vaš posao električni alat odredjen za to.** Sa odgovarajućim električnim alatom radićete bolje i sigurnije u navedenom području rada.
  - b) **Ne upotrebljavajte električni alat, čiji je prekidač u kvaru.** Električni alat koji više ne može da se uključi ili isključi je opasan i mora da se popravi.
  - c) **Izvućite utikač iz utičnice i/ili uklonite akumulator pre nego što preduzmete podešavanja na aparatu, promenu delova pribora ili ostavite aparat.** Ova mera opreza sprečava nenamern start aparata.
  - d) **Čuvajte nekorišćene električne alate izvan domašaja dece. Ne dopustite osobama da koriste aparat, koje ga ne poznaju ili nisu pročitale uva uputstva.** Električni alati su opasni, ako ih koriste neiskusne osobe.
  - e) **Održavajte aparat brižljivo. Kontrolišite, da li pokretni delovi aparata funkcionišu besprekorno i ne slepljuju, da li su delovi slomljeni ili tako oštećeni, da je funkcija aparata oštećena. Popravite oštećene delove pre upotrebe aparata.** Mnoge nesreće imaju svoj uzrok u loše održanim električnim alatom.
  - f) **Držite alate za sećenja oštre i čiste.** Brižljivo negovani alati za sećenje sa oštrim sečivima manje slepljuju i lakše se vode.
  - g) **Upotrebljavajte električne alate, pribor, alate koji se umeću itd. prema ovim uputstvima. Obratite pažnju pritom na uputstva za rad i posao koji treba izvesti.** Upotreba električnih alata za druge od propisanih namena može voditi opasnim situacijama.

## 5) SERVIS

- a) **Neka Vam Vaš aparat popravlja samo kvalifikovano stručno osoblje i samo sa originalnim rezervnim delovima.** Na taj način se obezbeđuje da oстане sačuvana sigurnost aparata.

## UPUTSTVA O SIGURNOSTI RADA SA FENOM ZA VRELI VAZDUH

### PRE UPOTREBE:

- Proverite funkcionisanje alata pre svake upotrebe i u slučaju nepravilnosti odnesite ga stručnom licu na popravku; nikada nemojte sami otvarati alat
- Proverite kabl i utikač pre svake upotrebe i u slučaju oštećenja, odnesite ga kvalifikovanim licu da ga zameni
- Produžni kabl koji koristite mora da bude savsime odmotan i siguran, sa kapacitetom od 16 A
- Povremeno proverite produžni kabl i u slučaju oštećenja ga zamenite
- Alat i njegov pribor koristite prema ovom uputstvu za upotrebu i na način koji je propisan za ovaj alat; upotreba alata za radnje koje nisu uobičajene za ovaj alat može dovesti do opasnosti
- Ovaj alat ne treba da koriste osobe ispod 16 godina
- Ovaj alat namenjen je za upotrebu osobama (uključujući i decu) sa smanjenim fizičkim, senzorskim ili mentalnim sposobnostima ili sa manjkom iskustva i znanja, a ako im osoba zadužena za njihovu bezbednost nije pružila odgovarajuća pomoć i uputstvo kako koristiti alat
- Uvek proverite da strujni napon odgovara naponu naznačenom na pločici na aparatu
- Proverite da li je alat isključen kada ga prikopčavate u utičnicu

### TOKOM UPOTREBE:

- **Pažljivo rukujte alatom; sprečite požar i opekotine**
  - ne dodirujte otvor/mlaznicu za vazduh i zagrejani predmet; postaju veoma vrela
  - ne približavajte otvor/mlaznicu previše predmetu na kojem treba da radite
  - ne usmeravajte mlaz vrelog vazduha predugo ka istoj površini
  - nikada ne gledajte u otvor/mlaznicu za vazduh
  - nosite zaštitne rukavice i zaštitne naočare
  - nikada nemojte usmeravati mlaz vrelog vazduha ka drugim osobama ili životinjama
  - nikada nemojte koristiti alat da sušite kosu
  - nikada nemojte ostavljati alat bez nadzora
  - nikada nemojte koristiti alat u blizini zapaljivih gasova ili zapaljivih materijala (**postoji rizik od eksplozije**)
  - kada radite sa plastikom, bojama, lakovima ili sličnim materijama, može doći do stvaranja zapaljivih i otrovnih gasova; prethodno se informišite o materijalima sa kojima ćete raditi
  - imajte na umu i da se toplota može proširiti i do zapaljivih materija koje se nalaze van vašeg vidokruga
  - iz razloga bezbednosti, pri ruci držite kofu sa vodom ili aparat za gašenje požara u slučaju da se neki od materijala zapali
- **Sprečite strujni udar**
  - nikada ništa nemojte gurati u otvor/mlaznicu za vazduh
  - izbegavajte kontakt telom sa uzemljenim površinama (npr. cevima, štednjacima, lancima, frižiderima)

- osigurajte da se alat ne pokvasi
- ne koristite alat na vlažnim mestima
- kada alat koristite napolju, povežite alat preko sigurnosnog prekidača struje uzemljenja sa strujom okidanja od najviše 30 mA i koristite produžni kabl koji je namenjen za spoljnu upotrebu i opremljen je vodootpornom utičnicom za spregu
- **Rukujte pažljivo kablom**
  - kabl uvek mora biti udaljen od mlaza vrelog vazduha i otvora/mlaznice za vazduh
  - držite kabl dalje od toplote, ulja i oštih ivica
  - nemojte nositi alat držeći ga za kabl i nemojte cimati kabl da biste ga isključili iz utičnice
  - nemojte kačiti alat za kabl
- Alat nikada nemojte koristiti u kombinaciji sa hemijskim rastvaračima
- Radni prostor mora biti adekvatno provetren
- Održavajte radni prostor čistim i dobro osvetljenim
- Nemojte deci dozvoljavati pristup radnom prostoru
- Vodite računa da se deca ne igraju sa alatom
- Naleti struje dovode do kratkotrajnih padova napona; pod nepovoljnim uslovima napajanja može da bude pogođena druga oprema (ako je impedanca napajanja el. energijom manja od 0, 127 + j0,079 oma, ne postoji verovatnoća da će doći do poremećaja); ako vam je potrebno dodatno objašnjenje, možete se obratiti vašem lokalnom organu za snabdevanje el. energijom
- Budite na oprezu; vodite računa o tome što radite, budite razumni i ne rukujte alatom ako ste umorni
- Zauzmite bezbedno odstojanje; nemojte se istezati, naročito na merdevinama ili posteljima
- Proverite da je alat isključen pre nego što ga odložite
- U slučaju da dođe do električnog ili mehaničkog kvara, odmah isključite alat i iskopčajte ga iz utičnice

### POSLE UPOTREBE:

- Isključite alat i iskopčajte ga iz utičnice
- **Ostavite alat najmanje 30 minuta da se ohladi pre nego što ga vratite na mesto**
- Okačite alat za alku M ② ili ga postavite na zadnju stranu u uspravni položaj; tom prilikom proverite da se u blizini ne nalaze nikakvi zapaljivi materijali ili zapaljivi gasovi
- Nikada nemojte čuvajte/ostavljati alat napolju
- Čuvajte alat na svom i zaključanom mestu, van domašaja dece

## UPUTSTVO ZA KORIŠĆENJE

- Prekidač sa 2 podešavanja temperature ④
  - ! **proverite da li je prekidač A u položaju "0" pre ukopčavanja**
  - uključite alat stavljanjem prekidača A u željeni položaj:
    - I = 50°C + mlaz vazduha 250-500 litara u minuti
    - II = 50°C ... 650°C, mlaz vazduha 250-500 litara u minuti
  - prilikom korišćenja alata prvi put, može doći do dima; ovo je normalna pojava i ubrzo će prestati
  - isključite alat stavljanjem prekidača A u položaj "0"
- Podešavanje temperature ⑤
  - podesite ciljnu temperaturu u koracima od 10°C tako što ćete kratko pritisnuti B dugmiće
  - uzastopnim pritiskanjem dugmića B ciljna temperatura se kontinualno povećava/smanjuje sve dok se dugmići

- ne otpuste ili se ne dostigne minimalna/maksimalna temperatura
- kada se podesi ciljna temperatura, displej D prikazuje aktuelnu rastuću/opadajuću temperaturu sve dok se ne postigne željena temperatura (samo u položaju "II")
  - ciljna temperatura će biti upamćena u memoriji alata, tako da će se svaki put po uključivanju alat zagrejati do poslednje izabrane ciljne temperature
- Postavka protoka vazduha ⑥
    - podesite željeni protok vazduha u koracima od 50 l/min kratkim pritiskom na dugmad C
    - displej D prikazuje stvarne postavke protoka vazduha u kolonskom grafikonu
  - Opšta upotreba
    - podesite pravu temperaturu tako što ćete izvršiti test na nevidljivom delu radne površine; počnite sa podešavanjem najniže temperature
    - temperatura opada prilikom udaljavanja otvora/mlaznice za vazduh od predmeta na kojem radite
    - potrebna temperatura zavisi od materijala na kojem ćete raditi
  - Stacionarna upotreba ⑦
    - postavite alat na zadnju stranu u uspravni položaj
    - proverite da li je površina čista i bez prašine; zagađeni vazduh oštećuje motor
    - proverite da vazdušni mlaz nije uperen u vas
    - osigurajte kabl kako biste sprečili obaranje alata
    - ne dodirujte otvor/mlaznicu za vazduh
    - osigurajte da ništa ne upadne u otvor/mlaznicu za vazduh
    - pažljivo držite alat jednom rukom dok ga drugom isključujete i zatim ga ostavite da se ohladi
  - Upotreba na teško dostupnim mestima
    - uklonite prsten E ②, i na taj način skinite metalni otvor za vazduh kako bi mlaz dalje dopirao
- ! vodite računa o većem riziku od požara i opekotina**
- Držanje i upravljanje alata ⑧
    - držite alat jednom rukom
    - prerezi za hlađenje F ② moraju da budu otvoreni
  - Standardni pribor ②
    - zaštitna mlaznica za staklo G (za usmeravanje vazdušnog mlaza)
    - ravna mlaznica H (za proširivanje vazdušnog mlaza)
    - reflektujuća mlaznica J (za reflektovanje vazdušnog mlaza)
    - redukciona mlaznica K (za koncentrisanje vazdušnog mlaza)
- NAPOMENE:**
- svaki primer upotrebe (**osim uklanjanja boje u blizini stakla**) se može izvesti bez pribora; međutim upotreba odgovarajućeg pribora olakšava rad i značajno poboljšava kvalitet rezultata
  - ovaj alat se može koristiti i u kombinaciji sa BOSCH-ovim i drugim uobičajeno dostupnim priborom za fenove za vreli vazduh
- Stavljanje/skidanje pribora
    - jednostavno naglavite deo pribora na otvor L ②
    - skinite deo pribora povlačenjem unapred pošto se ohladi

- ! **pribor postavite samo kada je otvor za vazduh hladan, kada je prekidač u položaju "0" i kada je utikač iskopčan**
- Alka za vešanje M ⑨
  - za lako čuvanje alata
- ! **ostavite alat najmanje 30 minuta da se ohladi pre nego što ga vratite na mesto**
- Stalna kontrola toplote (zaštita od preopterećenja)
 

Štiti grejač od oštećenja u slučaju preopterećenja alata, a da ne morate da ga isključujete i/ili ostavite da se hladi određeno vreme

  - kada temperatura postane previsoka, grejač se sam isključuje, dok motor nastavlja sa radom proizvodeći hladan vazduh
  - kada se temperatura spusti na dovoljan nivo (što traje nekoliko sekundi), grejač će se automatski uključiti
- ! **kada je alat isključen posle rada na podešavanju za visoke temperature, a zatim ponovo uključen posle kratke pauze, grejnom elementu može biti potrebno vreme da dostigne željenu temperaturu**

## SAVETI ZA PRIMENU

- Uklanjanje boje/laka ⑩
    - koristite čisti, oštar strugač
    - kada boja omekša, stružite čvrsto
    - probajte da utvrdite koliko dugo je potrebno da primenujete toplotu za najbolje rezultate
    - omekšalu boju odmah uklonite struganjem, inače će se ponovo stvrdnuti
    - alat držite pod uglom od 30° do 40° u odnosu na predmet na kojem radite
    - boju i otpatke odmah uklonite sa strugača da se ne bi upalili
    - gde god je moguće, stružite hrapavim delom drveta
    - ne usmeravajte mlaz vreloug vazduha predugo ka istoj površini
    - pažljivo uklonite sve ostatke boje
    - temeljno očistite radnu površinu pošto završite sa radom
  - ! **budite obazrivi prilikom skidanja slojeva boja u starijim zgradama; moguće je da su ranije korišćene boje sa olovom koje je veoma otrovno**
  - ! **izlaganje čak i najmanjoj količini olova može prouzrokovati ozbiljna oštećenja mozga i nervnog sistema; mala deca i novorođenčad su naročito osetljiva**
  - ! **neka olovnu boju ukloni stručno lice bez korišćenja fena sa vrelim vazduhom**
- DRUGI PRIMERI UPOTREBE:**
- ★ uklanjanje (sintetičkih) zidnih obloga
  - Uklanjanje boje/laka u blizini stakla ⑪
    - **uvek** koristite zaštitnu mlaznicu za staklo G kada radite u blizini stakla
    - uklonite boju ručnim strugačem
  - ! **nemojte koristiti alat za uklanjanje boje na prozorima sa metalnim okvirom; metal provodi toplotu što može dovesti do pucanja stakla**
  - Uklanjanje nalepnica (koristite ravnu mlaznicu H) ⑫
    - mnoge nalepnice omekšaju prilikom zagrevanja i na taj način omogućavaju da se lepljive veze odvoje i višak lepka ukloni
  - ! **zagrejte nalepnicu sa gornje strane**
  - ! **uvek vodite računa da ne pregrejte podlogu**

## DRUGI PRIMERI UPOTREBE:

- ★ uklanjanje linoleuma i vinilskih podnih obloga
- ★ uklanjanje pokrivki izrađenih od sintetičkih vlakana
- ★ uklanjanje furnira/lepljenje furnir-traka
- ★ omekšavanje/topljenje katrana, kalaja, bitumena, smole (koristite ravnu mlaznicu H)
- ★ voskiranje (skija, nameštaja) (koristite ravnu mlaznicu H) <sup>(13)</sup>
- ★ uklanjanje smole
- ★ labavljenje zardalih/previše zategnutih metalnih šrafova, matica i zavrtki
- ★ uklanjanje voska od sveće (**nemojte pregrežati podlogu**)
- ★ spajanje polomljenih sveća/ispravljanje sveća u prvobitni oblik

## • Sužavanje <sup>(14)</sup>

- koristite reflektujuću mlaznicu J ili redukcionu mlaznicu K
- izaberite cev za sužavanje sa prečnikom koji odgovara predmetu na kojem radite
- ravnomerno zagrevajte cev za sužavanje

## DRUGI PRIMERI UPOTREBE:

- ★ umotavanje prijanjanjem

## • Lemljenje vodnih cevi <sup>(15)</sup>

- Ovaj alat je najpogodniji za rad sa mekim lemjenjem (tačka topljenja ispod 400°)
- koristite reflektujuću mlaznicu J
- temeljno očistite oba spojna mesta pre nego što pristupite lemjenju
- prethodno zagrejte oba dela i nanesite kalaj (nemojte koristiti kalaj na bazi olova)

## • Otapanje zaleđenih cevi za vodu <sup>(16)</sup>

- koristite reflektujuću mlaznicu J
- ravnomerno zagrejte zaleđeni deo

**! često je teško razlikovati cevi za vodu od cevi za gas; zagrevanje cevi za gas je izuzetno opasno – postoji rizik od eksplozije**

## DRUGI PRIMERI UPOTREBE:

- ★ otapanje cevi za vodu koje su izrađene od PVC-a (**položaj I, maks. 60°C**)
- ★ otapanje zaleđenih brava na kolima (**položaj I, maks. 60°C**) (koristite redukcionu mlaznicu K)
- ★ otapanje zamrzivača (**nemojte oštetiti plastično kućište**)
- ★ odleđivanje zaleđenih stepenika i trotoara
- Uobličavanje plastičnih cevi
- koristite reflektujuću mlaznicu J
- napunite cev peskom i zapečatite je na oba kraja da biste izbegli krivljenje cevi
- ravnomerno zagrejte cev tako što ćete je pomerati od jedne strane ka drugoj

## DRUGI PRIMERI UPOTREBE:

- ★ uobličavanje plastike sa niskom tačkom topljenja (polietilen, PVC itd.)
- ★ uobličavanje plastike sa visokom tačkom topljenja (akrilno staklo, pleksiglas itd.)
- ★ uobličavanje pokrivki izrađenih od sintetičkih vlakana
- ★ uobličavanje i savijanje drveta (modelarstvo)

- Lepljenje plastike
- šav koji se vari mora biti očišćen i ne sme biti mastan
- držite štapić za varenje blizu šava za varenje i primenite toplotu dok štapić za varenje ne postane lepljiv
- uklonite izvor toplote kada se šav za lemljenje popuni

## DRUGI PRIMERI UPOTREBE:

- ★ popravljanje dasaka za surfovanje, skija i ostalih sintetičkih sportskih proizvoda (koristite raznu mlaznicu H)
- ★ varenje PVC materijala
- ★ poravnanje izbočina posle nalepljivanja PVC etiketa
- ★ spajanje baštenskih creva (koristite reflektujuću mlaznicu J)

## • Sušenje

**! alat koristite za sušenje na niskoj ili srednjoj temperaturi (položaj 1 ili 2) i sa uvećane razdaljine između alata i predmeta na kojem radite**

- sušenje boje, laka, gipsa, maltera i gipsanog maltera
- sušenje vlažne drvene građe pre popunjavanja
- brzo sušenje deblje nanesenog punila ili lepila
- sušenje spojeva u zgradi pre nanošenja izolacije ili gita
- sušenje spojeva i pukotina u brodogradnji
- Čišćenje/dezinfekcija
- dezinfekcija zečara, golubarnika itd. (**prethodno uklonite ljubimce**)
- borba protiv kolonije mrava
- borba protiv crvotočine i napasnih insekata (**držite alat na adekvatnoj razdaljini od drveta**)
- uklanjanje korova

## ODRŽAVANJE / SERVIS

- Ovaj alat nije namenjen za profesionalnu upotrebu
- Alat i kabl uvek održavajte čistim (posebno otvore za hlađenje F <sup>(2)</sup>)
- Nikada nemojte koristiti lako zapaljive tečnosti za čišćenje fena za vreo vazduh uopšte, a naročito ne za čišćenje otvora/mlaznice
- Ako bi alat i pored brižljivog postupka izrade i kontrole nekada otkazao, popravku mora vršiti neki autorizovani servis za SKIL-električne alate
- pošaljite **nerastavljeni** alat zajedno sa potvrdom o kupovini vašem nabavljaču ili najbližem SKIL servisu (adrese i oznake rezervnih delova možete naći na [www.skil.com](http://www.skil.com))

## ZAŠTITA OKOLINE

- **Električne alate, pribora i ambalaže ne odlažite u kućne otpatke** (samo za EU-države)
- prema Evropskoj direktivi 2012/19/EG o staroj električnoj i elektronskoj opremi i njenoj upotrebi u skladu sa nacionalnim pravom, električni alati koji su istrošeni moraju biti sakupljeni odvojeno i dostavljeni pogonu za reciklažu
- simbol <sup>(17)</sup> će vas podsetiti na to

# DEKLARACIJA O USKLAĐENOSTI CE

- Izjavljujemo na vlastitu odgovornost da je pod "Tehnički podaci" opisani proizvod usaglašen sa sledećim standardima ili normativnim aktima: EN 60335, EN 61000, EN 55014 prema odredbama smernica 2006/95/EG, 2004/108/EG, 2011/65/EU
- Tehnička dokumentacija kod:** SKIL Europe BV (PT-SEU/ENG1), 4825 BD Breda, NL

Marijn van der Hoofden  
Operations & Engineering

Olaf Dijkgraaf  
Approval Manager

SKIL Europe BV, 4825 BD Breda, NL

03.09.2014

CE11

SLO

Grelnik zraka

8004

## UVOD

- Orodje je namenjeno za odstranjevanje barve, za oblikovanje in varjenje plastike, za gretje toplotnih krčnih cevk; orodje je primerno tudi za spajkanje in cinjenje, za popuščanje lepljivih stikov in odmrzovanje vodovodnih cevi
- Orodje ni namenjeno profesionalni uporabi
- Preberite in shranite navodila za uporabo ③

## TEHNIČNI PODATKI ①

### DELI ORODJA ②

- A Stikalo vklopi/izklopi
- B Gumbi za nastavev temperature
- C Gumbi za nastavev pretoka zraka
- D Zaslon (LCD)
- E Varnostni obroč
- F Ventilacijske reže
- G Nastavek za zaščito stekla
- H Ploščat nastavek
- J Odbojni nastavek
- K Redukcijski nastavek
- L Zračna odprtina/nastavek
- M Obroček za obešanje

## VARNOST

### SPLOŠNA VARNOSTNA NAVODILA

**⚠ OPOZORILO! Preberite vsa opozorila in napotila.** Napake zaradi neupoštevanja spodaj navedenih opozoril in napotil lahko povzročijo električni udar, požar in/ali težke telesne poškodbe. **Vsa opozorila in napotila shranite, ker jih boste v prihodnje še potrebovali.** Pojem "električno orodje", ki se pojavlja v nadaljnjem besedilu, se nanaša na električna orodja z električnim pogonom (z

električnim kablom) in na akumulatorska električna orodja (brez električnega kabla).

### 1) VARNOST NA DELOVNEM MESTU

- Poskrbite, da bo Vaše delovno mesto vedno čisto in urejeno.** Nered ali neosvetljena delovna področja lahko povzročijo nezgode.
- Prosimo, da orodja ne uporabljate v okolju, kjer je nevarnost za eksplozije in v katerem se nahajajo gorljive tekočine, plini in prah.** Električna orodja povzročajo iskrenje, zato se gorljivi prah ali pare lahko vnamejo.
- Ne dovolite otrokom in drugim osebam, da bi se medtem ko delate, približali električnemu orodju.** Druge osebe lahko odvrnejo Vašo pozornost drugam in izgubili boste nadzor nad orodje.

### 2) ELEKTRIČNA VARNOST

- Vtič mora ustrezati električni vtičnici in ga pod nobenim pogojem ne smete spreminjati. Uporaba adapterskih vtičev v kombinaciji z ozemljena orodja ni dovoljena.** Originalni oziroma nespremenjeni vtiči in ustrezne vtičnice zmanjšujejo tveganje električnega udara.
- Izogibajte se telesnemu stiku z ozemljenimi površinami, na primer s cevmi, grelci, štedilniki in hladilniki.** Če je ozemljeno tudi vaše telo, obstaja povečano tveganje električnega udara.
- Zavarujte orodje pred dežjem ali vlago.** Vdor vode v električno orodje povečuje tveganje električnega udara.
- Električnega kabla ne uporabljajte za prenašanje ali obešanje orodja in ne vlecite vtič iz vtičnice tako, da vlečete za kabel. Zavarujte kabel pred vročino, oljem, ostrimi robovi in premikajočimi se deli orodja.** Poškodovani ali prepleteni kabli povečujejo tveganje električnega udara.
- Če z električnim orodjem delate na prostem, uporabljajte izključno kabelski podaljšek, ki je atestiran za delo na prostem.** Uporaba kabelskega podaljška, primerne za delo na prostem, zmanjšuje tveganje električnega udara.
- Če je uporaba električnega orodja v vlažnem okolju neizogibna, uporabljajte prekinjevalec električnega tokokroga.** Prekinjevalca električnega tokokroga zmanjšuje tveganje električnega udara.

### 3) OSEBNA VARNOST

- Bitite zbrani in pazite, kaj delate. Dela z električnim orodjem se lotite razumno. Nikoli ne uporabljajte orodja, če ste utrujeni in če ste pod vplivom mamil, alkohola ali zdravil.** En sam trenutek nepazljivosti pri uporabi orodja ima lahko za posledico resne telesne poškodbe.
- Uporabljajte osebna zaščitna sredstva in vedno nosite zaščitna očala.** Uporaba osebnih zaščitnih sredstev, na primer maske proti prahu, nedersečih zaščitnih čevljev, zaščitne čelade in glušnikov, odvisno od vrste in uporabe električnega orodja, zmanjšuje tveganje telesnih poškodb.
- Izogibajte se nenamernemu zagonu. Pred priključitvijo električnega orodja na električno omrežje in/ali na akumulator in pred dviganjem ali nošenjem se prepričajte, če je električno orodje izklopljeno.** Prenašanje naprave s prstom na stikalu ali



priključitev vklopljenega električnega orodja na električno omrežje je lahko vzrok za nezgodo.

- d) **Pred vklopom orodja odstranite z nje nastavitvena orodja ali vijačni ključ.** Orodje ali ključ, ki se nahajata na vrtečem se delu električnega orodja, lahko povzročita nezgodo.
- e) **Ne preценjujete se in poskrbite za varno stojišče in stalno ravnotežje.** Tako boste lahko v nepričakovani situaciji bolje obvladali orodje.
- f) **Nosite primerno obleko, ki naj ne bo preohlapna. Ne nosite nakita. Lasje, oblačilo in rokavice naj se ne približujejo premikajočim se delom orodja.** Premikajoči se deli orodja lahko zgrabijo ohlapno obleko, nakit, ali dolge lase.
- g) **Če je možno na orodje namestiti priprave za odsesavanje in prestrezanje prahu, prepričajte se, ali so le-te priključene in, če jih pravilno uporabljate.** Uporaba priprave za odsesavanje prahu zmanjšuje zdravstveno ogroženost zaradi prahu.

#### 4) RAVNANJE IN NEGA ROČNEGA ORODJA

- a) **Ne prebremenjujete orodja. Za določeno delo uporabljate električno orodje, ki je predvideno za opravljanje tega dela.** Z ustreznim električnim orodjem boste delo opravili bolje in varneje, ker je bilo v ta namen tudi konstruirano.
- b) **Električno orodje, ki ima pokvarjeno stikalo, ne uporabljajte.** Električno orodje, ki ga ni možno vklopiti ali izklopiti, je nevarno in ga je potrebno popraviti.
- c) **Pred nastavljanjem naprave, zamenjavo delov pribora ali odlaganjem naprave izvlecite vtiaka iz električne vtičnice in/ali odstranite akumulator.** Ta previdnostni ukrep onemogoča nepredviden zagon orodja.
- d) **Kadar orodja ne uporabljate ga shranjujete izven dosega otrok. Osebam, ki orodja ne poznajo ali niso prebrale teh navodil, orodja ne dovolite uporabljati.** Električna orodja so nevarna, če jih uporabljajo neizkušene osebe.
- e) **Skrbno negujte orodje. Preverite, če premikajoči se deli orodja delujejo brezhibno in če se ne zatikajo, oziroma, če kakšen del orodja ni zlomljen ali poškodovan do te mere, da bi oviral njegovo delovanje. Pred nadaljnjo uporabo je potrebno poškodovani del popraviti.** Vzrok za številne nezgode so ravno slabo vzdrževana električna orodja.
- f) **Rezalna orodja naj bodo ostra in čista.** Skrbno negovana rezalna orodja z ostrimi rezili se manj zatikajo in so bolj vodljiva.
- g) **Električna orodja, pribor, nastavke in podobno uporabljajte v skladu s temi navodili. Pri tem upoštevajte delovne pogoje in vrsto dela, ki ga nameravate opraviti.** Zaradi uporabe električnega orodja v druge, nepredvidene namene, lahko nastanejo nevarne situacije.

#### 5) SERVIS

- a) **Popravilo orodja lahko opravi samo usposobljena strokovna oseba in to izključno z originalnimi nadomestnimi deli.** Le tako bo ohranjena nadaljnja varnost orodja.

## VARNOSTNA NAVODILA ZA UPORABO GRELNIKA ZRAKA

### PRED UPORABO:

- Pred vsako uporabo preverite delovanje orodja, v primeru okvare ga oddajte v popravilo strokovnjaku; nikoli ne odpirajte stroja sami
- Pred vsako uporabo pregledjte priključno vrvico in vtiakač, v primeru poškodb naj vrvico in vtiakač zamenja strokovnjak
- Uporabljajte povsem iztegnjene in varne električne podaljške, z jakostjo 16 amperov
- Periodično preverjajte podaljšek kabla in ga v primeru poškodbe zamenjajte
- Uporabljajte orodje in pribor ustrezno z navodili za uporabo in glede na namen uporabe orodja; uporaba orodja za dela, ki so različna od normalne uporabe lahko pripeljejo do nevarnih situacij
- Orodja naj ne bi uporabljale osebe mlajše od 16 let
- To orodje ni namenjeno uporabi s strani oseb (vključujoč tudi otroke) z zmanjšanimi fizičnimi, senzoričnimi ali mentalnimi sposobnostmi, oz. s premalo izkušenj ali znanja, edino, če slednji niso bili primerno usposobljeni iz inštruirani za uporabo tovrstnega orodja, s strani osebe, ki je odgovorna za njihovo varnost
- Vedno preverite, če je napetost omrežja enaka napetosti napisani na tablici stroja
- Prepričajte se, če je stikalo izklopljeno, preden priključite priključni kabel

### MED UPORABO:

- **S strojem ravnajte pazljivo; preprečite ogenj in opeklino**
  - ne dotikajte se zračnega izpuha/nastavka in segrelih predmetov; ti postanejo zelo vroči
  - ne držite zračnega izpuha/nastavka preblizu predmeta, ki ga segrevate
  - nikoli ne usmerjajte vročega zračnega toka predolgo na isto površino
  - nikoli ne glejte v zračni izpuh/nastavek
  - nosite zaščitne rokavice in uporabljajte zaščitna očala
  - ne usmerjajte vročega zračnega toka v ljudi in živali
  - nikoli ne uporabljajte orodja za sušenje las
  - nikoli ne pustite orodja brez nadzora
  - nikoli ne uporabljajte orodja v bližini vnetljivih plinov ali gorljivih materialov (**nevarnost eksplozije**)
  - v primeru dela s plastiko, barvo, lakom in podobnimi materiali se lahko pojavljajo vnetljivi in strupeni plini; pozanimajte se o materialih s katerimi boste delali
  - upoštevajte, da se utegne vročina prenašati na gorljive materiale, ki so izven vašega vidnega polja
  - če kakšen material povzroči ogenj, imejte zaradi varnosti vedno pri roki vedro vode ali ročni gasilni aparat
- **Preprečevanje električnih stikov**
  - nikoli ničesar ne porivajte/suvajte z zračnim izpuhom/nastavkom
  - izogibajte se telesnih stikov z ozemljenimi površinami (npr. cevi, radiatorji, hladilniki, štedilniki)
  - zagotovite, da orodje ne bo mokro
  - ne uporabljajte orodja v vlažnih prostorih
  - pri zunanji uporabi priključite orodje preko tokovnega zaščitnega stikala (FID) z občutljivostjo toka največ 30 mA; vedno uporabljajte podaljšek, ki je namenjen za zunanjo uporabo in z zaščito proti vlagi

## • S priključno vrstico ravnajte pazljivo

- vedno držite priključno vrstico stran od vročega zračnega toka in zraka izpuha/nastavka
- držite priključno vrstico stran od vročine, olja in ostrih robov
- ne prenašajte orodja z držanjem za priključno vrstico in ne povlecite vtikača iz vtičnice s potegom za priključno vrstico
- ne obešajte orodja na priključno vrstico
- Nikoli ne uporabljajte orodja pri delu s kemičnimi topili
- Poskrbite, da je delovno področje primerno zračeno
- Delovno področje naj bo čisto
- Otroci naj se odstranijo od delovnega področja
- Zagotovite, da se otroci ne bodo igrali z orodjem
- Navalni tokovi povzročajo kratkotrajne padce napetosti; v slabih pogojih oskrbe z električno energijo se lahko poškoduje ostala oprema (če je impedanca oskrbe z električno energijo nižja od 0,127 + j0,079 ohma, do motenj verjetno ne bo prišlo); če potrebujete nadaljnja pojasnila, se lahko obrnete na vašega lokalnega dobavitelja električne energije
- Bodite zbrani; glejte kako delate, delajte razumno in ne uporabljajte orodja, če ste utrujeni
- Zavzemite varen položaj; ne pojdite predaleč, posebno na lestvah in gradbenih odrih
- Zagotovite, da je orodje izključeno preden ga odložite
- Če pride do električnih ali mehanskih okvar, takoj izklopite stroj in izvlecite vtičnik iz vtičnice

## PO UPORABI:

- Izklopite orodje in izvlecite vtičnik
- **Pred shranjevanjem orodje ohladite (vsaj 30 min)**
- Obesite orodje za obroč M ② ali ga postavite na zadnjo stran v navpični položaj; v primeru, da boste naredili tako, se prepričajte, da ni v bližini gorljivih snovi ali vnetljivih plinov
- Nikoli ne shranjujte/pustite na prostem
- Shranjujte orodje na suhem mestu in izven dosega otrok

## UPORABA

- Vklplovo/izklopno stikalo s 2 temperaturnimi nastavitvami ④

### ! preverite, če je stikalo A v položaju "0" pred vklopom

- vklopite stroj s potiskom stikala A v zeleni položaj:  
I = 50°C + pretok zraka 250-500 l/min  
II = 50°C ... 650°C, pretok zraka 250-500 l/min
- ob prvi uporabi se lahko pojavi v izpuhu dim, kar je normalno in bo hitro izginil
- izklopite stroj s potiskom stikala A v položaj "0"
- Nastavljanje temperature ⑤
  - želeno ciljno temperaturo nastavite v stopnjah po 10°C s kratkim pritiskom gumbov B
  - s pritiskom na gumba B se ciljna temperatura povečuje/zmanjšuje, dokler gumba ne spustite ali dokler ni dosežena minimalna/maksimalna temperatura
  - ko je ciljna temperatura nastavljena, prikazovalnik D kaže dejansko naraščanje/padanje temperature, dokler ni dosežena zelena temperatura (samo v položaju "II")

- ciljna temperatura se shrani v spomin grelnika zraka, tako da se grelnik vsakič, ko ga vključite, segreje na zadnjo izbrano ciljno temperaturo

## • Nastavitev pretoka zraka ⑥

- želeni pretok zraka nastavite v stopnjah po 50 l/min s kratkim pritiskom gumbov C
- prikazovalnik D kaže dejansko nastavitev pretoka zraka v stolpcnem diagramu

## • Splošna uporaba

- določite pravo temperaturo s preverjanjem na neopaznem delu obdelovanca; pričnite z nizko temperaturno nastavitvijo
- temperatura pada glede na razdaljo med zračno odprtino/nastavkom in narašča na obdelovancu
- potrebna temperatura je odvisna od materiala, ki ga obdelujemo

## • Stacionarna uporaba ⑦

- položite orodje navzdol na njegovo zadnjo stran v navpični položaj
- prepričajte se, da je površina čista in brez prahu; onesnažen zrak poškoduje motor
- prepričajte se, da je zračni tok usmerjen stran od vas
- zaščitite priključno vrstico, da preprečite vlečenje stroja navzdol
- ne dotikajte se zračne odprtine/nastavka
- prepričajte se, da ne bo kapljalo v zračno odprtino/nastavek
- pazljivo držite orodje z eno roko medtem, ko ga z drugo izklapljate in nato omogočite, da se temperatura stroja zniža

## • Uporaba na težko dostopnih mestih

- odstranite obroč E ②, s tem omogočite kovinskemu izpuhu bližji dostop obdelovancu

### ! bodite pozorni na povečanje nevarnosti ognja in vžiga

## • Držanje in vodenje orodja ⑧

- držite orodje z eno roko
- ventilacijske reže F ② morajo biti nepokrite

## • Standardni pribor ②

- nastavek za zaščito stekla G (preprečuje direktni dotok zraka na steklo)
- ploščat nastavek H (za razširitev zračnega toka)
- odbojni nastavek J (za odboj zračnega toka - objem obdelovanca)
- redukcijski nastavek K (za koncentracijo zračnega toka v ožji izpuh)

## OPOMBE:

- vsi primeri uporabe (**razen odstranjevanje barve ob steklu**) se lahko izvedejo brez dodatnega pribora; uporaba primernega pribora delo poenostavi in izboljša rezultate dela
- to orodje je mogoče uporabljati tudi v kombinaciji s priborom BOSCH in drugim splošno dostopnim priborom za pištole na vroč zrak
- Montaža in odstranjevanje pribora
  - preprosto prilagodite pribor na zračno odprtino L ②
  - odstranite pribor s potegom s sprednje strani, ko se ta ohladi

### ! montirajte pribor vedno, ko je zračna odprtina hladna, pri stikalu v položaju "0" in, ko je vtičnik izključen

- Obroček za obešanje M <sup>9</sup>
  - za enostavno shranjevanje orodja
  - ! **pred shranjevanjem orodje ohladite (vsaj 30 min)**
- Nadzor konstantne temperature (zaščita pred preobremenitvijo)
 

Ščiti grelni element pred poškodbami, če je orodje preobremenjeno brez prekinitve in/ali če se temperatura v določenem času zniža

  - če se temperatura preveč dvigne, se grelni element samodejno izključi medtem motor normalno teče in piha hladen zrak
  - ko temperatura pade (tudi samo za nekaj sekund), bo grelni element vključen avtomatično- ! **ko orodje izklopote po delu z nastavitvijo za visoko temperaturo in ga po kratkem času znova vklopote, lahko traja nekaj časa, preden grelnik doseže zeleno temperaturo**

## UPORABNI NASVETI

- Odstranjevanje barve/laka <sup>10</sup>
  - uporabite čisto in ostro strgalo
  - ko se barva zmehta, čvrsto strgajte
  - poizkusite ugotoviti dolžino časa temperature, ki je potrebna za optimalne rezultate
  - strgajte barvo takoj ko se zmehta, sicer bo postala ponovno trda
  - orodje držite pod kotom 30° do 40° glede na obdelovanec
  - barvo in ostanke odstranite s strgala takoj, da ne pride do vžiga
  - strgajte z lesenim predmetom kjerkoli je mogoče
  - nikoli ne usmerjajte vročega zračnega toka predolgo na isto površino
  - varno odstranite vse ostanke barve
  - po končanem delu temeljito očistite delovno področje
  - ! **bodite previdni, ko odstranjujete lakirane barve iz starih površin; v preteklosti so lahko barve vsebovale tudi svinec, ki je zelo strupen**
  - ! **izpostavljanje svincu, tudi samo nizkemu nivoju, lahko povzroči resne poškodbe živčnega sistema in možganov; mlajši in še ne rojeni otroci so posebno občutljivi**
  - ! **barve, ki vsebujejo svinec naj odstrani strokovnjak brez uporabe grelnika zraka**
- OSTALI UPORABNI PRIMERI:
  - ★ odstranjevanje (sintetičnih) zidnih oblog
- Odstranjevanje barve/laka ob steklu <sup>11</sup>
  - **vedno** uporabljajte nastavek za zaščito stekla G kadar delate ob steklu
  - barvo odstranite z ročnim strgalom
  - ! **nikoli ne uporabljajte orodja za odstranjevanje barve na kovinskih okvirih oken; kovina je toplotni prevodnik, zato lahko pride do pokanja stekla**
- Odstranjevanje nalepk (uporaba ploščatega nastavka H) <sup>12</sup>
  - veliko lepil s segrevanjem postane mehkejše, tako dosežemo, da lepilo popusti, hkrati pa lahko odstranimo tudi odvečno lepilo
  - ! **segrevajte nalepko na zgornji strani**
  - ! **bodite pozorni na pregrevanje površine pod nalepko**

## OSTALI UPORABNI PRIMERI:

- ★ odstranjevanje linolejev in vinilnih podov
- ★ odstranjevanje podov izdelanih iz sintetičnih vlaken
- ★ odstranjevanje furnirjev, prilepljenih z furnirnimi trakovi
- ★ mehčanje/topljenje smol, cina, bitumna in voska (uporaba ploščatega nastavka H)
- ★ voskanje (smuči, pohištvu) (uporaba ploščatega nastavka H) <sup>13</sup>
- ★ odstranjevanje umetnih smol
- ★ odvijanje zarjavelih/premočno privitih kovinskih vijakov in matic
- ★ odstranjevanje voska sveč (**ne pregrejte spodnje površine**)
- ★ popravilo polomljenih ali skrivljenih sveč v njihovo prvotno obliko
- Montaža fittingov <sup>14</sup>
  - uporabite odbojni nastavek J ali redukcijski nastavek K
  - izberite fitting ustreznega premera
  - fitting enakomerno segrevajte
- OSTALI UPORABNI PRIMERI:
  - ★ krčenje embalažne folije
- Lotanje vodovodnih cevi <sup>15</sup>

To orodje je zelo uporabno za mehko lotanje (temperatura taljenja pod 400°C)

  - uporabite odbojni nastavek J
  - pred lotanjem temeljito očistite obe spojni mesti
  - predhodno segrejte obe spojni mesti ter dodajte žico za lotanje (**ne uporabljajte žice za lotanje na bazi svinca**)
- Odmrzovanje vodovodnih cevi <sup>16</sup>
  - uporabite odbojni nastavek J
  - enakomerno segrevajte zamrznjeno področje
  - ! **vodovodne cevi je pogosto težko razlikovati od plinskih cevi; segrevanje plinskih cevi je zelo nevarno – nevarnost eksplozije**
- OSTALI UPORABNI PRIMERI:
  - ★ odmrzovanje vodovodnih cevi iz PVC (**položaj I, maks. 60°C**)
  - ★ odmrzovanje avtomobilskih ključavnic (**položaj I, maks. 60°C**) (uporabite redukcijski nastavek K)
  - ★ odtaljevanje hladilnikov in zamrzovalnih skrin (**ne poškodujte plastičnih delov/ohišja**)
  - ★ odtaljevanje z ledom pokritih stopnic in tlakov
- Oblikovanje plastičnih cevi
  - uporabite odbojni nastavek J
  - za preprečevanje poškodb na cevi, cev napolnite s peskom in oba konca cevi zaprite
  - enakomerno segrevajte cev z gibanjem iz ene strani na drugo stran
- OSTALI UPORABNI PRIMERI:
  - ★ oblikovanje plastičnih mas, ki imajo nizko temperaturo topljenja (polietilen, PVC, itd.)
  - ★ oblikovanje plastičnih mas, ki imajo visoko temperaturo topljenja (pleksi steklo, itd.)
  - ★ oblikovanje in upogibanje podov izdelanih iz sintetičnih vlaken
  - ★ oblikovanje in upogibanje lesa (modelarsko oblikovanje)

- Varjenje plastičnih mas
  - mesto varjenja mora biti čisto in nemastno
  - držite palico za varjenje blizu varjenja šiva in usmerjajte temperaturo na zvar, dokler palica ne postane lepljiva
  - prenehajte s segrevanjem, ko je šiv zapolnjen
- OSTALI UPORABNI PRIMERI:
  - ★ popravilo jadrnalnih desk, smuči in ostalih športnih pripomočkov izdelanih iz sintetičnih snovi (uporabite ploščati nastavek H)
  - ★ varjenje PVC materialov
  - ★ glajenje mehurjev po lepljenju PVC nalepk
  - ★ spajanje gumijastih cevi za zalivanje (uporabite odbojni nastavek J)

#### • Sušenje

**! vedno sušite z nizko ali srednjo temperaturno nastavitvijo (položaj 1 ali 2) in z naraščajočo oddaljenostjo med orodjem in obdelovancem**

- sušenje barve, lakov, mavca, malte
- sušenje stavbnega lesa pred kitanjem
- hitro sušenje gostih polnil ali lepil
- sušenje pred nanašanjem izolacijskih ali tesnilnih sredstev
- sušenje spojev in razpok pri izdelavi čolnov
- Čiščenje/dezinficiranje
  - dezinficiranje zajčjih kletk, golobnjakov itd. (**živali najprej odstranite**)
  - odstranjevanje kolonij mravelj
  - odstranjevanje lesnega črva in nadležnih hroščev (**držite orodje na primerni oddaljenosti od lesa**)
  - uničevanje plevela

## VZDRŽEVANJE/SERVISIRANJE

- Orodje ni namenjeno profesionalni uporabi
- Priključni kabel in orodje naj bosta vedno čista (posebej še prezračevalne odprtine F ②)
- Nikoli ne uporabljajte lahko vnetljivih tekočin za čiščenje grelnika zraka (še posebno ne za čiščenje zračne odprtine)
- Če bi kljub skrbnim postopkom izdelave in preizkušanja prišlo do izpada delovanja orodja, naj popravilo opravi servisna delavnica, pooblaščen za popravila SKILevih električnih orodij
  - pošljite **nerazstavljeno** orodje skupaj s potrdilom o nakupu pri vašemu prodajalcu v najbližjo SKIL servisno delavnico (naslovi, kot tudi spisek rezervnih delov se nahaja na [www.skil.com](http://www.skil.com))

## OKOLJE

- **Električnega orodja, pribora in embalaže ne odstranjujte s hišnimi odpadki** (samo za države EU)
  - v skladu z Evropsko direktivo 2012/19/EG o odpadnih električni in elektronski opremini in z njenim izvajanjem v nacionalni zakonodaji je treba električna orodja ob koncu njihove življenjske dobe ločeno zbirati in jih predati v postopek okolju prijaznega recikliranja
  - ko je potrebno odstranjevanje, naj vas o načinu spomni simbol ⑰

## IZJAVA O SKLADNOSTI CE

- Izjavljamo pod izključno odgovornostjo, da proizvod pod "Tehnični podatki" ustreza naslednjim standardom oz. standardiziranim dokumentom: EN 60335, EN 61000, EN 55014 v skladu z določili direktiv 2006/95/ES, 2004/108/ES, 2011/65/EU
- **Tehnična dokumentacija se nahaja pri:** SKIL Europe BV (PT-SEU/ENG1), 4825 BD Breda, NL

Marijn van der Hoofden  
Operations & Engineering

Olaf Dijkgraaf  
Approval Manager

SKIL Europe BV, 4825 BD Breda, NL

03.09.2014

CE11

EST

## Kuumaõhupuhur

8004

## SISSEJUHATUS

- Antud seade on ettenähtud värvri eemaldamiseks, plastmaterjalide vormimiseks ja keevitamiseks ning termokahaneva isolatsioontoru kuumutamiseks; seade sobib ka jootmistõõde teostamiseks, liimühenduste ja veetoorde sulatamiseks
- Tööriist pole mõeldud professionaalseks kasutamiseks
- Palun lugege käesolev kasutusjuhend hoolikalt läbi ja hoidke alles ③

## TEHNILISED ANDMED ①

### SEADME OSAD ②

- A Töölüliti (sisse/välja)
- B Nupud temperatuuri seadistamiseks
- C Nupud õhuvoolu seadistamiseks
- D Näidik (LCD)
- E Käitserõngas
- F Õhutusavad
- G Klaasikäitserõngas
- H Lapik otsak
- J Reflektorotsak
- K Redutseeriv otsak
- L Õhuava/otsak
- M Riputusrõngas

## OHUTUS

### ÜLDISED OHUTUSJUHISED

**⚠ TÄHELEPANU! Kõik ohutusnõuded ja juhised tuleb läbi lugeda.** Ohutusnõuete ja juhiste eiramise tagajärjeks võib olla elektrilööök, tulekahju ja/või rasked vigastused. **Hoidke kõik ohutusnõuded ja juhised edasiseks kasutamiseks hoolikalt alles.** Allpool kasutatud mõiste "elektriline tööriist" käib võrgutoitega (toitejuhtmega)

elektriliste tööriistade ja akutoitega (ilma toitejuhtmeta) elektriliste tööriistade kohta.

### 1) OHUTUSNÕUDED TÕÕPIIRKONNAS

- a) **Hoidke töökoht puhas ja korras.** Segadus või valgustamata tööpiirkonnad võivad põhjustada õnnetusi.
- b) **Ärge kasutage seadet plahvatusohtlikus keskkonnas, kus leidub tuleohtlikke vedelikke, gaase või tolmu.** Elektrilistest tööriistadest lööb sädemeid, mis võivad tolmu või auru süüdata.
- c) **Kui kasutate elektrilist tööriista, hoidke lapsed ja teised isikud töökohast eemal.** Kui Teie tähelepanu kõrvale juhitakse, võib seade Teie kontrolli alt väljuda.

### 2) ELEKTRIOHUTUS

- a) **Seadme pistik peab pistikupessa sobima. Pistiku kallal ei tohi teha mingeid muudatusi. Ärge kasutage kaitsemaandusega seadmete puhul adapterpistikuid.** Muutmata pistikud ja sobivad pistikupesad vähendavad elektrilöögi saamise riski.
- b) **Vältige kehakontakti maandatud pindadega, nagu torud, radiaatorid, pliidid ja külmikud.** Kui Teie keha on maandatud, on elektrilöögi risk suurem.
- c) **Hoidke seadet vihma ja niiskuse eest.** Kui elektriseadmesse on sattunud vett, on elektrilöögi saamise risk suurem.
- d) **Ärge kasutage toitejuhet selleks mitte ettenähtud otstarbel seadme kandmiseks, ülesriputamiseks ega pistiku pistikupesast väljatõmbamiseks. Hoidke toitejuhet kuumuse, õli, teravate servade ja seadme liikuvate osade eest.** Kahjustatud või keerduläänud toitejuhtmed suurendavad elektrilöögi saamise riski.
- e) **Kui töötate elektrilise tööriistaga vabas õhus, kasutage ainult selliseid pikendusjuhtmeid, mida on lubatud kasutada ka välistingimustes.** Välistingimustes kasutamiseks sobiva pikendusjuhtme kasutamine vähendab elektrilöögi saamise riski.
- f) **Kui elektrilise tööriista kasutamine niiskes keskkonnas on vältimatu, kasutage maandusega lekkevoolukaitses. Maandusega lekkevoolukaitsme kasutamine vähendab elektrilöögi ohtu.**

### 3) INIMESTE TURVALISUS

- a) **Olge tähelepanelik, jälgige, mida Te teete, ning toimige elektrilise tööriistaga töötades mõistlikult. Ärge kasutage seadet, kui olete väsinud või uimastite, alkoholi või ravimite mõju all.** Hetkeline tähelepanematus seadme kasutamisel võib põhjustada tõsiseid vigastusi.
- b) **Kandke isikukaitsevahendeid ja alati kaitseprille.** Isikukaitsevahendid, nagu tolumask, libisemiskindlad turvajalatsid, kaitsekiiver või kuulmiskaitsevahendid, kandmine – sõltuvalt elektrilise tööriista tüübist ja kasutusala – vähendab vigastuste riski.
- c) **Vältige seadme tahtmatut käivitamist. Enne pistiku ühendamist pistikupessa, aku ühendamist seadme külge, seadme ülestõstmist ja kandmist veenduge, et elektriline tööriist on välja lülitatud.** Kui hoiate elektrilise tööriista kandmiseel sõrme lülitil või ühendate vooluvõrku sisselülitatud seadme, võivad tagajärjeks olla õnnetused.
- d) **Enne seadme sisselülitamist eemaldage selle küljest reguleerimis- ja mutrivõtmed.** Seadme

pöörleva osa küljes olev reguleerimis- või mutrivõti võib põhjustada vigastusi.

- e) **Ärge hinnake end üle. Võtke stabiilne tööasend ja hoidke kogu aeg tasakaalu.** Nii saate seadet ootamatutes olukordades paremini kontrollida.
  - f) **Kandke sobivat rõivastust. Ärge kandke laiu riideid ega ehteid. Hoidke juuksed, rõivad ja kindad seadme liikuvatest osadest eemal.** Lotendavad riided, ehted või pikad juuksed võivad sattuda seadme liikuvate osade vahele.
  - g) **Kui on võimalik paigaldada tolmueemaldus- ja tolmukogumisseadiseid/seadmeid, veenduge, et need oleksid seadmele ühendatud ja et neid kasutataks õigesti.** Tolmueemaldusseadise kasutamine vähendab tolmust põhjustatud ohte.
- ### 4) ELEKTRILISTE TÕÕRIISTADE HOOLIKAS KÄSITSEMINE JA KASUTAMINE
- a) **Ärge koormake seadet üle. Kasutage töö tegemiseks selleks ettenähtud elektrilist tööriista.** Sobiva elektrilise tööriistaga töötate paremini ja turvalisemalt ettenähtud võimsusvahemikus.
  - b) **Ärge kasutage elektrilist tööriista, mille lüliti on rikkis.** Elektriline tööriist, mida ei ole enam võimalik sisse ja välja lülitada, on ohtlik ning seda tuleb remontida.
  - c) **Tõmmake pistik pistikupesast välja ja/või eemaldage seadmeist aku enne seadme reguleerimist, tarvikute vahetamist ja seadme ärapanekut.** See ettevaatusabinõu väldib seadme tahtmatut käivitamist.
  - d) **Kasutusvälisel ajal hoidke elektrilisi tööriistu lastele kättesaamatult. Ärge laske seadet kasutada isikutel, kes seda ei tunne või pole siintoodud juhiseid lugenud.** Kogenematute kasutajate käes kujutavad elektrilised tööriistad ohtu.
  - e) **Hoolitsege seadme eest. Kontrollige, kas seadme liikuvad osad funktsioneerivad korralikult ja ei kiildu kinni, ning ega mõned osad ei ole katki või sel määral kahjustatud, et võiksid mõjutada seadme töökindlust. Laske kahjustatud osad enne seadme kasutamist parandada.** Paljude õnnetuste põhjuseks on halvasti hooldatud elektrilised tööriistad.
  - f) **Hoidke löiketarvikud teravad ja puhtad.** Hoolikalt hoitud, teravate lõikeservadega löiketarvikud kiiduvad harvemini kinni ja neid on lihtsam juhtida.
  - g) **Kasutage elektrilist tööriista, lisavarustust, tarvikuid jne vastavalt siintoodud juhistele. Arvestage seejuures töötingimuste ja teostatava töö iseloomuga.** Elektriliste tööriistade kasutamine mitte ettenähtud otstarbel võib põhjustada ohtlikke olukordi.
- ### 5) TENNINDUS
- a) **Laske seadet parandada ainult kvalifitseeritud spetsialistidel ja ainult originaalvaruosadega.** Nii tagate seadme püsimise turvalisena.

### OHUTUSJUHISED KUUMAÕHUPUHURITE KOHTA

#### ENNE KASUTAMIST:

- Iga kord enne seadme kasutamist kontrollige selle töökorrasolekut; kahjustuste ilmnemisel laske seade parandada vastava kvalifikatsiooniga isikul; ärge kunagi avage seadet ise

- Kontrollige seadme toitejuhet ja pistikut iga kord enne kasutamist ning laske need kahjustuste ilmnemisel vastava kvalifikatsiooniga isikul välja vahetada
- Pikendusjuhtmete kasutamisel jälgige, et juhe oleks lõpuni lahti keritud ja vastaks 16 A voolutugevusele
- Kontrollige pikendusjuhet regulaarselt ja kahjustatud pikendusjuhe tuleb välja vahetada
- Kasutage seadet ja selle lisatarvikuid ainult vastavalt käesolevas kasutusjuhendis kirjeldatule ning seadme jaoks ettenähtud viisil; seadme kasutamine tööoperatsioonideks, mille teostamiseks see pole ette nähtud, võib põhjustada ohtliku olukorra
- Tööriista kasutaja peab olema vähemalt 16 aastat vana
- Seade ei ole mõeldud kasutamiseks isikutele (sh lastele), kellel on puudulikud füüsilised, sensoorsed või vaimsed võimed või kellel puudub kogemus ja teadmised, välja arvatud juhul, kuid nad töötavad nende ohutuse eest vastutava isiku järelevalve või juhendamise all
- Kontrollige alati, et võrgupinge vastaks seadme andmesilbil toodud pingele
- Vooluvõrku ühendamisel veenduge, et tööriist on välja lülitatud

#### KASUTAMISE AJAL:

- **Käige seadmega hoolikalt ringi; hoiduge tule ja põletuste eest**
  - ärge puudutage seadme otsakut/düüsi ega töödeldavat detaali, kuna need muutuvad äärmiselt kuumaks
  - ärge hoidke seadme otsakut/düüsi töödeldavale detailile liiga lähedal
  - ärge suunake kuuma õhuvoolu liiga kaua ühele ja samale kohale
  - ärge kunagi vaadake seadme otsakusse/düüsi
  - kandke kaitsekindaid ja kaitseprille
  - ärge suunake kuuma õhuvoolu kunagi teiste inimeste ega loomade pihta
  - ärge kunagi kasutage seadet juuste kuivatamiseks
  - ärge jätke seadet kunagi järelevalveta
  - ärge kasutage seadet kunagi süttimisohlike gaaside või tuleohlike materjalide läheduses (**plahvatusoht**)
  - plastmaterjalide, värvi, laki ja teiste analoogiliste materjalide töötlemisel võivad tekkida süttimisohlikud ja mürgised gaasid; hankige töödeldavate materjalide kohta eelnevalt teavet
  - pidage silmas, et kuumus võib tuleohlikele materjalidele kanduda ka väljaspool Teie nägemisulatust
  - ohutuse huvides hoidke käepärast ämber vett või tulekustuti juhuks, kui mõni materjal peaks süttima
- **Vältige elektrilööki**
  - ärge kunagi toppige midagi seadme otsakusse/düüsi
  - vältige kehalist kontakti maandatud objektidega (nt torud, küttekehad, pliidid, külmkapid)
  - hoolitsege selle eest, et seade ei saaks märjaks
  - ärge kasutage seadet niiskes keskkonnas
  - tööde teostamisel välitingimustes tuleb kasutada rikkevoolu-kaitseülilitit (max 30 mA käivitusvool) ning ainult välitingimustes kasutamiseks ette nähtud ja veepritsmete eest kaitsud pistikupesaga pikendusjuhet

- **Käsitsege toitejuhet ettevaatlikult**
  - hoidke toitejuhe kogu aeg eemal kuumast õhuvoolust ja seadme otsakust/düüsi
  - hoidke toitejuhe eemal kuumusest, õldest ja teravatest servadest
  - ärge kandke seadet, hoides seda toitejuhtmest, ega rebige toitejuhet voolu katkestamiseks pistikupesast välja
    - ärge riputage seadet toitejuhet pidi üles
- Ärge kasutage seadet kunagi ühenduses keemiliste lahustitega
- Hoolitsege selle eest, et tööpiirkonnas oleks piisav ventilatsioon
- Hoidke tööpiirkond puhas ja hästi valgustatud
- Hoidke lapsed tööpiirkonnast eemal
- Kindlustage, et lapsed ei mängiks seadmega
- Äkilised sissevoolud põhjustavad lühiajalisi pingelangusi; ebasobivate toiteallikate tingimustes võib muu varustus saada mõjutatud (kui toiteallika takistusüsteem on madalam kui 0,127 + j0,079 Ohm, on ebatõenäoline, et esineb häirimist); kui soovite edasist selgitust, võite kontakteeruda oma kohaliku vooluallika asutusega
- Olge alati valvas; jälgige, mida teete, töötage mõistlikult ja ärge kasutage seadet, kui olete väsinud
- Võtke stabiilne tööasend, ärge võtke ebaloomulikku asendit, eriti siis, kui seisate redelil või mõnel muul alusel
- Jälgige, et seade oleks enne käestpanemist välja lülitatud
- Seadme elektrilise või mehhaanilise häire korral lülitage seade viivitamatult välja ja eemaldage pistik vooluvõrgust

#### PÄRAST KASUTAMIST:

- Lülitage seade välja ja eemaldage pistik vooluvõrgust
- **Laske seadmel enne ärapanekut vähemalt 30 min jahtuda**
- Riputage seade riputusrõngast M ② pidi üles või asetage püstiasendis seisutalale; jälgige, et läheduses ei oleks tuleohlike materjale ega süttimisohlike gaase
- Ärge hoidke/jätke seadet välitingimustes
- Hoidke seadet kuivas ja suletud kohas, lastele kättesaamatult

## KASUTAMINE

- Lüliti sisse- ja väljalülitamiseks ning seadme 2 temperatuurirežiimi valimiseks ④
- ! **enne seadme ühendamist vooluvõrku kontrollige, et lüliti A on asendis "0"**
- lükates lüliti A, valige soovitud režiim:
  - I = 50°C + õhuhulk 250-500 liitrit/minutis
  - II = 50°C ... 650°C, õhuhulk 250-500 liitrit/minutis
- seadme esmakordsel kasutamisel võib seadmest eralduda pisut suitsu; see on normaalne ja ei kesta kaua
- seadme väljalülitamiseks lükake lüliti A asendisse "0"
- Temperatuuri seadistamine ⑤
  - seadistage sihttemperatuur 10 °C sammudega soovitud väärtusele, vajutades lühidalt nuppe B
  - kui nuppe B katkematult vajutada, tõuseb/langeb sihttemperatuur pidevalt, kuni nupud vabastatakse või temperatuur jõuab miinimum-/maksimumväärtusele
  - pärast sihttemperatuuri seadistamist on näidikul D soovitud temperatuuri saavutamiseni tegelik tõusev/langev temperatuur (ainult asendis "II")

- sihttemperatuur salvestatakse seadme mällu, nii et iga kord pärast seadme sisselülitamist kuumeneb seade viimase valitud sihttemperatuurini
  - **Õhuvoolu seadistamine** ⑥
    - seadistage õhuvool sammuga 50 l/min soovitud väärtusele, vajutades lühidalt nuppe C
    - näidik D näitab õhuvoolu tegelikku sätet tulpdiaagrammina
  - **Üldine kasutamine**
    - tehke kindlaks õige temperatuur, kasutades seadet töödeldava detaili varjatumas osas; alustage madalama temperatuuriga
    - temperatuur langeb vahemaa suurenedes seadme otsaku/düüsi ja töödeldava detaili vahel
    - vajalik temperatuur sõltub töödeldavast materjalist
  - **Stationsaarne kasutus** ⑦
    - asetage seade püstiasendisse, toetades seda seisutallale
    - hoolitsege selle eest, et töödeldava detaili pind oleks puhas ja tolmuvaba; saastunud õhk kahjustab mootorit
    - hoolitsege selle eest, et õhuvool oleks suunatud Teist eemale
    - kinnitage toitejuhe, et vältida seadme allatõmbamist
    - ärge puudutage seadme otsakut/düüsi
    - hoolitsege selle eest, et midagi ei kukuks kuumaõhupuhuri otsakusse/düüsi
    - hoidke seadet ettevaatlikult ühe käega, seda samal ajal teise käega välja lülitades; laske seadmel seejärel jahtuda
  - **Kasutamine raskesti ligipääsetavates kohtades**
    - eemaldage rõngas E ②, tänu millele paljastub metallist otsak suuremas ulatuses
  - ! **pöörake tähelepanu ulatunud tule- ja põletusohule**
  - **Tööriista hoidmine ja juhtimine** ⑧
    - hoidke seadet ühe käega
    - hoidke õhutusavad F ② kinnikatmata
  - **Standard-lisaravikud** ②
    - klaasikaitseotsak G (õhujoa eemalejuhtimiseks)
    - lapik otsak H (õhujoa laiendamiseks)
    - reflektorotsak J (õhujoa eemalejuhtimiseks)
    - redutseeriv otsak K (õhujoa eemalejuhtimiseks)
- MÄRKUSED:**
- kõiki siin näidetena toodud tööoperatsioone (**v.a värvi eemaldamiseks akendelt**) saab teostada ilma lisaravikuteta; kuid lisaravikute kasutamine hõlbustab tööde teostamist ja parandab lõpptulemuse kvaliteeti
  - seda tööriista saab kasutada ka koos kuumaõhupuhuritelega mõeldud BOSCHI ja muude laialdaselt saadaval olevate tarvikutega
- **Lisaravikute külgemonteerimine/eemaldamine**
  - monteeri lisaravik lihtsalt seadme otsaku L ② külge
  - eemaldage lisaravik, tõmmates seda pärast jahtumist ettepoole
- ! **kinnitage lisaravik vaid siis, kui seadme otsak on külm, lüliti asub asendis "0" ja pistik on vooluvõrgust eemaldatud**
- **Riputusrõngas M** ④
  - seadme hõlpsaks hoieülanekuks
- ! **laske seadmel enne ärapanekut vähemalt 30 min jahtuda**

- **Kuumuse konstant-kontroll (ülekoormuskaitse)**  
Kaitseb kütteelementi kahjustuste eest, kui seade on üle koormatud, ilma et seda peaks seiskama ja/või teatud aja jahtuda laskma
  - kui temperatuur on liiga kõrge, lülitub kütteelement automaatselt välja, mootor töötab edasi, tekitades külma õhku
  - kui temperatuur on piisavalt langenud (võtub aega vaid paar sekundit), lülitub kütteelement automaatselt sisse
- ! **kui lülitate tööriista pärast kõrge temperatuurisättega tööd välja ning varsti uuesti sisse, võib kütteelementi soovitud temperatuurini jõudmine aega võtta**

## TÖÖJUHISED

- **Värvi/laki eemaldamine** ⑩
    - kasutage puhast, teravat kaabitsat
    - kui värv pehmeneb, eemaldage see tugevalt kaapides
    - tehke proovi, tegemaks kindlaks, kui kaua tuleb optimaalse tulemuse saavutamiseks kuumust rakendada
    - pehmenenud värv tuleb kohe eemaldada, kuna vastasel juhul muutub see uuesti kõvaks
    - hoidke seadet töödeldava detaili suhtes 30° kuni 40° nurga all
    - eemaldage värv ja mustus kaabitsalt viivitamatult, vältimaks nende süttimist
    - võimaluse korral kaapige seda piki puidukiudu
    - ärge suunake kuuma õhujuga liiga kaua ühele ja samale kohale
    - kahjutustage kõik värvijäägid hoolikalt
    - puhastage tööpiirkond pärast töö lõppu hoolikalt
  - ! **olge ettevaatlik värvikihtide eemaldamisel vanades hoonetes; vanasti kasutati hoonete värvimisel ka ülilmürgist pliisisaldusega värvi**
  - ! **plii eraldumine isegi väikeses koguses võib tõsiselt kahjustada aju ja närvisüsteemi; eriti ohustatud on väikelapsed ja emaüas beebid**
  - ! **plii baasil värv laske eemaldada spetsialistil, kuumaõhupuhuri kasutamine on keelatud**
- VEEL KASUTUSNÄITEID:**
- ★ (sünteetiliste) seinakattematerjalide eemaldamine
  - **Värvi/ laki eemaldamine akendelt** ⑪
    - klaasi läheduses töötamisel kasutage alati klaasikaitseotsakut G
    - eemaldage värv pahtililadiga
  - ! **ärge kasutage seadet värvi eemaldamiseks metallraamidega akendelt; metall on hea soojusjuht, mistõttu võib klaas puruneda**
  - **Kleebiste eemaldamine (kasutage lapikut otsakut H)** ⑫
    - paljud liimid muutuvad soojendamisel pehmeks, tänu millele saab liimühenduse sulatada ja üleliigse liimi eemaldada
  - ! **kuumutage kleebiseid üleemiselt poolelt**
  - ! **jälgi, et selle all asuv pind ei kuumeneks üle**
- VEEL KASUTUSNÄITEID:**
- ★ linoleumist ja vinüülilist põrandakatete eemaldamine
  - ★ kunstkiududest vaipkatete eemaldamine
  - ★ vineeri eemaldamine/vineerilistude paigaldamine
  - ★ tõrva, tina, bituumeni, vaha pehmemandamine/sulatamine (kasutage lapikut otsakut H)

- ★ vahatamine (suusad, mööbel) (kasutage lapikut otsakut H) <sup>13</sup>
- ★ vaigu eemaldamine
- ★ roostetanud/liiga tugevalt kinnikeeratud metallkruidede, -mutrite ja -poltide lövendamine
- ★ küünlavaha eemaldamine (**vältige selle all asuva pinna kuumenemist**)
- ★ murdunud küünalde parandus/kõverakspaindunud küünalde esialgse kuju taastamine
- Termokahaneva toru kuumutamine <sup>14</sup>
  - kasutage reflektorotsakut J või redutseerivat otsakut K
  - valige töödeldava detailiga sobiva läbimõõduga termokahanev toru
  - kuumutage termokahanevat toru ühtlaselt
- VEEL KASUTUSNÄITEID:
  - ★ termokahanev pakendus
- Veetorude jootmine <sup>15</sup>
  - Seade sobib ideaalselt pehmejoodistõõdeks (sulamispunkt alla 400°)
  - kasutage reflektorotsakut J
  - puhastage mõlemad ühendatavad lõigud enne jootmist põhjalikult
  - kuumutage eelnevalt mõlemat lõiku ja asetage kohale jootetraat wire (**kasutage plii baasil jootetraati**)
- Külmunud veetorude sulatamine <sup>16</sup>
  - kasutage reflektorotsakut J
  - sulatage külmunud ala ühtlaselt ülles
- ! **veetorusid on sageli raske gaasitorudest eristada; gaasitorude kuumutamine on äärmiselt ohtlik – plahvatusoht**
- VEEL KASUTUSNÄITEID:
  - ★ PVC-st veetorude sulatamine (**asend I, max 60°C**)
  - ★ külmunud autolukkude sulatamine (**asend I, max 60°C**) (kasutage redutseerivat otsakut K)
  - ★ sügavkülmkirstude sulatamine (**ärge kahjustage plastkorpust**)
  - ★ jääga kaetud trepiastmete ja kõnniteede sulatamine
- Plasttorude vormimine
  - kasutage reflektorotsakut J
  - kuumunud plasttoru läbivajumise vältimiseks täitke see liivaga ja sulgege selle mõlemad otsad
  - kuumutage toru ühtlaselt, liigutades seda edasi-tagasi
- VEEL KASUTUSNÄITEID:
  - ★ kõikide madala sulamispunktiga plastmaterjalide (polüetüleen, PVC jne) vormimine
  - ★ kõikide kõrge sulamispunktiga plastmaterjalide (akrüülklaas, pleksiklaas jne) vormimine
  - ★ kunstkiududest vaipkatete vormimine ja painutamine
  - ★ puidu vormimine ja painutamine (mudelehitus)
- Plastmaterjalide keevitus
  - keevisõmblus peab olema puhas ja rasvavaba
  - hoidke keevitusvarrast keevisõmbluse lähedal ja töödeldge seda kuumusega, kuni keevitusvarras muutub kleepuvaks
  - lõpetage kuumusega töötlemine, kui keevisõmblus on täidetud
- VEEL KASUTUSNÄITEID:
  - ★ purjelaudade, suuskade jt plastmaterjalist sporditarvete parandus (kasutage lapikut otsakut H)
  - ★ PVC-materjalide keevitus
  - ★ mullide silumine pärast PVC-etiketide paigaldamist
  - ★ aiavoolikute ühendamine (kasutage reflektorotsakut J)

- Kuivatamine
  - ! **kuivatage ainult madalal või keskmisel temperatuurirežiimil (asend 1 või 2) ning hoides seadme ja töödeldava eseme vahel suuremat vahekaugust**
  - värvi, laki, kipsi, mördi ja krohvi kuivatamine
  - märja puidu kuivatamine enne täitmist
  - paksult pealekantud täitematerjali või liimi kiirkuivatus
  - ehitusvuukide kuivatamine enne isolatsiooni- või tihendussegude pealepühustamist
  - vuukide ja pragude kuivatamine paadiehituses
- Puhastamine/desinfitseerimine
  - küülikupuuride, tuvipuuride jne desinfitseerimine (**võtke loom või lind eelnevalt puurist välja**)
  - sipelgakoloniate hävitamine
  - puidukahjurit ja putukate tõrje (**hoidke seadet puudust piisaval kaugusel**)
  - umbrohutõrje

## HOOLDUS/TEENINDUS

- Tööriist pole mõeldud professionaalseks kasutamiseks
- Hoidke seade ja toitejuhe alati puhtad (eriti õhusaavad F <sup>2</sup>)
- Ärge kunagi kasutage kuumaõhupuhuri ja eriti selle otsaku/düüsi üldiseks puhastuseks süttimisohulikke vedelikke
- Tööriist on hoolikalt valmistatud ja testitud; kui tööriist sellest hoolimata rikki läheb, tuleb see lasta parandada SKILI elektriliste käsitööriistade volitatud remonditöökojas
  - toimetage **lahtimonteerimata** seade koos ostukviitungiga tarnijale või lähimasse SKILI lepingulisse töökotta (aadressid ja tööriista varuosade joonise leiate aadressil [www.skil.com](http://www.skil.com))

## KESKKOND

- **Ärge visake kasutuskoõlmatuks muutunud elektrilisi tööriistu, lisatarvikuid ja pakendeid ära koos olmejäätmetega** (üksnes EL liikmesriikidele)
  - vastavalt Euroopa Parlamendi ja nõukogu direktiivile 2012/19/EÜ elektri- ja elektroonikaseadmete jäätmete kohta ning direktiivi nõuete kohaldamisele liikmesriikides tuleb kasutuskoõlmatuks muutunud elektrilised tööriistad koguda eraldi ja keskkonnasäästlikult korduvkasutada või ringlusse võtta
  - seda meenutab Teile sümbol <sup>17</sup>

## VASTAVUSDEKLARATSIOON C E

- Kinnitame ainuvastutajana, et punktis "Tehnilised andmed" kirjeldatud toode vastab järgmistele standarditele või normdokumentidele: EN 60335, EN 61000, EN 55014 vastavalt direktiivide 2006/95/EÜ, 2004/108/EÜ, 2011/65/EL



- **Tehniline toimik saadaval aadressil:** SKIL Europe BV (PT-SEU/ENG1), 4825 BD Breda, NL

Marijn van der Hoofden  
Operations & Engineering

Olaf Dijkgraaf  
Approval Manager

SKIL Europe BV, 4825 BD Breda, NL

03.09.2014

CE11

LV

## Karstā gaisa plūsmas ģenerators 8004

### IEVADS

- Šis instruments ir paredzēts krāsas noņemšanai, plastmasas metināšanai un veidošanai, kā arī termosarūkošu cauruļu sildīšanai; bez tam tas ir piemērots lodēšanai, alvošanai, līmējumu mikstināšanai un ūdensvada cauruļu atkausēšanai
- Šis instruments nav paredzēts profesionālai lietošanai
- Izlasiet un saglabājiet šo pamācību ③

### TEHNISKIE PARAMETRI ①

### INSTRUMENTA ELEMENTI ②

- A Ieslēdzējs
- B Temperatūras iestatīšanas pogas
- C Pogas gaisa plūsmas iestatīšanai
- D Šķidro kristālu displejs (LCD)
- E Aizsargs gredzens
- F Ventilācijas atveres
- G Stiklu aizsargājošs uzgalis
- H Plakanais uzgalis
- J Reflektoruzgalis
- K Gaisa plūsmas koncentrēšanas uzgalis
- L Gaisa izvads/uzgalis
- M Āķis

### DROŠĪBA

#### VISPĀRĒJĒ DARBA DROŠĪBAS NOTEIKUMI

**UZMANĪBU!** Rūpīgi izlasiet visus drošības noteikumus. Šeit sniegto drošības noteikumu un norādījumu neievērošana var izraisīt aizdegšanos un būt par cēloni elektriskajam triecienam vai nopietnam savainojumam. **Pēc izlasīšanas uzglabājiet šos noteikumus turpmākai izmantošanai.** Turpmākajā izklāstā lietotais apzīmējums "elektroinstrumenti" attiecas gan uz tīkla elektroinstrumentiem (ar elektrokabeļi), gan arī uz akumulatora elektroinstrumentiem (bez elektrokabeļa).

#### 1) DROŠĪBA DARBA VIETĀ

- a) **Sekoiet, lai darba vieta būtu tīra un sakārtota.** Nekārtīgā darba vietā vai sliktā apgaismojumā var viegli notikt nelaimes gadījums.

- b) **Nelietojiet elektroinstrumentu eksplozīvu vai ugunsnedrošu vielu tuvumā un vietās ar paaugstinātu gāzes vai putekļu saturu gaisā.** Darba laikā instrumenti nedaudz dzirksteļo, un tas var izsaukt viegli degošu putekļu vai tvaiku aizdegšanos.
- c) **Lietojot elektroinstrumentu, neļaujiet nepiederošām personām un jo īpaši bērniem tuvoties darba vietai.** Citu personu klātbūtne var novērst uzmanību, un tā rezultātā jūs varat zaudēt kontroli pār instrumentu.

#### 2) ELEKTRODROŠĪBA

- a) **Elektroinstrumenta kontaktdakšai jābūt piemērotai elektrotīkla kontaktligzdai. Kontaktdakšas konstrukciju nedrīkst nekādā veidā mainīt. Nelietojiet kontaktdakšas salāgotājus, ja elektroinstrumenti caur kabeli tiek savienots ar aizsargzēmējuma ķēdi.** Neizmaiņas konstrukcijas kontaktdakša, kas piemērota kontaktligzdai, ļauj samazināt elektriskā trieciena saņemšanas risku.
- b) **Darba laikā nepieskarieties saņemtiem priekšmetiem, piemēram, caurulēm, radiatoriem, plītiem vai ledusskapjiem.** Pieskaroties saņemtiem virsmām, pieaug risks saņemt elektrisko triecienu.
- c) **Nelietojiet elektroinstrumentu lietus laikā, neturiet to mitrumā.** Mitrumam iekļūstot instrumentā, pieaug risks saņemt elektrisko triecienu.
- d) **Nenesiet un nepiekariet elektroinstrumentu aiz elektrokabeļa. Neraujiet aiz kabeļa, ja vēlaties atvienot instrumentu no elektrotīkla kontaktligzdas. Sargājiet elektrokabeļi no karstuma, eļļas, asām šķautnēm un instrumenta kustīgajām daļām.** Bojāts vai samezģlojies elektrokabeļis var būt par cēloni elektriskajam triecienam.
- e) **Darbinot elektroinstrumentu ārpus telpām, izmantojiet tā pievienošanai vienīgi tādus pagarinātājkabeļus, kuru lietošana ārpus telpām ir atļauta.** Lietojot elektrokabeļi, kas piemērots darbam ārpus telpām, samazinās risks saņemt elektrisko triecienu.
- f) **Ja elektroinstrumentu tomēr nepieciešams lietot vietās ar paaugstinātu mitrumu, izmantojiet tā pievienošanai noplūdes strāvas aizsargreleju.** Lietojot noplūdes strāvas aizsargreleju, samazinās risks saņemt elektrisko triecienu.

#### 3) PERSONISKĀ DROŠĪBA

- a) **Darba laikā saglabājiet paškontroli un rīkojieties saskaņā ar veselo saprātu.** Pārtrauciet darbu, ja jūtaties noguris vai atrodaties alkohola, narkotiku vai medikamentu izraisītā reibumā. Strādājot ar elektroinstrumentu, pat viens neuzmanības mirklis var būt par cēloni nopietnam savainojumam.
- b) **Izmantojiet individuālos darba aizsardzības līdzekļus un darba laikā vienmēr nēsājiet aizsargbrilles.** Individuālo darba aizsardzības līdzekļu (putekļu maskas, neslidošu apavu un aizsargķiveres vai ausu aizsargu) pielietošana atbilstoši elektroinstrumenta tipam un veicamā darba raksturam ļauj izvairīties no savainojumiem.
- c) **Nepieļaujiet elektroinstrumenta patvaļīgu ieslēgšanos.** Pirms elektroinstrumenta pievienošanas elektrotīklam, akumulatora ievietošanas vai izņemšanas, kā arī pirms elektroinstrumenta pārņemšanas pārliecinieties, ka

**tas ir izslēgts.** Pārnesot elektroinstrumentu, ja pirksts atrodas uz ieslēdzēja, kā arī pievienojot to elektrobarošanas avotam laikā, kad elektroinstrumentis ir ieslēgts, var viegli notikt nelaimes gadījums.

- d) **Pirms instrumenta ieslēgšanas neaizmirstiet izņemt no tā regulējamos instrumentus vai skrūvjatslēgas.** Patronatslēga vai skrūvjatslēga, kas instrumenta ieslēgšanas brīdī nav izņemta no tā, var radīt savainojumu.
  - e) **Strādājot ar elektroinstrumentu, ieturiet stingru stāju. Darba laikā vienmēr saglabājiet līdzsvaru un centieties nepaslidēt.** Tas atvieglos instrumenta vadību neparedzētās situācijās.
  - f) **Izvēlieties darbam piemērotu apģērbu. Darba laikā nenēsājiet brīvi plandošas drēbes un rotaslietas. Netuviniet matus, apģērbu un aizsargcimdus instrumenta kustīgajām daļām.** Vaļīgas drēbes, rotaslietas un gari mati var iekļerties instrumenta kustīgajās daļās.
  - g) **Ja elektroinstrumenta konstrukcija ļauj tam pievienot ārējo putekļu uzsūkšanas vai savākšanas/uzkrāšanas ierīci, sekojiet, lai tā tiktu pievienota elektroinstrumentam un pareizi darbotos.** Pielietojot putekļu uzsūkšanu vai savākšanu/uzkrāšanu, samazināš no kaitīgā ietekme uz strādājošās personas veselību.
- 4) ELEKTROINSTRUMENTU LIETOŠANA UN APKOPE**
- a) **Nepārslodojiet elektroinstrumentu. Katram darbam izvēlieties piemērotu instrumentu.** Elektroinstrumentos darbosies labāk un drošāk pie nominālās slodzes.
  - b) **Nelietojiet elektroinstrumentu, ja ir bojāts tā ieslēdzējs.** Elektroinstrumentis, ko nevar ieslēgt un izslēgt, ir bīstams lietošanai un to nepieciešams remontēt.
  - c) **Pirms elektroinstrumenta apkopes, regulēšanas vai darbinstrumenta nomainīšanas atvienojiet tā kontaktdakšu no barojošā elektrotīkla vai izņemiet no tā akumulatoru.** Šādi iespējams samazināt elektroinstrumenta nejaušas ieslēgšanās risku.
  - d) **Elektroinstrumentu, kas netiek darbināts, uzglabājiet piemērotā vietā, kur tas nav sasniedzams bērniem un personām, kuras neprot rīkoties ar instrumentu.** Ja elektroinstrumentu lieto nekompetentas personas, tas var apdraudēt cilvēku veselību.
  - e) **Rūpīgi veiciet elektroinstrumenta apkalpošanu. Pārbaudiet, vai kustīgās daļas darbojas bez traucējumiem un nav iespīlētas, vai kāda no daļām nav salauzta vai bojāta, vai katra no tām pareizi funkcionē un pilda tai paredzēto uzdevumu. Nodrošiniet, lai bojātās daļas tiktu savlaicīgi nomainītas vai remontētas pilnvarotā remontu darbnīcā.** Daudzi nelaimes gadījumi notiek tāpēc, ka elektroinstrumentis pirms lietošanas nav pienācīgi apkalpots.
  - f) **Savlaicīgi notīriet un uzasiniet griezošos darbinstrumentus.** Rūpīgi kopti instrumenti, kas apgādāti ar asiem griezējinstrumentiem, ļauj strādāt daudz ražīgāk un ir vieglāk vadāmi.
  - g) **Lietojiet vienīgi tādus elektroinstrumentus, papildpiederumus, darbinstrumentus utt., kas paredzēti attiecīgajam pielietojuma veidam. Bez tam jāņem vērā arī konkrētie darba apstākļi un**

**pielietojuma īpatnības.** Elektroinstrumentu lietošana citiem mērķiem, nekā to ir paredzējusi ražotājfirma, ir bīstama un var novest pie neparedzamām sekām.

## **5) APKALPOŠANA**

- a) **Nodrošiniet, lai Instrumenta remontu veiktu kvalificēts personāls, nomainīj izmantojot oriģinālās rezerves daļas un piederumus.** Tikai tā iespējams panākt instrumenta ilgstošu un nevainojamu darbību bez atteikumiem.

## **DARBA DROŠĪBAS NOTEIKUMI KARSTĀ GAISA PLŪSMAS ĒNERATORAM**

### **KAS JĀIEVĪRO PIRMS DARBA UZSĀKŠANAS:**

- Ikreiz pirms instrumenta izmantošanas pārbaudiet tā darbspēju un, konstatējot bojājumu, nekavējoties nododiet instrumentu remontēšanai kvalificētam speciālistam; neatveriet instrumentu patstāvīgi
- Ikreiz pirms instrumenta izmantošanas pārbaudiet tā elektrokabeli un kontaktdakšu; konstatējot bojājumu, parūpējieties, lai bojātā elektrokabeļa nomainīju veiktu kvalificēts speciālists
- Lietojiet pilnīgi atītus un drošus pagarinātājkaabeļus, kas paredzēti 16 A strāvai
- Periodiski pārbaudiet pagarinātājkaabeli un, atklājot bojājumu, nomainiet to
- Lietojiet instrumentu un tā papildpiederumus saskaņā ar šo Pamācību un atbilstoši paredzētajam uzdevumam; neizmantojiet instrumentu darbiem, kas nav aprakstīti Lietošanas pamācībā, jo tas var radīt bīstamu situāciju
- Šo instrumentu nedrīkst izmantot personas, kas jaunākas par 16 gadiem
- Šis instruments nav paredzēts ekspluatēt personām (tostarp bērniem) ar ierobežotām fiziskām, uztveres vai garīgām spējām, kā arī tiem, kuriem nav vajadzīgās pieredzes un zināšanu, ja vien persona, kas atbild par drošību, viņus neuzrauga vai nesniedz norādījumus par šī instrumenta lietošanu
- Pārliecinieties, ka sprieguma vērtība, kas uzrādīta uz instrumenta marķējuma plāksnītes, atbilst maiņsprieguma vērtībai barojošajā elektrotīklā
- Pirms instrumenta pievienošanas elektrotīklam pārliecinieties, ka tā ieslēdzējs ir izslēgtā stāvoklī

### **KAS JĀIEVĪRO DARBA LAIKĀ:**

- **Darbojoties ar instrumentu uzmanīgi, nepieļaujot uzliesmošanu un izvairoties no apdegumiem**
  - nepieskarieties instrumenta gaisa izplūdes atverei/uzgalim un apstrādāmajam priekšmetam, jo tie stipri sakarst
  - neturiet instrumenta gaisa izplūdes atveri/uzgali pārāk tuvu apstrādāmajam priekšmeta virsmai
  - nevērsiet karstā gaisa plūsmu pārāk ilgi uz vienu un to pašu virsmas vietu
  - nekādā gadījumā neraugieties instrumenta gaisa izplūdes atverē/uzgalī
  - darba laikā uzvelciet aizsargcimdus un lietojiet aizsargbrilles
  - nevērsiet karstā gaisa plūsmu pret cilvēkiem un dzīvniekiem
  - neizmantojiet instrumentu matu žāvēšanai
  - neatstājiet instrumentu bez uzraudzības

- nelietojiet instrumentu viegli uzliesmojošu gāzu un degošu materiālu tuvumā (**jo var izsaukt sprādzienu**)
- apstrādājot plastmasu, krāsu, laku un citus līdzīgus materiālus, var izdalīties viegli uzliesmojošas un indīgas gāzes, tādēļ pirms darba uzsākšanas noskaidrojiet, kādi materiāli tiks apstrādāti
- ņemiet vērā, ka karstais gaiss var sasniegt arī degošus materiālus, kas neatrodas darba darītāja tiešā tuvumā
- darba drošības nolūkos turiet tuvumā ūdens spaini vai ugunsdzēsamo aparātu gadījumam, ja apstrādājamais priekšmets tomēr uzliesmo
- **Sargieties no elektriskā trieciena**
  - neko neievietojiet instrumenta gaisa izplūdes atverē/uzgali
  - izvairieties no saskares ar iezemētiem priekšmetiem vai virsmām (piem., caurulēm, radiatoriem, plītiem, ledusskapjiem)
  - pārliecinieties, ka instruments nav kļuvis mitrs
  - neizmantojiet instrumentu paaugstinātā mitruma apstākļos
  - ja instruments tiek izmantots ārpus telpām, pievienojiet to elektriskajam spriegumam, izmantojot noplūdes strāvas aizsargreleju, kas nostrādā, ja strāva instrumenta aizsargzemejuma ķēdē pārsniedz 30 mA; instrumenta pievienošanai pie elektrotīkla ārpus telpām izmantojiet tikai tādus pagarinātājkabeļus, kas paredzēti šādai lietošanai un ir aizsargāti pret mitrumu
- **Uzmanīgi rīkojieties ar instrumenta elektrokabeli**
  - turiet instrumenta elektrokabeli drošā attālumā no karstā gaisa plūsmas un instrumenta gaisa izplūdes atveres/uzgāja
  - sargājiet elektrokabeli no karstuma, eļļas un asām apmalēm
  - nenesiet instrumentu aiz elektrokabeļa un neraujiet aiz tā, ja vēlaties atvienot instrumentu no elektrotīkla kontaktligzdas
  - nepakariniet instrumentu aiz elektrokabeļa
- Neizmantojiet instrumentu, vienlaicīgi lietojot ķīmiskos šķīdinātājus
- Sekojiet, lai darba zona tiktu pienācīgi vēdināta
- Uzturiet tīrību darba vietā un nodrošiniet labu apgaismojumu
- Neļaujiet bērniem tuvoties darba zonai
- Uzmaniet, lai bērni nespēlotos ar šo instrumentu
- Strāvas pieaugums ķēdē rada īslaicīgus sprieguma kritumus; ja ir nelabvēlīgi strāvas padeves nosacījumi, var tikt ietekmēts cits aprīkojums (traucējumi parasti nav novērojami, ja elektroapgādes sistēmas pilna iekšējā pretestība nepārsniedz 0,127 + j0,079 omus); ja Jums ir nepieciešams sīkāks skaidrojums, varat sazināties ar vietējo elektroapgādes iestādi
- Nezaudējiet uzmanību; lietojot instrumentu, pievērsiet uzmanību tikai darbam un rīkojieties saskaņā ar veselo saprātu; pārtrauciet darbu, ja jūtaties noguris
- Ieturiet stingru stāju; darba gaitā centieties ieturēt līdzsvaru un nepasīdēt, īpaši stāvot uz pārnēsājamajām kāpnēm un paaugstinājumiem
- Pirms noliekat instrumentu, izslēdziet to

- Elektriska vai mehāniska rakstura kļūmes gadījumā nekavējoties izslēdziet instrumentu un atvienojiet kabeļa kontaktdakšu no elektrotīkla

#### **KAS JĀIEVIRO PĪC DARBA PABEIGŠANAS:**

- Izslēdziet instrumentu un atvienojiet tā elektrokabeļa kontaktdakšu no barojošā elektrotīkla
- **Pirms novietojat instrumentu uzglabāšanai, ļaujiet tam atdzist vismaz 30 minūtes**
- Pakariniet instrumentu aiz gredzena M ② vai nolieciet to uz aizmugurējās virsmas vertikālā stāvoklī, pirms tam pārliecinoties, ka tuvumā neatrodas ugunsnedroši materiāli vai viegli uzliesmojošas gāzes
- Neuzglabājiet/neatstājiet instrumentu ārpus telpām
- Uzglabājiet instrumentu sausā, augstu izvietotā vietā, kur tas nav pieejams bērniem

## **DARBS**

- Ieslēdzējs ar 2 temperatūras režīmiem ④
  - ! **pirms instrumenta pievienošanas elektrotīklam pārbaudiet, vai ieslēdzējs A atrodas stāvoklī "0"**
  - lai ieslēgtu instrumentu, pārbīdīet ieslēdzēju A vajadzīgajā stāvoklī:
    - I = 50°C + gaisa plūsma 250-500 l/min.
    - II = 50°C ... 650°C, gaisa plūsma 250-500 l/min.
  - izmantojot instrumentu pirmo reizi, no tā var izdalīties dūmi; tā ir normāla parādība, kas drīz izbeidzas
  - lai ieslēgtu instrumentu, pārbīdīet ieslēdzēju A stāvoklī "0"
- Temperatūras iestatīšana ⑤
  - nospiežot pogu, ar 10°C grādu soli iestatiet B vēlamo temperatūru
  - ja poga B tiek turēta nospiesta, temperatūra nepārtraukti palielinās/samazinās līdz brīdim, kad poga atlaista vai sasniegta minimālā/maksimālā temperatūra
  - pēc tam, kad vajadzīgā temperatūra iestatīta, displejā D līdz brīdim, kad sasniegta vajadzīgā temperatūra, attēlota pašreizējā uzsilšanas/atdzīšanas temperatūra (tikai stāvoklī "II")
  - vēlamā temperatūra tiks saglabāta darbarīka atmiņā, tādējādi katru reizi, kad darbarīks tiek ieslēgts, tas uzsilst līdz pēdējai iestatītajai temperatūrai
- Gaisa plūsmas iestatīšana ⑥
  - iestatiet vēlamo gaisa plūsmu ar soli 50 l/min, uz īsu brīdi nospiežot C pogas
  - displejā D joslas diagrammas veidā parādās faktiskais gaisa plūsmas iestatījums
- Instrumenta izmantošana parastā veidā
  - lai noteiktu apstrādājamajam materiālam piemērotāko gaisa plūsmas temperatūru, izdariet mēģinājumu neuzkrītošā vietā uz priekšmeta virsmas, uzsākot apstrādi ar zemāko temperatūras iestādījumu
  - palielinoties attālumam starp instrumenta gaisa izplūdes atveri/uzgali un apstrādājamā priekšmeta virsmu, gaisa plūsmas temperatūra samazinās
  - optimālā gaisa plūsmas temperatūra ir atkarīga no apstrādājamā materiāla īpašībām
- Instrumenta izmantošana stacionārā stāvoklī ⑦
  - novietojiet instrumentu vertikālā stāvoklī uz aizmugurējās balstvirsmas

- pārļiecinieties, ka virsma ir tīra un bez putekļiem, jo piesārņots gaiss var izsaukt instrumenta elektrodzinēja bojājumu
  - pārļiecinieties, ka gaisa plūsma ir vērsta prom no jums
  - nostipriniet instrumenta elektrokabeli tā, lai instruments nejauci netiktu izkustināts no vietas
  - nepieskarieties instrumenta gaisa izplūdes atverei/uzgalim
  - sekojiet, lai nekas neiekļūtu instrumenta gaisa izplūdes atverē/uzgalī
  - izslēdzot instrumentu, ar roku uzmanīgi pieturiet to; pēc tam ļaujiet instrumentam atdzist
  - Instrumenta izmantošana grūti pieejamās vietās
    - noņemot gredzenu E ②, atbrīvojiet instrumenta metāla atveri, tādējādi nodrošinot gaisa plūsmu lielākā attālumā
  - ! **neizmirstiet, ka šādā gadījumā pieaug uzliesmošanas un apdedzināšanās iespējamība**
  - Instrumenta turēšana un vadīšana ⑧
    - darba laikā turiet instrumentu ar vienu roku
    - nenosprostojiet instrumenta ventilācijas atveres F ②
  - Standarta papildpiederumi ②
    - uzgalis G stikla aizsardzībai (gaisa plūsmas novirzīšanai)
    - plakanaiz uzgalis H (gaisa plūsmas paplašināšanai)
    - atstarojošais uzgalis J (gaisa plūsmas atstarošanai)
    - sašaurinošais uzgalis K (gaisa plūsmas koncentrēšanai)
- PIEZĪMES:**
- visi šajā Pamācībā pieminētie praktiskie padomi (**izņemot piemēru par krāsas noņemšanu no logu rāmjiem**) ir realizējami arī bez papildpiederumiem; taču uzgaļu izmantošana atvieglo darbu un paaugstina apstrādes kvalitāti
  - šo darbarīku var arī lietot kopā ar BOSCH- un citiem plaši pieejamiem piederumiem, kas paredzēti karstā gaisa plūsmas ģeneratoriem
  - Papildpiederumu pievienošana un noņemšana
    - lai pievienotu instrumentam uzgali, uzvelciet to gaisa plūsmas atverei L ②
    - lai noņemtu uzgali, pēc instrumenta atdzesēšanas novelciet to virzienā uz priekšu
  - ! **uzgali drīkst pievienot tikai tad, kad instrumenta gaisa izplūdes atvere ir atdzisusi, ieslēdzējs atrodas stāvoklī "0" un elektrokabeļa kontaktdakša ir atvienota no elektrotīkla**
  - Āķis M ③
    - ērtai darbarīka uzglabāšanai
  - ! **pirms novietojat instrumentu uzglabāšanai, ļaujiet tam atdzist vismaz 30 minūtes**
  - Vienmērīga siltuma padeves režīma kontrole (aizsardzība pret pārslodzi)
    - Šī funkcija aizsargā sildelementu no bojājuma instrumenta pārslodzes gadījumā, kad instrumentu nav iespējams izslēgt un/vai atdzesēt
    - ja temperatūra pārsniedz noteiktu vērtību, sildelements pats izslēdzas, bet instrumenta elektrodzinējs turpina darboties un padot aukstā gaisa plūsmu
    - pēc temperatūras pazemināšanās (tas aizņem tikai dažas sekundes), sildelements automātiski ieslēdzas

! **kad darbarīks ir izslēgts pēc tam, kad darbojies augstas temperatūras iestatījumā, un pēc neilga laika atkal tiek ieslēgts, var paiet ilgāks laiks, līdz sildelements sasniedz vēlamu temperatūru**

## PRAKTISKI PADOMI

- Krāsas un lakas noņemšana ⑩
    - izmantojiet šim nolūkam tīru un asu skrāpi
    - krāsas slānim kļūstot mīkstum, nokasiet to
    - lai sasniegtu optimālus darba rezultātus, karstā gaisa plūsmas iedarbības ilgumu nosakiet mēģinājumu ceļā
    - mīksto krāsu nokasiet nekavējoties, lai neļautu tai atkal sacietēt
    - karstā gaisa plūsmas iedarbības laikā turiet instrumentu 30° līdz 40° leņķī attiecībā pret apstrādājamo virsmu
    - regulāri atīriet skrāpi no krāsas paliekām un netīrumiem, lai nepieļautu to aizdegšanos
    - ja iespējams, vadiet skrāpi koksnes šķiedru virzienā
    - nevērsiet karstā gaisa plūsmu pārāk ilgi uz vienu un to pašu virsmas vietu
    - noņemto krāsu savāciet un uzglabājiet drošā vietā
    - pēc darba pabeigšanas rūpīgi atīriet darba vietu
  - ! **rīkojieties uzmanīgi, noņemot krāsas slāņus vecās ēkās, jo agrāk krāsas nereti saturēja svīnu, kas ir īpaši indīga viela**
  - ! **svina savienojumi pat ļoti nelielās devās var izraisīt nopietnu smadzeņu un nervu sistēmas bojājumus; īpaši kaitīgu iedarbību svins atstāj uz maziem un vēl nedzimušiem bērniem**
  - ! **svīnu saturošas krāsas drīkst noņemt tikai speciālists, neizmantojot šim nolūkam karstā gaisa plūsmas ģeneratoru**
- CITS LIETOŠANAS PIEMĪRS:**
- ★ sintētiskā sienu pārklājuma noņemšana
  - Krāsas un lakas noņemšana logu stikla tuvumā ⑪
    - **vienmēr** izmantojiet uzgali G, kas paredzēts stikla aizsardzībai
    - krāsas noņemšanai izmantojiet rokas skrāpi
  - ! **neizmantojiet instrumentu krāsas noņemšanai no metāla logu rāmjiem, jo metāls labi vada siltumu, kā rezultātā var rasties stikla bojājumi**
  - Uzlīmju noņemšana (izmantojiet plakano uzgali H) ⑫
    - daudzas līmvielas karstuma iedarbībā kļūst mīkstas, kas ļauj salīmētās virsmas viegli atdalīt, kā arī noņemt lieko līmvielas daudzumu
  - ! **karsējiet uzlīmi no ārpusēs**
  - ! **sekojiet, lai pamatvirsmā netiktu pārļieku sakarsēta CITI LIETOŠANAS PIEMĪRI:**
  - ★ linoleja un vinila grīdas pārklājuma noņemšana
  - ★ sintētiskās šķiedras paklāja flīžu noņemšana
  - ★ apdars slāņa noņemšana/apdars joslu uzklāšana
  - ★ darvas, alvas, bitumena un vaska mikstināšana/izkausēšana (izmantojiet plakano uzgali H)
  - ★ slēpju un mēbeļu vaskošana (izmantojiet plakano uzgali H) ⑬
  - ★ sveķu noņemšana
  - ★ ierūsējušu vai pārāk stingri pievilktu skrūvju, uzgriežņu un buļskrūvju atslābināšana
  - ★ sveču vaska noņemšana (**pārļieku nesakarsējiet virsmu zem sveču vaska**)
  - ★ salūzušu vai saliektu sveču oriģinālās formas atjaunošana

- Uzsēdināšana karsējot <sup>14</sup>
  - izmantojiet atstarojošo uzgali J vai sašaurinošo uzgali K
  - izvēlieties tādu termosarūkošu cauruli, kuras diametrs atbilst apstrādājamās sagataves diametram
  - vienmērīgi uzkaršējiet termosarūkošo cauruli

#### CITS LIETOŠANAS PIEMĪRS:

- ★ iesaiņošana, izmantojot termosarūkošu materiālu

- Ūdensvada cauruļu lodēšana <sup>15</sup>

Šis instruments ir piemērots lodēšanai ar mikstajiem lodmateriāliem (kuru kušanas temperatūra ir zemāka par 400°)

- izmantojiet atstarojošo uzgali J
- pirms salodēšanas rūpīgi atfīriet abas savienojamās sekcijas
- vispirms sakarsējiet abas savienojamās sekcijas un tikai tad tuviniet tām lodmateriāla stiepli (**neizmantojiet svīnu saturošu lodmateriāla stiepli**)

- Ūdensvada cauruļu atkausēšana <sup>16</sup>

- izmantojiet atstarojošo uzgali J
- vienmērīgi karšējiet izsauli caurules posmu

**! ūdensvada caurules nereti ir grūti atšķirt no gāzes caurulēm; atcerieties, ka gāzes pievadcauruļu karsēšana ir ļoti bīstama, jo var izsaukt sprādzienu**

#### CITI LIETOŠANAS PIEMĪRI:

- ★ ūdensvadas cauruļu, kas izgatavotas no polivinilhlorīda (PVC) atkausēšana (**stāvoklī I, maks. 60°C**)

- ★ aizsalušu automašīnas slēdžu atkausēšana (**stāvoklī I, maks. 60°C**) (izmantojiet sašaurinošo uzgali K)

- ★ saldētājiēriču atkausēšana (**uzmanieties, lai nesabojātu to plastmasas korpusu**)

- ★ pakāpienu un ietvju atbrīvošana no apledojuma

- Plastmasas cauruļu formas veidošana

- izmantojiet atstarojošo uzgali J
- lai caurule karsēšanas laikā nesamezglotos, papildiet to ar smiltīm un noslēdziet abus tās galus
- vienmērīgi sakarsējiet cauruli, pārvietojot to garenskā virzienā

#### CITI LIETOŠANAS PIEMĪRI:

- ★ plastmasu veidošana ar zemu kušanas temperatūru (polietilēns, PVC utt.)

- ★ plastmasu veidošana ar augstu kušanas temperatūru (akrilstikls, organiskais stikls utt.)

- ★ sintētiskās šķiedras paklāja fižu formas veidošana

- ★ koka priekšmetu formas veidošana un liekšana (modelēšana)

- Plastmasu metināšana

- metināšanas šuvei jābūt tīrai un brīvai no smērvielām
- turiet metināšanas stieni šuves tuvumā un sildiet to, līdz stienis kļūst mīksts
- pēc metināšanas šuves papildīšanas pārtrauciet karstā gaisa pievadīšanu

#### CITI LIETOŠANAS PIEMĪRI:

- ★ sērīnga dēļu, slēpju un cita no sintētiska materiāla izgatavota sporta inventāra remontēšana (izmantojiet plakano uzgali H)

- ★ polivinilhlorīda (PVC) priekšmetu metināšana

- ★ polivinilhlorīda uzlīmju nogludināšana pēc uzlīmēšanas

- ★ dārza laistāmo šļūteņu savienošana (izmantojiet atstarojošo uzgali J)

- Žāvēšana

**! veicot žāvēšanu, iestādiet zemāko vai vidējo gaisa plūsmas temperatūru (ieslēdzējam jāatrodas stāvoklī 1 vai 2), kā arī ieturiet pietiekoši lielu attālumu starp instrumenta uzgali un apstrādājamo priekšmetu**

- krāsas, lakas, gīpša, javas un apmetuma žāvēšana
- mitras koksnes žāvēšana pirms pildvielas iekļāšanās
- bieža pildvielas slāņa vai firmvielas paātrināta žāvēšana

- celtniecības šuvju žāvēšana pirms to izolācijas vai hermetizācijas
- savienojumu vietu vai plaisu žāvēšana kuģu būvniecībā

- Tīrīšana un dezinfekcija

- trušu būru, baložu būdu utt. dezinfekcija (**vispirms obligāti izņemiet no turienes dzīvniekus vai putnus**)

- skudru koloniju iznīcināšana

- koksnes kaitēkļu iznīcināšana (**turiet instrumentu drošā attālumā no koka virsmas**)

- nezaļu likvidēšana

## APKALPOŠANA / APKOPE

- Šis darbarīks nav paredzēts profesionālai lietošanai
- Uzturiet tīru instrumentu un elektrokabeli (īpaši ventilācijas atveres F <sup>2</sup>)
- Neizmantojiet viegli uzliesmojošus šķidrumus karstā gaisa plūsmas ģeneratora tīrīšanai un jo īpaši gaisa plūsmas atveres/uzgāja tīrīšanai
- Ja, neraugoties uz augsto izgatavošanas kvalitāti un rūpīgo pēcražošanas pārbaudi, instruments tomēr sabojājas, tas jānogādā remontam firmas SKIL pilnvarotā elektroinstrumentu remonta darbnīcā
  - nogādājiet instrumentu **neizjauktā veidā** kopā ar iegādes dokumentiem tuvākajā tirdzniecības vietā vai firmas SKIL pilnvarotā pēciegādes apkalpošanas un remonta iestādē (adreses un instrumenta apkalpošanas shēma ir sniegta interneta vietnē [www.skil.com](http://www.skil.com))

## APKĀRTĒJĀS VIDES AIZSARDZĪBA

- **Neizmetiet elektroiekārtas, piederumus un iesaiņojuma materiālus sadzīves atkritumos** (tikai ES valstīm)
  - saskaņā ar Eiropas Savienības direktīvu 2012/19/ES par nolietotajām elektriskajām un elektroniskajām iekārtām un tās atspoguļojumiem nacionālajā likumdošanā, nolietotās elektroiekārtas ir jāsavāc, jāizjauc un jānogādā atreizējai pārstrādei apkārtējai videi nekaitīgā veidā
  - īpašs simbols <sup>17</sup> atgādina par nepieciešamību izstrādājumus izmantot videi nekaitīgā veidā

# ATBILSTĪBAS DEKLARĀCIJA C Ē

- Mēs ar pilnu atbildību paziņojam, ka šajā "Tehniskie parametri" aprakstītais izstrādājums atbilst šādiem standartiem vai normatīvajiem dokumentiem: EN 60335, EN 61000, EN 55014, kā arī direktīvām 2006/95/EK, 2004/108/EK, 2011/65/ES
- Tehniskā dokumentācija no:** SKIL Europe BV (PT-SEU/ENG1), 4825 BD Breda, NL

Marijn van der Hoofden  
Operations & Engineering

Olaf Dijkgraaf  
Approval Manager

SKIL Europe BV, 4825 BD Breda, NL

03.09.2014

CE11

LT

## Techninis fenas

8004

### ĪVADAS

- Šis prietaiss skirtas šalinti dažams, formuoti ir svirinti plastmasēs, kaitinti šilumos poveikje susitraukiančius izoliacinius vamzdelius; taip pat juo galima liuoti, alavuoti, išskirti klijuotinius sujungimus, atitirpinti užšalusius vandens vamzdžius
- Šis prietaiss neskirtas profesionaliam naudojimui
- Perskaitykite ir išsaugokite šią naudojimo instrukciją ③

## TECHNINIAI DUOMENYS ①

### PRIETAISO ELEMENTAI ②

- A Įjungimo/išjungimo jungiklis
- B Temperatūros nustatymo mygtukai
- C Oro srauto nustatymo mygtukai
- D Skystųjų kristalų displejus (LCD)
- E Apsauginis žiedas
- F Ventiliacinės angos
- G Apsauginė stiklo tūta
- H Plokščia tūta
- J Refleksinė tūta
- K Redukcinė tūta
- L Oro išėjimo anga / tūta
- M Kabinimo žiedas

## SAUGA

### BENDROSIOS DARBO SAUGOS INSTRUKCIJOS

**⚠ DĖMESIO! Perskaitykite visas šias saugos nuorodas ir reikalavimus.** Jei nepaisysite žemiau pateiktų saugos nuorodų ir reikalavimų, gali trenkti elektros smūgis, kilti gaisras ir/arba galite sunkiai susižaloti arba sužaloti kitus asmenis. **Išsaugokite šias saugos nuorodas ir reikalavimus, kad ir ateityje galėtumėte jais pasinaudoti.** Toliau pateiktame tekste vartojama sąvoka "elektrinis įrankis" apibūdina įrankius, maitinamus iš elektros

tinklo (su maitinimo laidu), ir akumuliatorinius įrankius (be maitinimo laido).

### 1) DARBO VIETOS SAUGUMAS

- a) **Darbo vieta turi būti švari ir tvarkinga.** Tinkama aplinka blogai apšviesta darbo vieta gali tapti nelaimingų atsitikimų priežastimi.
- b) **Nedirbkite tokioje aplinkoje, kur yra degių skysčių, dujų ar dulkių.** Elektriniai įrankiai gali kibirkščiuoti, o nuo kibirkščių dulkės arba susikaupę garai gali užsidegti.
- c) **Dirbdami su elektriniu įrankiu neieškite šalia būti žiūrovams, vaikams ir lankytojams.** Nukreipę dėmesį į kitus asmenis galite nebesuvaldyti prietaiso.

### 2) ELEKTROSAUGA

- a) **Maitinimo laido kištukas turi atitikti tinklo rozetės tipą.** Kištuko jokių būdų negalima modifikuoti. **Nenaudokite jokių kištuko adapterių su žemintais prietaisais.** Originalūs kištukai, tiksliai tinkantys elektros tinklo rozetei, sumažina elektros smūgio pavojų.
- b) **Venkite kūno kontakto su žemintais paviršiais, tokiais kaip vamzdžiai, šildytuvai, viryklės ar šaldytuvai.** Egzistuoja padidinta elektros smūgio rizika, jei Jūsų kūnas bus žemintas.
- c) **Saugokite prietaisą nuo lietaus ir drėgmės.** Jei vanduo patenka į elektrinį prietaisą, padidėja elektros smūgio rizika.
- d) **Nenaudokite maitinimo laido ne pagal paskirtį, t. y. neneškite prietaiso paėmę už laido, nekabinkite prietaiso už laido, netraukite už jo, norėdami išjungti kištuką iš rozetės. Laidą klokite taip, kad jo neveiktų karštis, jis neišsitęptų alyva ir jo nepažeistų aštrios detalės ar judančios prietaiso dalys.** Pažeisti arba susipynę laidai gali tapti elektros smūgio priežastimi.
- e) **Jeigu su elektriniu įrankiu dirbate lauke, naudokite tik tokius ilginimo kabelius, kurie tinka lauko darbams.** Naudojant lauko darbams pritaikytus ilginimo kabelius, sumažinamas elektros smūgio pavojus.
- f) **Jeigu su elektriniu įrankiu neišvengiamai reikia dirbti drėgnoje aplinkoje, naudokite žemimo grandinės pertraukiklį.** Naudojant žemimo grandinės pertraukiklį, sumažėja elektros smūgio pavojus.

### 3) ŽMONIŲ SAUGA

- a) **Būkite atidūs, sutelkite dėmesį į tai, ką Jūs darote ir, dirbdami su elektriniu įrankiu, vadovaukitės sveiku protu. Nedirbkite su prietaisu, jei esate pavargę arba vartojote narkotikus, alkoholį ar medikamentus.** Akimirksnio neatidumas naudojant prietaisą gali tapti rimtų sužalojimų priežastimi.
- b) **Naudokite asmenines apsaugos priemones ir visuomet užsidėkite apsauginius akinius.** Naudojant asmenines apsaugos priemones, pvz., respiratorių ar apsauginę kaukę, neslystančius batus, apsauginį šalną, klausos apsaugos priemones ir kt., rekomenduojamas dirbant su tam tikros rūšies įrankiais, sumažėja rizika susižeisti.
- c) **Saugokite, kad neįjungtumėte prietaiso atsitiktinai. Prieš prijungdami elektrinį įrankį prie elektros tinklo ir/arba akumuliatoriaus, prieš pakeldami ar nešdami įsitikinkite, kad jis yra išjungtas.** Jeigu nešdami elektrinį įrankį pirštą laikysite ant jungiklio arba prietaisą įjungsitė į elektros tinklą, kai jungiklis yra įjungtas, gali įvykti nelaimingas atsitikimas.

- d) **Prieš įjungdami prietaisą pašalinkite reguliavimo įrankius arba veržlių raktus.** Prietaiso besisukančioje dalyje esantis įrankis ar raktas gali tapti sužalojimų priežastimi.
- e) **Nepervertinkite savo galimybių. Dirbdami atsistokite patikimai ir visada išlaikykite pusiausvyrą.** Patikima stovėseną ir tinkamą kūno laikyseną leis geriau kontroliuoti prietaisą netikėtose situacijose.
- f) **Dėvėkite tinkamą aprangą. Nedėvėkite plačių drabužių ir papuošalų. Saugokite plaukus, drabužius ir pirštines nuo besisukančių prietaiso dalių.** Laisvus drabužius, papuošalus bei ilgus plaukus gali įtraukti besisukančios dalys.
- g) **Jei yra numatyta galimybė prijungti dulkių nusiurbimo ar surinkimo įrenginius, visada įsitikinkite, ar jie yra prijungti ir ar teisingai naudojami.** Naudojant dulkių nusiurbimo įrenginius sumažėja kenksmingas dulkių poveikis.

#### 4) RŪPESTINGA ELEKTRINIŲ ĮRANKIŲ PRIEŽIŪRA IR NAUDOJIMAS

- a) **Neperkraukite prietaiso. Naudokite Jūsų darbui tinkamą elektrinį įrankį.** Su tinkamu elektriniu įrankiu Jūs dirbsite geriau ir saugiau, jei neviršysite nurodyto galingumo.
- b) **Nenaudokite elektrinio įrankio su sugedusiu jungikliu.** Elektrinis įrankis, kurio nebegalima įjungti ar išjungti, yra pavojingas ir jį reikia remontuoti.
- c) **Prieš reguliuodami prietaisą, keisdami darbo įrankius ar prieš valydami prietaisą, iš elektros tinklo lizdo ištraukite kištuką ir/arba išimkite akumuliatorių.** Ši saugumo priemonė apsaugos jus nuo netikėto prietaiso įsijungimo.
- d) **Nenaudojamą prietaisą sandėliuokite vaikams ir nemokantiems juo naudotis asmenims neprieinamoje vietoje.** Elektriniai įrankiai yra pavojingi, kai juos naudoja nepatyrę asmenys.
- e) **Rūpestingai prižiūrėkite prietaisą. Tikrinkite, ar besisukančios prietaiso dalys tinkamai veikia ir niekur neklūva, ar nėra sulūžusių ar šiaip pažeistų dalių, kurios įtakotų prietaiso veikimą.** Prieš vėl naudojant prietaisą pažeistos prietaiso dalys turi būti suremontuotos. Daugelio nelaimingų atsitikimų priežastis yra blogai prižiūrimi elektriniai įrankiai.
- f) **Pjovimo įrankiai turi būti aštrūs ir švarūs.** Rūpestingai prižiūrėti pjovimo įrankiai su aštriomis pjaunamosiomis briaunomis mažiau stringa ir juos yra lengviau valdyti.
- g) **Elektrinį įrankį, papildomą įrangą, darbo įrankius ir t. t. naudokite taip, kaip nurodyta šioje instrukcijoje. Taip pat atsižvelkite į darbo sąlygas bei atliekamo darbo pobūdį.** Naudojant elektrinius įrankius ne pagal jų paskirtį galima sukelti pavojingas situacijas.

#### 5) APTARNAVIMAS

- a) **Prietaisą turi remontuoti tik kvalifikuotas specialistas ir naudoti tik originalias atsargines dalis.** Taip galima garantuoti, jog prietaisas išliks saugus.

#### SAUGOS NUORODOS DIRBANTIEMS SU TECHNINIAIS FENAIS

##### PRIEŠ NAUDOJIMĄ:

- Kiekvieną kartą prieš pradėdami dirbti su prietaisu patikrinkite, ar jis tinkamai veikia ir, pastebėję gedimą, nedelsdami kreipkitės į specialistą; patys neardykite prietaiso

- Kiekvieną kartą prieš pradėdami dirbti su prietaisu patikrinkite jo maitinimo kabelį ir kištuką; aptikę gedimą nedelsdami kreipkitės į specialistą, kad jis pakeistų sugedusias dalis
- Naudodami ilginamuosius kabelius atkreipkite dėmesį į tai, kad kabelis būtų iki galo išvyniotas ir būtų pritaikytas 16 A elektros srovei
- Periodiškai tikrinkite prailginimo kabelius ir pažeistus kabelius nedelsdami pakeiskite
- Prietaisą ir papildomą įrangą naudokite tik tiems darbams ir tik tokiu būdu, kaip yra aprašyta eksploatacijos instrukcijoje; mėginti šiuo prietaisu atlikti instrukcijoje nenumatytus darbus gali būti pavojinga
- Šį prietaisą turėtų naudoti tik asmenys, kuriems 16 ir daugiau metų
- Šis prietaisas nėra skirtas naudoti asmenims (įskaitant vaikus), kurie turi menkus fizinius, jutimų ar psichikos sugebėjimus arba kurie stokoja patirties ir žinių; tokius asmenis turi prižiūrėti už jų saugą atsakingas asmuo arba jis turi jiems suteikti instrukcijas dėl prietaiso naudojimo
- Visada patikrinkite, ar elektros tinklo įtampa atitinka prietaiso firmineje lentelėje nurodytą įtampą
- Prieš kišdami kištuką į elektros lizdą įsitikinkite, kad prietaisas yra išjungtas

##### NAUDOJIMO METU:

- **Su prietaisu dirbkite labai atidžiai; saugokitės užsiliepsnojimo ir nudegimų**
  - nelieskite oro išėjimo angos/tūtos ir įkaitinto objekto; jie labai karšti
  - nelaikykite oro išėjimo angos/tūtos per daug arti apdirbamo objekto
  - nelaikykite karšto oro srovės per ilgai nukreipę į tą patį apdirbamą paviršių
  - niekada nežiūrėkite į oro išėjimo angą/tūtą
  - mūvėkite apsauginius pirštines ir naudokite apsauginius akinius
  - niekada nenukreipkite karšto oro srovės į žmones ar gyvūnus
  - jokiū būdu nenaudokite prietaiso plaukų džiovimui
  - niekuomet nepalikite prietaiso be priežiūros
  - nedirbkite su prietaisu netoli lengvai užsiliepsnojančių dujų ar degių medžiagų (**sprogimo pavojus**)
  - apdirbant plastiką, dažus, lakuotus paviršius ir panašias medžiagas gali susidaryti nuodingos dujos; prieš pradėdami apdirbti medžiagą išsiaiškinkite, kokios yra jos savybės
  - turėkite omenyje, kad karštis gali būti perduotas degioms medžiagoms, kurių jūs tiesiogiai darbo zonoje nematote
  - saugumo sumetimais pasiruoškite kibirą vandens ar gesintuvą, jei kartais kokia nors medžiaga užsiliepsnotų
- **Saugokitės elektros srovės smūgio**
  - niekada nieko nekiškite į oro išėjimo angą/tūtą
  - neprilieskite prie įžemintų paviršių (pvz., prie vamzdžių, šildytuvų, viryklių, šaldytuvų)
  - neleiskite prietaisui sudrėkti
  - nenaudokite prietaiso drėgnoje aplinkoje
  - jei su prietaisu dirbate lauke, jis turi būti prijungtas per nuotėkio srovės apsauginį išjungiklį (FI-), kurio suveikimo srovė yra ne didesnė, kaip 30 mA; naudokite tik lauko darbams skirtus prailginimo kabelius su hermetiškais jungtimis

## • **Atsargiai elkitės su laidu**

- laidas turi būti kuo toliau nuo karšto oro srovės ir oro išėjimo angos/tūros
- laidą klokite taip, kad jo neveiktų karštis, jis neišsitemptų alyva ir jo nepažeistų aštrios detalės
- neneškite prietaiso paėmę už kabelio, norėdami išjungti prietaisą netraukite kabelio iš elektros tinklo lizdo
- nekabinkite prietaiso žemyn už kabelio
- Jokiu būdu nenaudokite prietaiso kartu su cheminiais tirpikliais
- Yra būtina, kad patalpa, kurioje dirbate, būtų pakankamai vėdinama
- Darbo vieta turi būti švari ir gerai apšviesta
- Vaikams darbo vietoje būti draudžiama
- Pasirūpinkite, kad vaikai nežaistų su prietaisu
- Įeinančios srovės sukelia trumpus įtampos kritimus; netinkamas elektros energijos tiekimo sąlygos gali turėti įtakos jūsų įrangai (jei sistemos srovės tiekimo suminė varža yra mažesnė kaip 0,127 + j0,079 omai, gali atsirasti trukdžiai); jei reikia išsamesnio paaiškinimo, kreipkitės į savo vietinę elektros energijos tiekimo įstaigą
- Dirbdami su prietaisu nuolat būkite budrūs, susikoncentravę į tai, ką veikiate; darbe vadovaukitės sveiku protu ir nedirbkite su prietaisu, jei esate pavargę
- Dirbdami atsistokite patikimai; venkite nenormalių kūno padėčių, ypač jei stovite ant kopėčių ar pakylės
- Prieš padėdami prietaisą įsitikinkite, kad jį išjungėte
- Atsiradus mechaninio ar elektrinio pobūdžio trukdžiams, tuojau pat išjunkite prietaisą ir ištraukite kištuką iš elektros tinklo lizdo

## **PO NAUDOJIMO:**

- Išjunkite prietaisą ir ištraukite kištuką iš elektros lizdo
- **Prieš padėdami prietaisą leiskite jam atvėsti bent 30 minučių**
- Pakabinkite prietaisą už kabinimo žiedo M ② arba pastatykite jį vertikaliai užpakaline dalimi ant lygaus paviršiaus; įsitikinkite, kad netoliese nėra degių medžiagų ar užsiliepsnojančių dujų
- Nelaikykite/nepalikite prietaisą lauke
- Laikykite prietaisą sausoje ir rakinamoje, vaikams neprieinamoje vietoje

## **NAUDOJIMAS**

- Įjungimo ir išjungimo jungiklis su 2 temperatūros režimais ④

**! prieš jungdami prietaisą į elektros tinklą patikrinkite, ar jungiklis A ra padėtyje “0”**

- įjunkite prietaisą, perstumdami jungiklį A į pageidaujama padėtį:
  - I = 50°C + oro srovė 250-500 l/min.
  - II = 50°C ... 650°C, oro srovė 250-500 l/min.
- pirmą kartą įjungus prietaisą, jis gali pradėti truputį rūkti; tai yra normalu ir turi netrukus nustoti
- perstumę jungiklį A į padėtį “0”, prietaisą išjungsitė
- Temperatūros nustatymas ⑤
  - nustatykite norimą temperatūrą etapais po 10°C, trumpai spusteldami B mygtukus
  - spaudžiami mygtukai B palaipsniui didina/mažina norimą temperatūrą tol, kol mygtukai nespaudžiami arba pasiekiami didžiausia/mažiausia temperatūra

- kai nustatoma reikiama temperatūra, ekrane lyje D rodoma faktinė kylanti/krentanti temperatūra tol, kol pasiekiami norima temperatūra (tik padėtyje “II”)
- reikiama temperatūra išsaugoma prietaiso atmintyje, kad kas sykių įjungus prietaisą įkaištų iki paskutinės parinktos norimos temperatūros
- Oro srauto nustatymas ⑥
  - trumpai spustelėdami mygtukus C nustatykite reikiama oro srautą 50 l/min. intervalu
  - ekrane lyje D histogramos pavidalu rodomas nustatytas oro srautas
- Bendro pobūdžio naudojimas
  - nustatykite tinkamą temperatūrą, išbandydami prietaiso veikimą mažiau matomoje ruošinio vietoje; pradėkite dirbti nustatę žemesnę temperatūrą
  - didinant atstumą tarp oro išėjimo angos/tūros ir ruošinio temperatūra krinta
  - reikalinga temperatūra priklauso nuo apdirbamo ruošinio
- Stacionarus naudojimas ⑦
  - pastatykite prietaisą ant jo užpakalinės dalies vertikaliai
  - įsitikinkite, kad pagrindo, ant kurio stovi techninis fonas, paviršius yra sausas ir švarus; užterštas oras gadina variklį
  - įsitikinkite, kad oro srovė nukreipta į šalį nuo Jūsų
  - įtvirtinkite kabelį, kad netyčia už jo užkliuvę, nenuverstumėte prietaiso
  - nelieskite oro išėjimo angos/tūros
  - įsitikinkite, kad niekas nepateks į oro išėjimo angą/tūtą
  - viena ranka atsargiai laikydami prietaisą, kita jį išjunkite ir leiskite jam atvėsti
- Naudojimas sunkiai prieinamose vietose
  - nuimkite žiedą E ②, tuo būdu atsiveria ilgesnė metalinė oro išėjimo antgalio dalis
- ! saugokitės didesnio užsiliepsnojimo ir nudegimo pavojaus**
- Prietaiso laikymas ir valdymas ⑧
  - prietaisą laikykite viena ranka
  - ventiliacines angas F ② laikykite neuždengtas
- Standartinė papildoma įranga ②
  - stiklą apsauganti tūta G (oro srovės nukreipimui)
  - plokščia tūta H (oro srovės praplėtimui)
  - reflekinė tūta J (oro srovės nukreipimui)
  - redukcinė tūta K (oro srovės nukreipimui)
- PASTABOS:**
  - prietaisą galima naudoti ir be papildomos įrangos (**išskyrus dažų šalinimo nuo langų atvejus**) tačiau tinkami papildomi antgaliai palengvina darbą, ir jo rezultatai būna geresni
  - šis prietaisas gali būti naudojamas kartu su BOSCH gamybos ir kitais įprastiniais priedais techniniais fonams
- Papildomos įrangos montavimas ir nuėmimas
  - papildomą antgalį sumontuokite ant oro išėjimo angos L ②
  - papildomą antgalį galima nuimti, kuomet jis atvėsęs, tiesiog nutraukiant jį į priekį
- ! papildomus antgalius montuokite tik tuomet, kai oro išėjimo anga ra atvėsus, jungiklis yra padėtyje “0” ir elektros laido kištukas yra ištrauktas iš tinklo rozetės**



- Kabinimo žiedas M ⑨
  - paprastam prietaiso laikymui
  - ! **prieš padėdami prietaisą leiskite jam atvėsti bent 30 minučių**
- Apsauga nuo perkrovos (nuolatinė temperatūros kontrolė)
  - Apsaugo kaitinimo elementą nuo perkaitimo, kuomet prietaisas dirba su pernelyg daug didele apkrova; prietaisas tuo metu neišsijungia ir nereikia, laukti, kol jis atvės
  - jei temperatūra yra per aukšta, kaitinimo elementas pats išsijungia, o variklis veikia toliau ir tiekia šaltą orą
  - kai temperatūra pakankamai nukrinta (tai paprastai užtrunka tik apie porą sekundžių), kaitinimo elementas vėl savaimė išsijungia
  - ! **baigus darbą aukšta temperatūra ir po trumpos pertraukos vėl įjungus prietaisą gali praeiti šiek tiek laiko, kol kaitinimo elementas įkails iki reikiamos temperatūros**

## NAUDOJIMO PATARIMAI

- Dažų/lako pašalinimas ⑩
  - naudokite švarų, aštrų grandiklį
  - kai dažai nuo karščio suminkštėja, juos nugremžkite
  - paeksperimentuokite ir išsiaiškinkite, kaip ilgai reikia kaitinti, norint pasiekti optimalius rezultatus
  - suminkštėjusius dažus iš karto nugremžkite, priešingu atveju jie vėl sukietės;
  - prietaisą laikykite nukreipę į ruošinį 30° – 40° kampu
  - iš karto pašalinkite nuo grandiklio dažų liekanas ir purvą, nes jie gali užsidegti
  - esant galimybei gremžkite išilgai medienos tekstūros
  - nelaikykite karšto oro srovės per ilgai nukreipę į tą patį apdirbamą paviršių
  - visas dažų atliekas sunaikinkite laikydamiesi gamtos saugos reikalavimų
  - baigę dirbti, išvalykite darbo vietą
  - ! **šalinami dažus senuose pastatuose būkite atsargūs: gali būti, kad šis pastatas dažytas švino turinčiais dažais, kaip tai buvo įprasta seniau, o tokie dažai yra labai nuodingi**
  - ! **net nedidelis švino išsiskyrimas gali paveikti smegenis ir nervų sistemą; ypač jis kenkia mažiems vaikams ir dar motinų iščiose nešiojamiems kūdikiams**
  - ! **švino turinčius dažus turi pašalinti specialistas, nenaudodamas techninio feno**

### KITAS PANAUDOJIMO PAVYZDYŠ:

- ★ (sintetinių) sieninių iškabų šalinimas
- Dažų ar lako šalinimas nuo langų ⑪
  - dirbdami netoli stiklo visada naudokite apsauginę stiklo tūtą G
  - dažus šalinkite rankiniu grandikliu
  - ! **nenaudokite prietaiso dažų šalinimui nuo metalinių langų rėmų; metalas yra šilumos laidininkas, todėl gali įskilti stiklas**
- Lipdukų pašalinimas (naudokite plokščią tūtą H) ⑫
  - daugelis klijų rūšių veikiant šilumai minkštėja, todėl juos galima po to pašalinti
  - ! **kaitinkite viršutinį lipduko sluoksnį**
  - ! **nuolat tikrinkite, kad apačioje esantis paviršius neperauktų**

### KITI PANAUDOJIMO PAVYZDŽIAI:

- ★ linoleumo ir vinilo grindų dangos pašalinimas
- ★ sintetinės kiliminės dangos pašalinimas
- ★ faneruotės pašalinimas ir faneruotės juostelių klijavimas
- ★ dervos, alavo, bitumo, vaško minkštinimas ir tirpinimas (naudokite plokščią tūtą H)
- ★ (slidžių, baldų) vaškavimas (naudokite plokščią tūtą H) ⑬
- ★ sakų šalinimas
- ★ surūdijusių ar per daug tvirtai priveržtų metalinių varžtų, veržlių ir pirštų atlaisvinimas
- ★ žvakių vaško pašalinimas (**neperkaitinkite apačioje esančio paviršiaus**)
- ★ sulūžusių žvakių taisyimas, sulinkusių žvakių pradinės formos atstatymas
- Apraukimas šilumos poveikyje susitraukiančiu apvkalu ⑭
  - naudokite reflekinę tūtą J arba redukcinę tūtą K
  - pasirinkite ruošinio diametrą atitinkantį susitraukiantį vamzdelį
  - tolygiai įkaitinkite susitraukiantį vamzdelį

### KITAS PANAUDOJIMO PAVYZDYŠ:

- ★ pakavimas (pakuotės apraukimas plėvele)
- Vandentiekio vamzdžių litavimas ⑮
  - Prietaisas geriausiai tinka dirbti su minkštu lydmetaliu (lydymosi taškas – žemiau nei 400°)
  - naudokite reflekinę tūtą J
  - prieš lituodami abi dalis kruopščiai nuvalykite
  - prieš lituodami pašildykite abi nupjautas dalis ir uždekte litavimo vielą (**nenaudokite litavimo vielos su švinu**)
- Užšalusį vandens vamzdžių atšildymas ⑯
  - naudokite reflekinę tūtą J
  - tolygiai atšildykite užšalusį plotą
  - ! **vandentiekio vamzdžius dažnai sunku atskirti nuo dujų vamzdžių; kaitinti dujų vamzdžius yra nepaprastai pavojinga – jie gali sprogti**

### KITI PANAUDOJIMO PAVYZDŽIAI:

- ★ vandentiekio vamzdžių iš polivinilo chlorido (PVC) atitirpinimas (**padėtis I, maks. 60°C**)
- ★ užšalusių automobilių spynelių atitirpinimas (**padėtis I, maks. 60°C**) (naudokite redukcinę tūtą K)
- ★ žemos temperatūros šaldiklių atitirpinimas (**nesugadinkite plastikinio korpuso**)
- ★ apledėjusių laiptų ir šaligatvių atitirpinimas
- Plastikinių vamzdžių formavimas
  - naudokite reflekinę tūtą J
  - pripildykite vamzdį smėliu ir uždarykite abu jo galus, taip išvengsite vamzdžio susilankstymo
  - sukiodami tolygiai sušildykite vamzdį

### KITI PANAUDOJIMO PAVYZDŽIAI:

- ★ plastikų su žemu lydymosi tašku (polietilenas, PVC ir t.t.) formavimas
- ★ dirbtinių medžiagų su aukštu lydymosi tašku (akriolo stiklas, organinis stiklas ir t.t.) formavimas
- ★ dirbtinio pluošto kiliminės dangos formavimas ir lankstymas
- ★ medžio formavimas ir lankstymas (modelių gamyba)

- Пластикo сувиринимас
  - сувиринимо сиулэ тури буги швари ир нериебалуота
  - сувиринимо виэлэ лаикйките арти сувиринимо сиулэс ир кайтинките, кол виела пасидарыс липни
  - nustokite кайтити, кай сувиринимо сиулэс буги узпильдита
- KITI PANAUDOJIMO PAVYZDŽIAI:
  - ★ баянглечю, слидзю ир кито пластикинио спорто инвенториаус таисымас (наудоките плокшчю тютэ H)
  - ★ медзюагы иш PVC сувиринимас
  - ★ пюслию, сусидариусю узкляжавус етикетес иш PVC, лыгинимас
  - ★ содо лаистымо жаныю прижунгимас (наудоките рефлекчею тютэ J)
- Дзюивинимас
  - ! **дзюивинките тик нустатэ жемаю температюру (падэтинс 1 арба 2) ир лаикядами притайсаю толи нуо руошнито**
  - дазю, лачо, гипсо, скиединио ир тинко дзюивинимас
  - шлайо медзю дзюивинимас притэс узпильдымаю
  - греитас стору слуоксниу узтепто узпильдо ар кляю дзюивинимас
  - статыбнйю сандюру дзюивинимас притэс пуршкянт изоляцинес ар сандариначяс медзюагас
  - сандюру ир пльшю дзюивинимас гаяинант вальтис
- Вальымас ир дезинфекчя
  - триушю, баландзю нарвелью ир пан. дезинфекчя (**пирмауся ишымките саво наминй гывунаю**)
  - скрудзю колонийю наикинимас
  - киниварпю ир скаптуку наикинимас (**лаикйките притайсаю толи нуо медзюо**)
  - пиктжюлю наикинимас

## PRIEŽIŪRA / SERVISAS

- Šis prietaisas neskirtas profesionaliam naudojimui
- Periodiškai valykite prietaisą ir kabelį (ypač ventiliacinės angas F ②)
- Iš pagrindų valydami techninį feną ir ypač oro išėjimo angą/tūtą nenaudokite degių skysčių
- Jeigu prietaisas, nepaisant gamykloje atliktamo kruopštaus gamybos ir kontrolės proceso, vis dėlto sugestų, jo remontas turi būti atliekamas įgaliotose SKIL elektrinių įrankių remonto dirbtuvėse
  - **neišardytą** prietaisą kartu su pirkimo čekiu siųskite tiekėjui arba į artimiausią SKIL firmos įgaliotą elektros prietaisų techninio aptarnavimo tarnybą (adresus bei atsarginių dalių brėžinius rasite [www.skil.com](http://www.skil.com))

## APLINKOSAUGA

- **Nemeskite elektrinių įrankių, papildomos įrangos ir pakuočės į buitinių atliekų konteinerius** (galioja tik ES valstybėms)
  - pagal ES Direktyvą 2012/19/EG dėl naudotų elektrinių ir elektroninių prietaisų atliekų utilizavimo ir pagal vietinius valstybės įstatymus atitarnavę elektriniai įrankiai turi būti surenkami atskirai ir gabenami į antrinių žaliavų tvarkymo vietas, kur jie turi būti sunaikinami ar perdirbami aplinkai nekenksmingu būdu
  - apie tai primins simbolis ⑰, kai reikės išmesti atitarnavusį prietaisą

## ATITIKTIES DEKLARACIJA CE

- Atsakingai pareiškiame, kad skyriuje "Techniniai duomenys" aprašytas gaminys atitinka žemiau pateiktus standartus ir norminius dokumentus: EN 60335, EN 61000, EN 55014 pagal direktyvų 2006/95/EB, 2004/108/EB, 2011/65/ES
- **Techninė byla laikoma:** SKIL Europe BV (PT-SEU/ENG1), 4825 BD Breda, NL

Marijn van der Hoofden  
Operations & Engineering

Olaf Dijkgraaf  
Approval Manager




SKIL Europe BV, 4825 BD Breda, NL

03.09.2014

CE11

MK

Пиштол на топлина

8004

## УПАТСТВО

- Овој алат енаменет за отстранување боја, облынување и лепење пластика и за загревање цевки за собирање; алатот исто така е користен за лемење и калаисување, попуштање на одхезивни спојници и одмрзнување цевки за вода
- Овој алат не е наменет за професионална употреба
- Внимателно прочитајте го и зачувајте го ова упатство за ракување ③

## ТЕХНИЧКИ ПОДАТОЦИ ①

### ЕЛЕМЕНТИ НА АЛАТОТ ②

- A** Прекинувач за вклучување/исклучување
- B** Копчиња за подесување на температурата
- C** Копчиња за подесување на млазот воздух
- D** Дисплеј (LSD)
- E** Заштитен прстен
- F** Отвори за вентилирација
- G** Заштитен млазник за стакло
- H** Рамен млазник
- J** Рефлектирачки млазник
- K** Редукционен млазник
- L** Отвор за воздух/млазник
- M** Алка за бесење

## БЕЗБЕДНОСТ

### ОПШТИ УПАТСТВА ЗА БЕЗБЕДНОСТ

**⚠ ПРЕДУПРЕДУВАЊЕ! Сите упатства мора да се прочитаат.** Непочитување на долу наведените упатства може да предизвика струен удар, пожар и/или тешки повреди. **Чувајте ги сите предупредувања и напатствија за во иднина.** Поимот "електричен алат", кој се користи во понатамошниот текст, се однесува на вашиот електричен алат (со приклучен кабел) и на

електрични алати со погон на батерии (без приклучен кабел).

### 1) БЕЗБЕДНОСТ НА РАБОТНОТО МЕСТО

- a) **Одржувајте го вашето работно место чисто и уредно.** Неуреден или темен работен простор може да предизвика незгоди.
- b) **Немојте да работите со уредот во средина во која има опасност од експлозија, во која има запалливи течности, гасови и прашина.** Електричните алати произведуваат искри кои можат да запалат прашина или пара.
- c) **За време на употребата на електричниот алат, децата и останатите лица држете ги подалеку од местото каде работите.** Одржавање, би можеле да изгубите контрола врз уредот.

### 2) ЕЛЕКТРИЧНА СИГУРНОСТ

- a) **Утинач мора да одговара на приклучокот. Никанко не смее да се прават измени на штекерот. Не користете адаптерски штекер заедно со уредот кој е заштитно заземјен.** Не променети штекери и соодветни приклучоци го намалуваат ризикот од електричен удар.
- b) **Избегнувајте допир на телото со заземјени површини, како што се цевки, радијатори, рерни и фрижидери.** Постои зголемена опасност од струен удар, доколку Вашето тело е заземјено.
- c) **Чувајте го уредот подалеку од дожд и влага.** Продирањето на вода во електричниот уред ја зголемува опасноста од струен удар.
- d) **Не злоупотребувајте го приклучниот кабел за носење, бесење на уредот или за извлекување на штекерот од мрежниот приклучок. Чувајте го кабелот подалеку од топлина, масло, остри рабови или деловите на апаратот кои се движат.** Оштетени или заплеткани кабли ја зголемуваат опасноста од струен удар.
- e) **Кога го употребувате полначот надвор, користете продолжен кабел кој е соодветен за употреба на отворен простор.** Примената на продолжен кабел соодветен за работа на отворен простор ја намалува опасноста од струен удар.
- f) **Доколку не може да се избегне работа со електричниот алат во влажна средина, користете прекинувач за струјна заштита при технички проблеми.** Употребата на прекинувачот за струјна заштита при технички проблеми го намалува ризикот од електричен удар.

### 3) БЕЗБЕДНОСТ НА ЛУЃЕ

- a) **Бидете внимателни, внимавајте што правите и постапувајте внимателно додека работите со електричниот алат. Не работете со уредот доколку сте уморни или под дејство на дрога, алкохол или лекови.** Еден момент на невнимание при употребата може да доведе до сеизозни повреди.
- b) **Носете ја личната заштитна опрема и секогаш носете заштитни очила.** Носењето на личната заштитна опрема, како што е маската за прашина, безбедносна облека која не се лизга, заштитен шлем или штитник за слух, зависно од видот и примената на електричниот алат, ја намалува опасноста од повреда.

- c) **Избегнувајте невнимателно вклучување за време на работата. Осигурајте се прекинувачот да биде во “OFF” позиција пред да го ставите штекерот во приклучокот.** Доколку го носите електричниот алат со прстот на прекинувачот или го приклучувате апаратот кој е приклучен со напојување на струја, може да предизвикате незгоди.
  - d) **Пред вклучување на уредот, тргнете ги алатите за подесување или клучот за навртување.** Алатот или клучот кој се наоѓа во вртливиот дел на уредот, може да предизвика незгода.
  - e) **Не ги преценувајте своите способности. Завземете сигурен и стабилен став и во секој момент одржувајте рамнотежа.** На тој начин можете подобро да го контролирате уредот во неочекувани ситуации.
  - f) **Носете соодветна облека. Не носете широка облека или нанит. Косата, облеката и раванците држете ги подалеку од деловите кои се движат.** Комотната облека, накиот или долгата коса може да бидат фатени во деловите кои се движат.
  - g) **Доколку може да се монтираат направи за вшмукување и фаќање прашина, проверете дали се вклучени и дали можат исправно да се користат.** Примената на овие направи ја намалува опасноста од прашината.
- ### 4) ВНИМАТЕЛНА УПОТРЕБА И РАКУВАЊЕ СО ЕЛЕКТРИЧНИТЕ АЛАТИ
- a) **Не го преоптеретувајте уредот. При вашата работа користете го предвидениот електричен алат за таа употреба.** Со соодветниот електричен алат ќе работите подобро и посигурно во наведената функционална област.
  - b) **Не користете електричен алат чиј прекинувач е неисправен.** Електричниот алат кој повеќе не може да се вклучува и исклучува е опасен и мора да се поправи.
  - c) **Извлекете го штекерот од приклучокот пред извршување на било какви подесувања на апаратот, замена на приборот или складирање.** Со овие мерки на внимателност ќе се избегне невнимателното вклучување на уредот.
  - d) **Тргнете го електричниот алат кој не го користите од допирот на децата. Не допуштајте работа со уредот на лица кои не се запознаени со него или кои го немаат прочитано ова упатство.** Електричните алати се опасни доколку со нив работат неискусни лица.
  - e) **Одржувајте го уредот со внимание. Имајте контрола околу тоа дали движечните делови на уредот работат беспрекорно и дали не се заглавени, дали деловите се снршени или оштетени до таа мерка што не може да се обезбеди функционирање на уредот. Пред примената, овие оштетени делови треба да се поправат.** Причина за многу незгоди е лошо одржуваниот електричен алат.
  - f) **Алатите за сечење одржувајте ги остри и чисти.** Внимателно одржувањето алати за сечење со остри

очтрици помалку ќе се заглавуваат и со нив работата ќе биде полесна.

- g) **Електричниот алат, прибор, работни алати итн., треба да ги користите според овие упатства, и на начин кој е опишан за соодветниот тип на уред. При тоа, земете ги предвид работните услови и работата која се извршува.** Употребата на електричните алати за други цели кои не се предвидени, може да предизвика опасни ситуации.

#### 5) СЕРВИСИРАЊЕ

- a) **Поправката на Вашиот уред препуштете им ја само на обучен, стручен кадар на овластен сервисер, и само со оригинални резервни делови.** На тој начин ќе се обезбеди уредот да остане со зачувана безбедност.

### БЕЗБЕДНОСНИ УПАТСТВА ЗА ПИШТОЛИ НА ТОПЛИНА

#### ПРЕД УПОТРЕБА:

- Пред секоја употреба проверете го функционирањето на алатот и во случај на неисправност однесете го на поправка кај стручно лице; никогаш сами не отварајте го алатот
- Проверете ги кабелот и приклучокот пред секоја употреба и во случај на оштетувања, однесете го кај квалификувано лице да ги замени
- Продолжениот кабел кој го користите, мора да биде сосема одмотан и безбеден, со капацитет од 16 А
- Повремено проверете го продолжниот кабел и во случај на оштетување заменете го
- Алатот и неговиот прибор користете ги според ова упатство за употреба и на начин што е пропишан за овој алат; употребата на алатот за работи кои не се вообичаени за овој алат можат да доведат до опасност
- Овој алат не треба да го користат лица под 16 години
- Овој алат е наменет за употреба за лица (вклучувајќи и деца) со намалени физички, сензорски или ментални способности или со помало искуство и знаење, и доколку лицето задолжено за нивна безбедност не им даде соодветна помош и упатство за тоа како да се користи алатот
- Секогаш проверувајте напонот да е ист со оној кој е назначен на плочката на алатот
- Проверете дали алатот е исклучен кога го приклучувате во приклучокот

#### ВО ТЕКОТ НА УПОТРЕБАТА:

- **Внимателно ракувајте со алатот; спречете пожар и изгоретини**
  - не допирајте го отворот/млазникот за воздух и загреаниот предмет; стануваат многу топли
  - не доближувајте го премногу отворот/млазникот до предметот врз кој работите
  - не насочувајте го млазот со топол воздух предолго на иста површина
  - не гледајте никогаш во отворот/млазникот за воздух
  - носете заштитни ракавици и заштитни очила
  - не насочувајте го млазот на топол воздух кон други лица или животни
  - не користете го алатот за сушење коса
  - не оставајте го алатот без контрола

- не користете го алатот во близина на запалливи гасови или запалливи материјали (**постои ризик од експлозија**)
- кога работите со пластика, бои, лакови или слични материји, може да дојде до создавање запалливи и отровни гасови; информирајте се претходно за материјалите со кои ќе работите
- имајте предвид и дега топлината може да се прошири и до запалливите материји што се наоѓаат надвор од вашиот домен
- од безбедносни причини, секогаш покрај себе држете кофа со вода или апарат за гаснење пожар во случај некоја од материите да се запали
- **Спречете струен удар**
  - никогаш ништо не внесувајте во отворот/млазникот за воздух
  - избегнувајте контакт на телото со заземјени површини (на пр. цевки, шпорети, синцири, ладилници)
  - осигурајте се алатот да не се навлажни
  - не го користете алатот во влажни места
  - доколку алатот го користите надвор, поврзете го преку сигурносен прекинувач за струја заземјен со струја на исклучување од најмногу 30mA и користете продолжен кабел наменет за надворешна употреба и опремен со водоотпорен приклучок за контакт
- **Ракувајте внимателно со кабелот**
  - кабелот секогаш мора да биде оддалечен од млазот на топол воздух и од отворот/млазникот за воздух
  - држете го кабелот понастрана од топлина, масло и остри рабови
  - не го носете алатот држејќи го за кабелот и не го тргајте за да го исклучите од приклучокот
  - не го закачувајте алатот за кабелот
- Алатот никогаш не го користете во комбинација со хемиски растворувачи
- Работниот простор мора соодветно да биде проветрен
- Одржувајте го работниот простор чист и добри осветлен
- Не им дозволувајте на пристап до работниот простор на деца
- Водете сметка децата да не си играат со алатот
- Налети на струја доведуваат до краткотрајни падови на напонот; под неповолни услови на напојување може да биде оштетена другата опрема (доколку имоенданцијата на напојување со електрична енергија е помала од 0,127 + j0,079 ома, не постои можност да дојде до нарушувања); доколку ви е потребно дополнително објаснување, можете да се обратите до локалната служба за снабдување со електрична енергија
- Бидете внимателни; водете сметка за тоа што работите, бидете разумни и не ракувајте со алтот доколку сте уморни
- Заземете безбедно растојание; не се истегајте, особено на скали или постолја
- Проверете дали алатот е исклучен пред да го оставите

- Во случај да дојде до електричен или механички дефект, веднаш исклучете го алатот и исклучете го од приклучокот

#### ПО УПОТРЕБА:

- Исклучете го алатот и извлекете го од приклучокот
- **Оставете го алатот најмалку 30 минути да се олади пред да го вратите на место**
- Закачете го алатот за алката М ② или поставете го на задната страна во исправна положба; притоа проверете во близина да не се наоѓаат некои запалливи Мтеријали или запалливи гасови
- Никогаш не чувајте го/оставајте алатот надвор
- Чувајте го алатот на суво и заклучено место, надвор од дофатот на деца

## УПОТРЕБА

- Прекинувач за вклучување/исклучување со 3 подесувања за температура ④
  - ! **проверете дали е прекинувачот А во позиција “0” пред приклучување**
  - вклучете го алатот со ставање на прекинувачот А во саканата позиција:
    - I = 50°C + млазот воздух 250-500 литри во минута
    - II = 50°C ... 650°C, млазот воздух 250-500 литри во минута
  - при користење на алатот прв пат, може да дојде до чад; ова е нормална појава и набргу ќе престане
  - исклучете го алатот со ставање на прекинувачот А во позицијата “0”
- Усогласување на температурата ⑤
  - подесете ја целната температура во фази од 10°C така што накусо ќе ги притискате В копчињата
  - со последователно притискање на копчињата В саканата температура континуирано се зголемува/намалува се додека копчињата не се отпуштат или не се постигне минимална/максимална температура
  - кога ќе се постигне саканата температура, дисплејот D прикажува актуелна растечка/опаѓачка температура се додека не се постигне саканата температура (само во позицијата “II”)
  - саканата температура ќе биде запаметена во меморијата на алатот, на тој начин што секогаш по вклучувањето алатите ќе се загреат до последната избрана сакана температура
- Поставување на воздушниот млаз ⑥
  - поставете го саканиот воздушен млаз на 50 л/мин со кратко притискање на копчињата С
  - приказот D ја покажува вистинската поставка на воздушниот млаз преку графикон
- Општа употреба
  - подесете ја вистинската температура на тој начин што ќе направите тест на невидливиот дел на работната површина; почнете со подесување на најниската температура
  - температурата опаѓа при оддалечување на отворот/млазникот за воздух од предметот врз кој работите
  - потребната температура е во зависност од материјалот врз кој се работи

- Стациарна употреба ⑦
  - поставете го алатот на задната страна во исправна положба
  - проверете дали површината е чиста и без прав; загадениот воздух го оштетува моторот
  - воздушниот млаз не смее да е насочен кон Вас
  - обезбедете го кабелот за да спречите соборување на алатот
  - не допирајте го отворот/млазникот за воздух
  - внимавајте ништо да не навлезе во отворот/млазникот за воздух
  - внимателно држете го алатот со едната рака додека со другата исклучувате и потоа оставете го да се олади
- Користење кај тешко достапни места
  - отстранете го прстенот Е ②, со тоа го пуштате на металниот отвор за воздух на поголемо растојание
  - ! **внимавајте на зголемиениот ризик од пожар и изгореници**
- Држење и насочување на алатот ⑧
  - алатот држете го со една рака
  - отворите за ладење F ② држете ги отворени
- Стандарден прибор ②
  - заштитен млазник за стакло G (за насочување на воздушниот млаз)
  - рамен млазник H (за проширување на воздушниот млаз)
  - рефлектирачки млазник J (за рефлектирање на воздушниот млаз)
  - редукционен млазник K (за концентрирање на воздушниот млаз)
- НАПОМЕНИ:
  - секој пример на употреба (**освен отстранување боја во близина на стакло**) може да се изведе без прибор; меѓутоа употребата на соодветен прибор ја олеснува работата и значително го подобрува квалитетот на резултатите
  - овој алат може да се користи и во комбинација со BOSCH- и друга вообичаено достапна опрема за топлотни пиштоли
- Ставање/вадење на приборот
  - едноставно навлечете го делот на приборот на отвор L ②
  - отстранете го делот се негово извлекување во предниот дел, откога се има оладено
  - ! **приборот поставете го само кога отворот за воздух е студен, кога прекинувачот е во позицијата “0” и кога приклучокот е исклучен**
- Алка за бесење M ⑨
  - за лесно чување на алатот
  - ! **оставете го алатот најмалку 30 минути да се олади пред да го вратите на место**
- Постојаната контрола на топлината (заштита од преоптоварување)
  - Го заштитува загреаниот елемент од оштета кога алатот е преоптоварен, без да има потреба да се стопира и/или да се олади одреден период
  - кога температурата ќе постане превисока, греачот самиот се исклучува, додека моторот продолжува со работа произведувајќи студен воздух

- кога температурата ќе се спусти на доволно ниво (што трае неколку секунди), греачот автоматски ќе се вклучи

**! кога алатот ќе се исклучи по работа на висока температура и ќе се вклучи одново по кратна пауза, ќе измине извесно време пред елементот за загревање да ја постигне саканата температура**

## СОВЕТИ ЗА ПРИМЕНА

- Отстранување боја/лак <sup>(10)</sup>
  - користете чист, остар стругач
  - кога бојата ќе омекне, стружете поцврсто
  - пробајте да утврдите колку долго е потребно да применувате топлина за најдобри резултати
  - омекнатата боја веднаш отстранете ја со стружење, во спротивно повторно ќе се стврдне
  - алатот држете го под агол од 30° до 40° во однос на предметот врз кого работите
  - бојата и отпадоците веднаш отстранете ги од стружачот за да не се запалат
  - секаде каде што е можно, стругајте со рапавиот дел на дрвото
  - не насочувајте го млазот топол воздух предолго кон иста површина
  - внимателно отстранете ги сите остатоци од боја
  - темелно исчистете ја работната површина откако ќе завршите со работа

**! бидете внимателни при вадењето слоеви боја во постариот згради(објекти); можно е да биле употребени бои што содржат олово кое е многу отровно**

**! изложување дури и на најмало количество олово може да предизвика сериозни оштетувања на мозокот и на нервиот систем; малите деца и новороденчиња се особено чувствителни**

**! оловната боја нека ја отстрани стручно лице без користење фен со топол воздух**

**ДРУГИ ПРИМЕРИ НА УПОТРЕБА:**

  - ★ отстранување (синтетички) сидни облоги- Отстранување боја/лак во допир со стакло <sup>(11)</sup>
  - **сеногаш** користете заштитен млазник за стакло G кога работите во контакт со стакло
  - отстранете ја бојата со стругалка

**! не користете алат за отстранување боја на прозорците со метална рамна; металот спроведува топлина што може да доведе до прскање на стаклото**
- Отстранување налепници (користете рамен млазник H) <sup>(12)</sup>
  - многу налепници омекнуваат при загревање и на тој начин овозможуваат лепливите врски да се одвојат и вишокот лепак да се отстрани

**! загревајте ја налепницата од горната страна**

**! сеногаш водете сметка да не ја прегреете подлогата**

**ДРУГИ ПРИМЕРИ НА УПОТРЕБА:**

  - ★ отстранување линолеум и винилски подни облоги
  - ★ отстранување покривки изработени од синтетски влакна

- ★ отстранување фурнири/лепење фурнир ленти
  - ★ омекнување/топење катран, калај, битумен, смола (користете рамен млазник H)
  - ★ восочене (скии, намештај) (користете рамен млазник H) <sup>(13)</sup>
  - ★ отстранување смола
  - ★ олабавување рѓосани/премногу стегнати метални завртки, матици и завртки
  - ★ отстранување восок од свеќи (**немојте да ја прегревате подлогата**)
  - ★ спојување скршени свеќи/исправување свеќи во претходната состојба
- Стеснување <sup>(14)</sup>
  - користете рефлектирачки млазник J или редуционен млазник K
  - изберете цевка за стеснување со пречник што одговара на предметот врз кој работите
  - рамномерно загревајте ја цевката за стеснување

**ДРУГИ ПРИМЕРИ НА УПОТРЕБА:**

  - ★ завивање со валкање
- Лемење водни цевки <sup>(15)</sup>

Овој алат е најсоодветен за работа со меко лемење (точка на топење под 400°)

  - користете рефлектирачки млазник J
  - темелно исчистете ги двете спојни места пред да пристапите кон лемење
  - претходно загрејте ги двата дела и нанесите калај (**не користете калај врз база на олово**)
- Растопување смрзнати цевки за вода <sup>(16)</sup>
  - користете рефлектирачки млазник J
  - рамномерно загрејте го смрзнатиот дел

**! често е тешко да се разликуваат цевките за вода од цевките за гас; загревањето цевки за гас е исклучително опасно- постои ризик од експлозија**

**ДРУГИ ПРИМЕРИ НА УПОТРЕБА:**

  - ★ растопување цевки за вода што се изработени од PVC (**позиција I, макс. 60°**)
  - ★ одмрзнување смрзнати брави на автомобили (**позиција I, макс. 60°**) (користете редуционен млазник K)
  - ★ одмрзнување ладилници (**не оштетувајте го пластичното кукйште**)
  - ★ одмрзнување смрзнати скали и тротоари
- Обликување пластични цевки
  - користете рефлектирачки млазник J
  - наполнете цевка со песок и запечатете ја на двата краја за да избегнете искривување на цевката
  - рамномерно загрејте ја цевката на тој начин што ќе ја поместувате од едната страна кон другата

**ДРУГИ ПРИМЕРИ НА УПОТРЕБА:**

  - ★ обликување пластика со ниска точка на топење (полиетилен, PVC и сл.)
  - ★ обликување пластика со висока точка на топење (акрилно стакло, плексиглас и сл.)
  - ★ обликување покривки изработени од синтетски влакна
  - ★ обликување и свиткување дрво (моделарство)
- Лепење пластика
  - шавот што се заварува мора да биде исчистен и не смее да биде замастен

- држете го прачката за варење блиску до шавот за заварување и применете топлина додека прачката за варење не стане леплива
- отстранете го изворот на топлина кога шавот за лемене ќе се пополни

#### ДРУГИ ПРИМЕРИ НА УПОТРЕБА:

- ★ поправање даски за сурфање, скии и други синтетски спортски производи (користете разен млазник H)
- ★ заварување PVC материјали
- ★ порамнување испакнатини по налепување PVC етикети
- ★ спојување градинарски црева (користете рефлектирачки млазник J)
- Сушење
  - ! **алатот користете го за сушење на ниска или средна температура (позиција 1 или 2) и од поголемо растојание меѓу алатот и предметот врз кого работите**
  - сушење боја, лак, гипс, малтер и гипсен малтер
  - сушење влажна дрвена граѓа пред пополнување
  - брзо сушење подебело нанесена полнетица или лепило
  - сушење споеви во згради пред нанесување изолација или гитер
  - сушење споеви и пукнатини во бродоградбата
- Чистење/дезинфекција
  - дезинфекција на простори за чување зајаци, голубарници и сл. (**претходно отстранете ги љубимците**)
  - борба против колонии мравки
  - борба против црвоточини и инсекти (**држете го алатот на соодветно растојание од дрвото**)
  - отстранување плевел

## ОДРЖУВАЊЕ/СЕРВИСИРАЊЕ

- Овој алат не е наменет за професионална употреба
- Алатот и кабелот секогаш да се одржуваат чисти (особено отворите за ладење F ②)
- Никогаш не користете лесно запалливи течности за чистење на фенот за топол воздух, а особено не за чистење на отворите/млазникот
- Доколку алатот и покрај внимателното работење и контрола некогаш откаже, поправката мора да ја изврши некој овластен SKIL сервис за електрични алати
  - во случај на примедба, испратете го алатот **нерасклопен**, заедно со сметкопотврдата, до вашиот продавач или најблискиот SKIL сервис (адресите се наведени на [www.skil.com](http://www.skil.com))

## ЗАШТИТА НА ЖИВОТНАТА СРЕДИНА

- **Не се ослободувајте од елентични алати, уреди или амбалажа преку нивно фрлање во домашното губре** (само за земјите на ЕУ)
  - според Европската Директива 2012/19/ЕС за ослободување од елентична и електронска опрема и нејзина имплементација во согласност со националните закони, електричните алати кои го достигнале крајот на својот животен век мора

- да бидат собрани посебно и да бидат вратени во соодветен објект за рециклирање
- симболот (17) ќе ве потсетува на ова кога ќе дојде време алатот да го фрлите

## ДЕКЛАРАЦИЈА ЗА УСОГЛАСЕНОСТ CE

- Со целосна одговорност изјавуваме дека производот опишан кај “Технички податоци” е усогласен со следните стандарди или документи за стандардизација: EN 60335, EN 61000, EN 55014 во согласност со одредбите во директивите 2006/95/EG, 2004/108/EG, 2011/65/EU
- **Техничко досие во:** SKIL Europe BV (PT-SEU/ENG1), 4825 BD Breda, NL

Marijn van der Hoofden  
Operations & Engineering

Olaf Dijkstraaf  
Approval Manager




SKIL Europe BV, 4825 BD Breda, NL

03.09.2014

CE11

AL

**Pistoletë me ajër të nxehtë 8004**

## HYRJE

- Kjo pajisje është e projektuar për heqjen e bojës, dhënen e formës dhe shkrijen e plastikës dhe ngrohjen e tubave që tkurren me nxehtësi; pajisja është e përshtatshme edhe për ngjitjen dhe veshjen, heqjen e lidhjeve me ngjitje dhe shkrijen e tubave të ujit
- Kjo vegël nuk është e projektuar për përdorim profesional
- Lexoni dhe ruani këtë manual të përdorimit ③

## TË DHËNAT TEKNIKE ①

### ELEMENTET E PAJISJES ②

- A** Çelësi i ndezjes/fikjes
- B** Butonat për përcaktimin e temperaturës
- C** Butonat për përcaktimin e rrymës së ajrit
- D** Ekрани (LCD)
- E** Unaza mbrojtëse
- F** Të çarët e ajrosjes
- G** Gypi i mbrojtjes së xhamit
- H** Gypi i rrafshët
- J** Gypi i reflektorit
- K** Gypi i zvogëlimit
- L** Dalja/gypi i ajrit
- M** Unaza e varur

# SIGURIA

## UDHËZIMET E PËRGJITHSHME PËR SIGURINË

**PARALAJMËRIM!** Lexoni të gjitha paralajmërimet e sigurisë dhe të gjitha udhëzimet. Mosrespektimi i paralajmërimeve dhe udhëzimeve mund të rezultojë në goditje elektrike, zjarr dhe/ose dëmtime të rënda. **Ruani të gjitha paralajmërimet dhe udhëzimet për referencë në të ardhmen.** Termi "pajisje elektrike" në paralajmërimi i referohet pajisjes elektrike që përdoret nga prizat (me kablo) ose pajisjes elektrike me bateri (pa kablo).

### 1) SIGURIA E ZONËS SË PUNËS

- Mbajeni zonën e punës të pastër dhe të ndriçuar mirë.** Zonat e çrregullta ose të errëta janë një ftesë për aksidente.
- Mos i përdorni pajisjet elektrike në situata me mundësi shpërthimi, si në prani të lëngjeve, gazeve ose pluhurave të djegshëm.** Pajisjet elektrike shkaktojnë shkëndija që mund të ndezin pluhurat ose avujt.
- Mbajini fëmijët dhe personat e tjerë larg gjatë përdorimit të veglës së punës.** Tërheqja e vëmendjes mund të shkaktojë humbjen e kontrollit.

### 2) SIGURIA ELEKTRIKE

- Spinat e veglës së punës duhet të përputhen me prizën.** Mos modifikoni kurrë spinën në asnjë mënyrë. Mos përdorni asnjë spinë përshtatëse me veglat e punës me tokëzim. Spinat e pamodifikuara dhe prizat përshtatëse do të zvogëlojnë rrezikun e goditjes elektrike.
- Shmangni kontaktin trupor me sipërfaqe të tokëzuara si tuba, radiatorë, soba dhe frigoriferë.** Ka një rrezik më të madh të goditjeve elektrike nëse trupi është i tokëzuar.
- Mos ekspozoni veglat e punës në shi ose në kushte me lagështi.** Uji që hyn në veglën e punës do të rritë rrezikun e goditjes elektrike.
- Mos abuzoni me kordonin.** Mos e përdorni kurrë kordonin për transportin, tërheqjen ose heqjen e spinës së veglës së punës. Mbajeni kordonin larg nga nxehtësia, vaji, anë të mprehta ose pjesët që lëvizin. Kordonët e dëmtuar ose e bllokuar rrisin rrezikun e goditjes elektrike.
- Kur përdorni një vegël pune në mjedise të jashtme, përdorni një kordon zgjatues të përshtatshëm për përdorim në mjedise të jashtme.** Përdorimi i një kordoni të përshtatshëm për përdorime në mjedise të jashtme zvogëlon rrezikun e goditjes elektrike.
- Nëse përdorimi i veglës së punës në një vend me lagështi është i pashmangshëm, përdorni një automat qarku me shkarkesë me tokëzim.** Përdorimi i një automati me shkarkesë me tokëzim zvogëlon rrezikun e goditjes elektrike.

### 3) SIGURIA PERSONALE

- Qëndroni në gatishmëri, shikoni se çfarë po bëni dhe përdorni gjykimin kur përdorni një vegël pune.** Mos e përdorni një vegël pune kur jeni i lodhur ose nën ndikimin e ilaçeve, alkoolit ose mjekimit. Një moment humbie e vëmendjes gjatë përdorimit të veglave të punës mund të shkaktojë dëmtime të rënda personale.
- Përdorni pajisje personale mbrojtëse.** Mbani gjithmonë pajisje për mbrojtjen e syve. Pajisjet

mbrojtëse si maska kundër pluhurit, këpucët që nuk rrëshqasin, kaskat ose pajisjet për mbrojtjen e veshëve për kushtet përkatëse do të zvogëlojnë dëmtimet personale.

- Parandaloni ndezjen e rastësishme.** Sigurohuni që çelësi është në pozicionin fikur para se të lidhni burimin e energjisë dhe/ose baterinë, para se të merrni ose të transportoni pajisjen. Transportimi i veglave të punës me gishtin në çelës ose aktivizimi i veglave të punës që kanë çelësin të ndezur është një ftesë për aksidente.
- Hiqni çdo çelës ose çelës përshtatës para ndezjes së veglës së punës.** Një çelës i lënë i lidhur me një pjesë rrotulluese të veglës së punës mund të shkaktojë dëmtime personale.
- Mos u zgjasni.** Mbani një vendosje të mirë të këmbëve dhe një ekuilibër të mirë në çdo moment. Kjo gjë bën të mundur një kontroll më të mirë të veglës së punës në situata të papritura.
- Vishuni në mënyrën e duhur.** Mos vishni veshje të gjera ose bizhuteri. Mbani flokët, veshjet dhe dorashkat larg nga pjesët lëvizëse. Veshjet e gjera, bizhuteritë ose flokët e gjatë mund të kapen nga pjesët në lëvizje.
- Nëse janë ofruar pajisje për lidhjen e pajisjeve të mbledhjes dhe nxjerrjes së pluhurave, sigurohuni që ato të jenë të lidhura dhe të përdoren si duhet.** Përdorimi i mbledhjes së pluhurave mund të zvogëlojë rreziqet në lidhje me pluhurat.
- PËRDORIMI DHE KUJDESI PËR VEGLËN E PUNËS**
  - Mos ushtroni forcë mbi veglën e punës.** Përdorni veglën e punës të duhur për përdorimin tuaj. Vegla e punës e duhur do të realizojë një punë më të mirë dhe më të sigurt dhe me shpejtësinë që ajo është e projektuar.
  - Mos përdorni veglën e punës nëse çelësi nuk e ndez apo e fik.** Çdo vegël pune që nuk mund të kontrollohet me anë të çelësit është e rrezikshme dhe duhet të riparohet.
  - Shkëputni spinën nga burimi i energjisë dhe/ose baterinë nga vegla e punës para se të bëni rregullime të tjera, të ndryshoni aksesorët ose të ruani veglat e punës.** Këto masa parandaluese të sigurisë ulin rrezikun e ndezjes aksidentale të veglës së punës.
  - Mbani veglat e punës larg fëmijëve dhe mos lejoni personat e pamësuar me veglën e punës ose këto udhëzime për përdorimin e pajisjes.** Veglat e punës janë të rrezikshme në duart e përdoruesve të patrajnuar.
  - Mirëmbani veglat e punës.** Kontrolloni për mospërshtatje ose bllokim të pjesëve lëvizëse, thyerje të pjesëve dhe gjendje të tjera që mund të ndikojnë në funksionimin e veglës së punës. Nëse dëmtohet, riparohet, riparohet veglën e punës para përdorimit. Shumë aksidente shkaktohen nga veglat e punës jo të mirëmbajtura si duhet.
  - Mbajini pajisjet prerëse të pastra dhe të mprehta.** Pajisjet e prerjes të mirëmbajtura dhe me anë të mprehta kanë më pak mundësi për t'u bllokuar dhe janë më të lehta për t'u kontrolluar.
  - Përdorni veglat e punës, aksesorët dhe puntot, etj. në përputhje me këto udhëzime, duke marrë**



**parasysh kushtet e punës dhe punën që do të kryhet.** Përdorimi i veglave për përdorime të ndryshme nga ato të përcaktuara mund të shkaktojë rrezique.

#### 5) SHËRBIMI

a) **Shërbimi i veglës së punës duhet të kryhet nga një person i kualifikuar për riparimet duke përdorur vetëm pjesë ndërrimi identike.** Kjo gjë do të sigurojë ruajtjen e sigurisë së veglave të punës.

### UDHËZIMET E SIGURISË PËR PISTOLETAT ME AJËR TË NXEHTË

#### PARA PËRDORIMIT:

- Kontrolloni funksionimin e pajisjes para çdo përdorimi dhe, në rast defekti, riparoheni nga një person i kualifikuar; mos e hapni kurrë vetë pajisjen
- Kontrolloni kordonin e pajisjes dhe vendoseni në spinë para çdo përdorimi dhe, nëse dëmtohet, zëvendësojeni nga një person i kualifikuar
- Përdorni kordonë të papapur dhe të sigurt për zgjatime, me një kapacitet 16 amper
- Kontrolloni rregullisht kordonin zgjatues dhe zëvendësojeni nëse dëmtohet
- Përdorni pajisjen dhe aksesorët e saj në përputhje me këtë manual përdorimi dhe në mënyrë që kërkohet për pajisjen; përdorimi i pajisjes për punë të ndryshme nga ato që parashikohet të kryhen normalisht nga pajisja mund të shkaktojë situata të rrezikshme
- Kjo pajisje nuk duhet të përdoret nga personat nën moshën 16 vjeç
- Kjo pajisje nuk është projektuar për t'u përdorur nga persona (përfshirë fëmijët) me kapacitete të zvogëluara fizike, ndijore ose mendore, ose me mungesë të përvojës dhe njohurive, nëse nuk janë udhëzuar ose mbikëqyrur në lidhje me përdorimin e pajisjes nga një person përgjegjës për sigurinë e tyre.
- Kontrolloni gjithmonë që voltazhi i energjisë është i njëjtë me voltazhin e treguar në etiketën e veglës
- Sigurohuni që pajisja të jetë e fikur kur ta vendosni në prizë

#### GRATË PËRDORIMIT:

• **Mbajeni me kujdes pajisjen; parandaloni zjarrin dhe djegiet**

- mos e prekni daljen/gypin e ajrit dhe objektin e nxehtë; ato nxehen jashtëzakonisht shumë
- mos e mbani daljen/gypin e ajrit shumë afër me objektin me të cilin po punoni
- mos e drejtoni rrymën e ajrit të nxehtë drejt të njëjtës sipërfaqe për një kohë të gjatë
- mos shikoni kurrë drejtpërdrejt në daljen/gypin e ajrit
- mbani doreza mbrojtëse dhe përdorni syze sigurie
- mos e drejtoni kurrë rrymën e ajrit të nxehtë drejt personave dhe kafshëve
- mos e përdorni kurrë pajisjen për të tharë flokët
- mos e lini veglën të punojë pa mbikëqyrje
- mos e përdorni kurrë pajisjen në afërsi të gazeve ose materialeve të djegshme (**rezik shpërthimi**)
- kur punoni me plastikë, bojë, llak dhe materiale të ngjashme mund të çlirohen gaze të djegshme dhe helmuese; informohuni paraprakisht për materialet ku do të punoni
- kini parasysh se nxehtësia mund të transferohet në materiale të djegshme jashtë këndit të shikimit

- për të qenë të sigurt, mbani një kovë me ujë ose fikëse zjarr pranë, në rast se një material merr zjarr
- **Parandaloni goditjen elektrike**
- mos shpuni kurrë daljen/gypin e ajrit
- shmangni kontaktin trupor me sipërfaqet e tokëzuara (p.sh. tubat, radiatorët, raftet, frigoriferët)
- sigurohuni që pajisja të mos njomet
- mos e përdorni pajisjen në vende të njoma
- kur e përdorni në ambiente të jashtme, lidhni pajisjen me një automat të korrentit të defektit (FI) me rrymë aktivizuese maksimumi 30 mA, dhe përdorni vetëm një kordon zgjatues të projektuar për përdorim në ambiente të jashtme me një prizë kundër ujit
- **Mbani me kujdes kordonin**
- mbajeni kordonin gjithmonë larg nga rryma e ajrit të nxehtë dhe dalja/gypi i ajrit
- mbajeni kordonin larg nga nxehtësia, vaji dhe anët e mprehta
- mos e mbani pajisjen nga kordoni dhe mos tërhiqni kordonin për ta shkëputur nga priza
- mos e varni pajisjen nga kordoni
- Mos e përdorni kurrë pajisjen në ndërthurje me hollues kimikë
- Sigurohuni që zona e punës të jetë e ajrosur mirë
- Mbajeni zonën e punës të pastër dhe të ndriçuar mirë
- Mbajeni fëmijët larg nga zona e punës
- Sigurohuni që fëmijët të mos luajnë me pajisjen
- Korrenti gjatë kohës së pikut shkakton rënie të shkurtra të voltazhit; në kushtet të pafavorshme të furnizimit me energji, pajisjet e tjera mund të preken (nëse rezistenca e sistemit për furnizimin elektrik është më e ulët se 0,127 + j0,079 Ohm, dhe mund të ndodhin çrregullime); nëse keni nevojë për më shumë sqarime, mund të kontaktoni me autoritetin e furnizimit me energji
- Jini të vëmendshëm; shikoni se çfarë po bëni, përdorni gjykimin tuaj dhe mos e përdorni pajisjen kur jeni i lodhur
- Mbani një pozicionim të sigurt; mos u zgjasni, simodos mbi shkallë dhe mbi skela
- Sigurohuni që pajisja është e fikur para se ta lini
- Në rast të një defekti elektrik ose mekanik, fikni menjëherë pajisjen dhe hiqni spinën

#### PAS PËRDORIMIT:

- Fikni pajisjen dhe hiqni spinën
- **Lejoni që pajisja të ftohet për të paktën 30 minuta para se ta vini në magazinë**
- Vareni pajisjen në unazën varëse M ② ose vendoseni në pjesën e pasme në drejtim vertikal; kur të bëni këtë gjë sigurohuni që nuk ka materiale ose gaze të djegshme në afërsi
- Mos e magazinoni/lini veglën në ambiente të jashtme
- Magazonojeni pajisjen në një vend të thatë dhe të mbyllur, larg nga fëmijët

### PËRDORIMI

- Çelësi i ndezjes/fikjes me 2 parametra të temperaturës ④  
! **kontrolloni nëse çelësi A është në pozicionin "0" para se ta vini në prizë**
- ndizni pajisjen duke shtyrë çelësin A në pozicionin e dëshiruar:
  - I = 50°C + rryma e ajrit 250-500 litra/minutë
  - II = 50°C ... 650°C, rryma e ajrit 250-500 litra/minutë

- kur ta përdorni për herë të parë, nga pajisja mund të çlirohet pak tym; kjo gjë është normale dhe do të ndalojë shpejt
  - fikni pajisjen duke shtyrë çelësin A në pozicionin "0"
  - Përcaktimi i temperaturës ⑤
    - caktoni temperaturën e dëshiruar si objektivi në hapa me 10°C duke shtypur lehtë butonat B
    - shtytja e vazhdueshme e butonave B rrit/zvogëlon vazhdimisht temperaturën objektive deri sa të lëshohen butonat ose të arrihet temperatura minimale/ maksimale
    - pasi të caktohet temperatura objektive, ekrani D tregon temperaturën aktuale në rritje/rënie deri sa të arrihet temperatura e dëshiruar (vetëm në pozicionin "II")
    - temperatura objektive do të ruhet në memorien e pajisjes, në mënyrë që në çdo herë që ndizni pajisjen ajo do të nxehtë në temperaturën e fundit të zgjedhur
  - Përcaktimi i rrymës së ajrit ⑥
    - caktoni rrymën e ajrit e dëshiruar si objektivi në hapa me 50 l/min duke shtypur lehtë butonat C
    - ekrani D tregon përcaktimin aktual të rrymës së ajrit në një grafik më shirita
  - Përdorimi i përgjithshëm
    - përcaktoni temperaturë e duhur duke provuar në një pjesë që nuk duket në material; filloni me një parametër të ulët të temperaturës
    - temperatura bie kur rritet distanca midis daljes/gypit të ajrit dhe materialit të punës
    - temperatura e kërkuar varet nga materiali ku do të punoni
  - Përdorimi i palëvizur ⑦
    - vendoseni pajisjen mbi pjesën e pasme në pozicion vertikal
    - sigurohuni që sipërfaqja të jetë e pastër dhe pa pluhura; ajri i ndotur dëmton motorin
    - sigurohuni që rryma e ajrit të jetë e drejtuar larg jush
    - siguroni kordonin për të parandaluar tërheqjen e pajisjes
    - mos prekni daljen/gypin e ajrit
    - sigurohuni që asgjë të mos bjerë në daljen/gypin e ajrit
    - mbajeni me kujdes pajisjen me një dorë ndërsa e fikni me dorën tjetër, dhe më pas lëreni që të ftohet
  - Përdoreni në vende të vështira për t'u arritur
    - hiqni unazën E ②, duke lëshuar daljen metalike të ajrit në një distancë të madhe
  - ! **kini kujdes për një rrezik më të madh të zjarrit dhe të djegieve**
  - Mbajta dhe drejtimi i vegjës ⑧
    - mbajeni pajisjen me një dorë
    - mbajini të çarat e ajrimit F ② të pambuluara
  - Aksesorët standardë ②
    - gypi i mbrojtjes së xhamit G (për shmangien e rrymës së ajrit)
    - gypi i rrafshët H (për zgjerimin e rrymës së ajrit)
    - gypi i reflektorit J (për reflektimin e rrymës së ajrit)
    - gypi i zvogëlimit K (për përqendrimin e rrymës së ajrit)
- SHËNIME:
- të gjitha shembujt e përdorimit (**përveç heqjes së bojës mbi xham**) mund të kryhen pa aksesorë; sidoshonitë përdorimi i aksesorit të përshtatshëm e thjeshton punën dhe përmirëson ndjeshëm cilësinë e rezultateve

- kjo pajisje mund të përdoret e kombinuar me aksesorët BOSCH dhe aksesorët e tjerë normalisht të disponueshëm për pistoletat më ajër të nxehtë
- Montimi/heqja e aksesorëve
  - thjesht përshtatni aksesorin në daljen e ajrit L ②
  - hiqeni një aksesori duke e tërhequr përpara pasi të jetë ftohur
- ! **montoni një aksesori vetëm kur dalja e ajrit të jetë e ftohtë, kur çelësi është në pozicionin "0" dhe kur spina është e shkëputur**
- Unaza varëse M ⑨
  - për magazinimin e lehtë të pajisjes
- ! **lëreni pajisjen që të ftohet për të paktën 30 minuta para se ta magazinoni**
- Kontrolli i vazhdueshëm i nxehtësisë (mbrojtja nga mbingarkesa)
  - Mbron elementin e nxehtësisë nga dëmtimi kur pajisja është e mbingarkuar pa u detyruar ta ndaloni dhe/ose ta lini të ftohet për pak kohë
  - kur temperatura ngrihet shumë, elementi i nxehtësisë fiket vetë, kurse motori vazhdon të punojë dhe krijon ajër të ftohtë
  - kur temperatura të ketë rënë ndjeshëm (zgjat vetëm disa sekonda), elementi i nxehtësisë do të ndizet automatikisht
- ! **kur pajisja fiket pas punës në një përcaktim të lartë të temperaturës, dhe ndizet përsëri pas një pushimi të shkurtër, mund të zgjasë pak para se elementi i nxehtësisë të arrijë në temperaturën e dëshiruar**

## KËSHILLË PËR PËRDORIMIN

- Heqja e bojës/llakut ⑩
  - përdorni një spatull të pastër, të mprehtë
  - gërryejeni fort, kur boja të zbutet
  - eksperimentoni për të përcaktuar gjatësinë e kohës që duhet për të ushtruar nxehtësinë për rezultate optimale
  - gërryeni menjëherë bojë e zbutur ose ajo do të forcohet përsëri
  - mban një kënd 30° deri në 40° midis pajisjes dhe materialit
  - hiqni bojën dhe copërat menjëherë nga spatulla për të parandaluar ndezjen e tyre
  - gërryeni me sipërfaqen e drurit, kur është e mundur
  - mos e drejtoni rrymën e ajrit të nxehtë drejt të njëjtës sipërfaqe për një kohë të gjatë
  - hidhni mbetjet e bojës në mënyrë të sigurt
  - pastroni plotësisht zonën e punës pasi të përfundoni punën
- ! **kini kujdes kur të hiqni shtresat e bojës në ndërtesa të vjetra; në të kaluarën ndërtesa mund të jetë lyer me bojë që përmban plumb, që është shumë helmuese**
- ! **ekspozimi edhe ndaj niveleve të ulta të plumbit mund të shkaktojë dëmtime të rënda nervore dhe të trurit; fëmijët e vegjël dhe të palindur janë veçanërisht të rrezikuar**
- ! **boja me bazë plumbi të hiqet nga një specialist pa përdorur pistoletën me ajër të nxehtë**

## SHEMBULL TJETËR I PËRDORIMIT:

- ★ heqja e shtresës së murit (sintetike)
- Heqja e bojës/lakut mbi xham <sup>(11)</sup>
  - **gjithmonë** përdorni gypin e mbrojtjes së xhamit G kur punoni mbi xham
  - hiqeni bojën me një spatull manuale
- ! **mos përdorni pajisjen për heqjen e bojës në dritare me kornizë metalike; metali është përcjellës i nxehtësisë dhe mund të shkaktojë thyerjen e xhamit**
- Heqja e ngjitëseve (përdorni gypin e rrafshët H) <sup>(12)</sup>
  - shumë ngjitëse bëhen më të buta kur nxehen, duke lejuar ndarjen e lidhjeve ngjitëse dhe heqjen e ngjitësve të panevojshme
- ! **nxehini ngjitëset në anën e sipërme**
- ! **gjithmonë kini kujdes që të mos e nxehini shumë sipërfaqen poshtë**

## SHEMBUJ TË TJERË TË PËRDORIMIT:

- ★ heqja e linoleumit dhe tapetit me vinil
- ★ heqja e pllakave të tapetit me fibra sintetike
- ★ heqja e rimesos/vendosja e shiritave të rimesos
- ★ zbutja/shkrija e ziftit, kallajit, bitumit, dyllit (përdorni gypin e rrafshët H)
- ★ dyllosja (mobilitë) (përdorni gypin e rrafshët H) <sup>(13)</sup>
- ★ heqja e ngjitësit
- ★ lirim i vidave, dadove dhe bulonëve metalikë të ndryshkur/të shtrënguar fort
- ★ heqja e parafinës së qirinje (mos e nxehini shumë sipërfaqen poshtë)
- ★ riparimi i qirinje të thyer/rikthimi i qirinjeve të përkulur në formën origjinale
- Përshtatja me tkurrje <sup>(14)</sup>
  - përdorni gypin e reflektorit J ose gypin e zvogëlimit K
  - zgjidhni një tub me përshtatje me tkurrje me diametër të përshtatshëm me atë të materialit
  - nxehini tubin në mënyrë të njëtrajtshme
- SHEMBULL TJETËR I PËRDORIMIT:
  - ★ mbështjellja me tkurrje
- Ngjitja e tubave të ujit <sup>(15)</sup>
  - Kjo pajisja është më e përshtatshme për punën me bashkues të butë (pika e shkrires nën 400°)
  - përdorni gypin e reflektorit J
  - pastroni plotësisht të dyja pjesët bashkuese para ngjitjes
  - nxehini paraprakisht të dyja pjesët dhe përdorni tel për saldim (**mos përdorni tel saldimi me bazë plumbi**)
- Shkrija e tubave të ngrirë të ujit <sup>(16)</sup>
  - përdorni gypin e reflektorit J
  - nxehini zonën e ngrirë në mënyrë të njëtrajtshme

- ! **tubat e ujit është e vështirë të dallohen nga tubat e gazit; nxejha e tubave të gazit është shumë e rrezikshme - rrezik shpërthimi**

## SHEMBUJ TË TJERË TË PËRDORIMIT:

- ★ shkrija e tubave të ujit me PVC (**pozicioni I, maks. 60°C**)
- ★ shkrija e bravave të ngrira të makinës (**pozicioni I, maks. 60°C**) (përdorni gypin e zvogëlimit K)
- ★ shkrija e frigoriferëve ngrirës (**mos dëmtoni paretin plastik**)
- ★ shkrija e shkallëve dhe rugicave me akull

- Dhënia e formës për tubat plastikë
  - përdorni gypin e reflektorit J
  - mbusheni tubin me rërë dhe izoloheni në të dyja anët, për të shmangur përdredhjen e tubit
  - nxehini tubin në mënyrë të njëtrajtshme duke e lëvizur nga njëra anë në tjetrën


## SHEMBUJ TË TJERË TË PËRDORIMIT:

- ★ dhënia e formës për të gjitha materialet plastike me shkrije në pikë të ulët (polietilen, PVC, etj.)
- ★ dhënia e formës për të gjitha materialet plastike me shkrije në pikë të lartë (xham akrilik, pleksiglas, etj.)
- ★ dhënia e formës dhe përkulja e pllakave të tapetit me fibra sintetike
- ★ dhënia e formës dhe përkulja e drurit (ndërtimi i modeleve)
- Ngjitja e plastikës
  - vija e ngjitjes duhet të jetë e pastër dhe pa vajra
  - mbajeni shufrën e shkrires në vijën e ngjitjes dhe ushtroni nxehtësi deri sa shufra e shkrires të bëhet ngjitëse
  - hiqeni nxehtësinë kur vija e ngjitjes të mbushet
- SHEMBUJ TË TJERË TË PËRDORIMIT:
  - ★ riparimi i dërrasave të sërfit, skive dhe artikujve të tjerë sintetikë sportivë (përdorni gypin e rrafshët H)
  - ★ ngjitja e materialeve PVC
  - ★ zbutja e fluskave pas ngjitjes së fashove PVC
  - ★ lidhja e tubave në kopsht (përdorni gypin e reflektorit J)
- Tharja
  - ! **thani vetëm me një përcaktim të ulët ose mesatar të temperaturës (pozicioni 1 ose 2) dhe me një distancë më të madhe midis pajisjes dhe materialit**
  - tharja e bojës, llakut, gipsit, llaçit dhe suvasë
  - tharja e drurit të njomë para përdorimit
  - tharja e shpejtë e materialeve të trasha mbushëse dhe ngjitëse
  - tharja e lidhjeve në ndërtim para spërkatjes për izolim ose me izolues
  - tharja e lidhjeve dhe krisjeve në varka
- Pastrimi/desinfektimi
  - deinfektimi i kafazëve të lepujve, pëllumbave, etj. (**hiqni fillimisht kafshët**)
  - luftimi i kolonive të mizave
  - luftimi i krimbave të drurit dhe brumbujve (**mbajeni pajisjen në një distancë të përshtatshme nga druri**)
  - eliminimi i barërave

## MIRËMBAJTJA / SHËRBIMI

- Kjo vegël nuk është e projektuar për përdorim profesional
- Mbajeni gjithmonë veglën dhe kordonin të pastër (veçanërisht të çarat e ajrosjes F <sup>(2)</sup>)
- Mos përdorni kurrë lëngje të djegshme për pastrimin e pistoletës me ajër të nxehtë në përgjithësi dhe daljes/gypit të ajrit në veçanti.
- Nëse pajisja ka defekt pavarësisht kujdesit në prodhim dhe procedurat e provave, riparimi duhet të kryhet nga një qendër e shërbimit pas shitjes për veglat e punës të SKIL
  - dërgoni veglën të **çmontuar** së bashku me vërtetimin e blerjes te shitësi ose te qendra më e afërt e shërbimit e SKIL (adresat si dhe diagrami i shërbimit i veglës janë të paraqitura në [www.skil.com](http://www.skil.com))

## MJEDISI

- **Mos i hidhni veglat elektrike, aksesorët dhe paketimin së bashku me materialet e mbeturinave familjare** (vetëm për vendet e BE-së)
  - në respektim të Direktivës evropiane 2012/19/EC për pajisjet elektrike dhe elektronike si mbetje dhe zbatimin e saj në përputhje me ligjet kombëtare, pajisjet elektrike që kanë arritur në fund të jetëgjatësisë së tyre duhet të mblidhen të ndara dhe të kthehen në një objekt riciklimi në përputhje me mjedisin.
  - simboli  do t'ju kujtojë për këtë gjë kur të jetë nevoja për t'i hedhur

## DEKLARATA E KONFORMITETIT CE

- Ne deklarojmë me përgjegjësinë tonë të vetme se ky produkt i përshkruar në "Të dhëat teknike" është në përputhje me standardet ose dokumentet e standardizimit si më poshtë: EN 60335, EN 61000, EN 55014 në përputhje me dispozitat e direktivave 2006/95/EC, 2004/108/EC, 2011/65/EU
- **Dosja teknike në:** SKIL Europe BV (PT-SEU/ENG1), 4825 BD Breda, Holandë

Marijn van der Hoofden  
Operations & Engineering

Olaf Dijkgraaf  
Approval Manager



SKIL Europe BV, 4825 BD Breda, NL

03.09.2014

CE11

- سایر موارد استفاده:
- ★ تعمیر تخته موج سواری، چوب اسکی و سایر لوازم ورزشی مصنوعی (از نازل تخت H استفاده شود)
- ★ جوشکاری مواد PVC
- ★ صاف کردن برجستگی ها بعد از جسیباندن برجسب های PVC
- ★ وصل کردن شلنگ های آب (از نازل بازتابی L استفاده شود)
- خشک کردن
- ! خشک کردن فقط باید در تنظیم پایین یا متوسط دما (وضعیت 1 یا 2) و بیگونه یا انجام شود که فاصله بین ابزار و قطعه کاری بیشتر از حد عادی باشد
- خشک کردن رنگ، روغن جلا، گچ، ملات گچ و خاک
- خشک کردن الوارهای تر پیش از بتونه کاری
- خشک کردن سریع لایه های ضخیم بتونه یا چسب
- خشک کردن اتصالات ساختمانی پیش از پاشیدن عایق یا درزگیر
- خشک کردن اتصالات و ترک ها در فایق سازی
- تمیز کردن/ضدعفونی کردن
- ضدعفونی کردن لانه خرگوش، لانه کبوتر و مانند آنها (ابتدا حیوان خانگی را خارج کنید)
- از بین بردن کولونی مورچه ها
- از بین بردن مورانه ها و سوسک های چوب خوار (فاصله کافی را بین ابزار و چوب در نظر بگیرید)
- از بین بردن علف های هرز

## نگهداری / سرویس- خدمات

- این ابزار برای مصارف حرفه ای مناسب نیست
- همیشه ابزار و سیم برق را تمیز نگه دارید (بخصوص شیارهای تهویه F ①)
- هرگز از مایعاتی که به آسانی مشتعل می شوند برای تمیز کردن سنسوار صنعتی و یا علی الخصوص جراحی/نازل هوای آن استفاده نکنید
- اگر ابزار علیرغم تمام وقت و مراقبتی که در فرایندهای تولید و تست بکار برده شده از کار افتاد، تعمیرات باید فقط در مراکز خدمات پس از فروش ابزارهای برقی SKIL انجام شود
- ابزار را بصورت بازنتفیده همراه با رسید خرید به فروشنده یا نزدیک ترین مرکز خدمات رسانی SKIL بفراستید (آدرسها به همراه نمودارنقشه های سرویس ابزار در [www.skil.com](http://www.skil.com) موجود است)

## محیط زیست

- ابزارهای برقی، لوازم و متعلقات و بسته بندی آنها را نباید همراه با زباله های عادی خانگی دور انداخت (فقط مخصوص کشورهای عضو اتحادیه اروپا)
- با توجه به مصوبه اروپایی 2012/19/EC اروپا درباره لوازم برقی و الکترونیکی مستعمل و اجرای این مصوبه مطابق با قوانین کشوری، ابزارهای برقی که به پایان عمر مفید خود رسیده اند باید جداگانه جمع آوری شده و به یک مرکز بازیافت مناسب و سازگار با محیط زیست انتقال یابند
- نمادعلامت ⑩ یادآور این مسئله در هنگام دور انداختن است

## اعلامیه مبنی بر رعایت استاندارد CE

- ما بر اساس مسئولیت انحصاری خود اعلام می نمایم که محصول شرح داده شده در قسمت «اطلاعات فنی» با استانداردها یا مستندات استاندارد شده زیر سازگاری و تطابق دارد: EN 60333, EN 11000, EN 55014, EN مطابق با مفاد مصوبات اتحادیه اروپا، 2004/108/EC, 2006/95/EC, 2000/14/EU, 2001/11/EC
- پرونده فنی در: SKIL Europe BV (PT-SEU/ENG)1, 4825 BD Breda, NL

Marijn van der Hoofden  
Operations & Engineering

Olaf Dijkgraaf  
Approval Manager




SKIL Europe BV, 4825 BD Breda, NL

CE11

03.09.2014

- کندن برجسب ها (از نازل تخت H استفاده کنید) ⑪
- بسیاری از چسب ها بعد از گرم شدن نرم می شوند که در نتیجه پیوندهای چسبیده جدا شده و چسب غیرضروری کنده می شود
- ! برجسب را از روی آن گرم کنید
- ! مراقب باشید که سطح زیرین را خیلی گرم نکنید
- سایر موارد استفاده:
- ★ برداشتن کفپوش های لیتونوم و وینیل
- ★ برداشتن تایل های کفپوش ساخته شده از الیاف مصنوعی
- ★ برداشتن روکش های چوبی/انصب نوارهای روکش چوبی
- ★ نرم/ذوب کردن قیر، قلع، قیر طبیعی، موم (از نازل تخت H استفاده شود)
- ★ واکس زدن (چوب اسکی، میلمان) (از نازل تخت H استفاده شود) ⑫
- ★ برداشتن رزین ها
- ★ شل کردن پیچ و مهره های فلزی رنگ زده/خیلی محکم
- ★ پاک کردن موم شمع (سطح زیرین را خیلی گرم نکنید)
- ★ تعمیر شمع های شکسته/برگرداندن شمع های خم شده به شکل اصلی
- سوار کردن انقباضی (شرینک فیت) ⑬
- از نازل بازتابی L یا نازل کاهانده K استفاده شود
- یک تکه لوله شرینک-فیت با قطر مشابه قطعه کاری انتخاب کنید
- لوله شرینک-فیت را بطور یکنواخت گرم کنید
- سایر موارد استفاده:
- ★ بسته بندی جمع شونده (شرینک رپ)
- حجم کاری لوله های آب ⑭
- این ابزار برای کار با حجم های نرم (نقطه ذوب زیر ۴۰۰ درجه سانتیگراد) مناسب تر است
- از نازل بازتابی L استفاده شود
- پیش از خیم کاری هر دو سطح اتصال را کاملاً تمیز کنید
- هر دو قسمت را پیش گرم کرده و از سیم خیم استفاده کنید (از سیم های خیم حاوی سرب استفاده نکنید)
- رفع یخ زدگی لوله های آب یخ زده ⑮
- از نازل بازتابی L استفاده شود
- قسمت یخ زده را بطور یکنواخت گرم کنید
- ! تمیز دادن لوله های آب از لوله های گاز اغلب مشکل است: گرم کردن لوله های گاز کار بسیار خطرناکی است - خطر انفجار
- سایر موارد استفاده:
- ★ رفع یخ زدگی لوله ها از جنس پولیکا (وضعیت 1، حداکثر ۶۰ درجه سانتیگراد)
- ★ رفع یخ زدگی قفل اتومبیل ها (وضعیت 1، حداکثر ۶۰ درجه سانتیگراد) (از نازل بازتابی K استفاده کنید)
- ★ برکف زدایی یا دیفراست کردن فریزرها (وقت کنید به بدنه پلاستیکی آسیبی نرسد)
- ★ رفع یخ زدگی پله ها و پیاده روهای پوشیده از یخ
- شکل دهی لوله های پلاستیکی
- از نازل بازتابی L استفاده شود
- برای جلوگیری از خم شدن بیش از حد، لوله را با شن پر کرده و هر دو انتهای آنرا ببندید
- لوله را از یک طرف به طرف دیگر حرکت دهید تا همه جای آن بطور یکنواخت گرم شود
- سایر موارد استفاده:
- ★ شکل دهی کلیه مواد پلاستیکی با نقطه ذوب پایین (پلی اتیلن، پولیکا و PVC غیره)
- ★ شکل دهی کلیه مواد پلاستیکی با نقطه ذوب بالا (نیشینه آکریلیک، پلیکسی گلاس و غیره)
- ★ شکل دهی و خم کردن تایل های کفپوش ساخته شده از الیاف مصنوعی
- ★ شکل دهی و خم کردن چوب (مدلسازی)
- جوش دادن پلاستیک
- درز جوش باید تمیز و عاری از روغن و گریس باشد
- سیم جوش را نزدیک درز جوش گرفته و حرارت دهید تا سیم جوش چسبناک شود
- هرگاه درز جوش پر شد حرارت را بردارید

- پیش از کنار گذاشتن ابزار مطمئن شوید که خاموش شده باشد
- در صورت بروز اشکالات برقی یا مکانیکی، فوراً ابزار را خاموش کرده و سیم برق آنرا از پریز بکشید
- **بعد از استفاده:**
- ابزار را خاموش کرده و دوشاخه را بکشید
- قبل از اینکه ابزار را در جای نگهداری آن قرار دهید بگذارید برای حداقل ۳۰ دقیقه خنک شود
- ابزار را از حلقه آویز آن M ① آویزان کنید یا بطور ایستاده به پشت قرار دهید؛ هنگام انجام این کار، دقت کنید هیچ ماده قابل احتراق یا گاز قابل اشتعالی در مجاورت نباشد
- ابزار را در فضای باز نگهداری/رها نکنید
- ابزار را در مکانی خشک و محفوظ، دور از دسترس کودکان نگهداری کنید

## استفاده

- کلید روشن/خاموش با ۲ تنظیم دما ④
- ! پیش از وصل کردن سیم ابزار به برق مطمئن شوید که کلید A در وضعیت "۰" باشد
- ابزار را با فشار دادن کلید A به وضعیت مطلوب روشن کنید:
- ۵۰ = درجه سانتیگراد، ظرفیت هوادهی ۲۵۰-۵۰۰ لیتر/دقیقه
- ۵۰ = درجه سانتیگراد ۲۵۰ ... درجه سانتیگراد ظرفیت هوادهی ۲۵۰-۵۰۰ لیتر/دقیقه
- اگر برای بار اول است که از ابزار استفاده می کنید ممکن است کمی دود از آن خارج شود؛ این حالت طبیعی است و بزودی متوقف خواهد شد
- ابزار را با فشار دادن کلید A به وضعیت "۰" خاموش کنید
- تنظیم دما ⑤
- با فشار دادن مختصر کلیدهای B می توانید دمای دخواه را با پله های ۱۰ درجه سانتیگراد تنظیم کنید
- اگر کلیدهای B را بطور پیوسته فشار دهید، دمای هدف بطور پیوسته کاهش/افزایش می یابد تا اینکه کلیدها را رها کنید یا به دمای حداقل/حداکثر رسیدگی نمایید
- بعد از تنظیم دمای هدف، نمایشگر D افزایش/کاهش واقعی دما را تا زمان رسیدن به دمای دخواه نشان می دهد (فقط در وضعیت «II»)
- دمای مورد نظر در حافظه ابزار ذخیره می گردد، بطوریکه ابزار بعد از هر بار روشن شدن تا آخرین دمای هدف انتخاب شده گرم خواهد شد
- تنظیم ظرفیت هوادهی ①
- با فشار دادن مختصر کلیدهای C می توانید ظرفیت هوادهی دخواه را با گام های ۵۰ لیتر/دقیقه تنظیم کنید
- نمایشگر، D تنظیم حقیقی ظرفیت هوادهی را بصورت یک نمودار میله ای نمایش می دهد
- استفاده عادی
- ابتدا روی یک تکه بردنخور از قطعه کاری آزمایش کنید تا دمای مناسب مشخص شود؛ کار را با دمای پایین شروع کنید
- هرچه فاصله میان خروجی/نازل هوا و قطعه کاری بیشتر شود، دما افت می کند
- دمای مورد نیاز به قطعه کاری بستگی دارد
- استفاده در حالت ثابت ⑥
- ابزار را در وضعیت ایستاده به پشت قرار دهید
- مطمئن شوید که سطح تمیز و عاری از گرد و غبار باشد؛ هوای آلوده به موتور آسیب می رساند
- مطمئن شوید که جهت جریان هوا به سمت شما نباشد
- سیم را محکم کنید تا ابزار به پایین کشیده نشود
- به خروجی/نازل هوا دست نزنید
- دقت کنید که هیچ چیزی به داخل خروجی/نازل هوا نیفتد
- ابزار را خیلی با دقت در یک دست گرفته و با دست دیگر آنرا خاموش کنید. سپس اجازه دهید ابزار خنک شود
- استفاده در نقاط دور از دسترس
- حلقه T ⑦ را بردارید. در نتیجه خروجی فلزی هوا برد بیشتری خواهد داشت
- ! دقت کنید چون در این حالت خطر آتش گرفتن و سوختگی بیشتر می شود
- نگهداشتن و هدایت ابزار ⑧
- ابزار را با یک دست بگیرید
- شیرهای تهویه F ⑨ را مسدود نکنید

## متعلقات استاندارد ①

- نازل محافظ شیشه G (برای منحرف کردن جریان هوا)
- نازل تخت H (برای گسترده کردن جریان هوا)
- نازل باتایلی L (برای بازتاب دادن جریان هوا)
- نازل کاشه K (برای متمرکز کردن جریان هوا)
- تذکرات:
- کلیه موارد استفاده شرح داده شده (به غیر از پاک کردن رنگ در مجاورت شیشه) بدون متعلقات نیز قابل اجرا هستند؛ اما استفاده کردن از متعلقات صحیح و مناسب باعث ساده تر شدن کار و بهتر شدن نتیجه می شود
- این ابزار همراه با متعلقات پوش- و سایر متعلقات رایج و موجود برای سنسورهای صنعتی نیز قابل استفاده است
- سنوار/پاک کردن متعلقات
- کافی است متعلقات را روی خروجی هوا سوار کنید L ①
- برای برداشتن متعلقات باید ابتدا صبر کنید خنک شوند سپس آنها را بکشید و از جای خود خارج کنید
- ! متعلقات را فقط زمانی می توانید سوار کنید که خروجی هوا خنک باشد. کلید در وضعیت "۰" بوده و سیم برق قطع شده باشد
- حلقه آویز M ④
- برای نگهداری آسان ابزار
- ! قبل از اینکه ابزار را در جای نگهداری آن قرار دهید بگذارید برای حداقل ۳۰ دقیقه خنک شود
- کنترل پیوسته حرارت (محافظت در برابر اضافه بار)
- اگر ابزار دچار اضافه بار شود بدون متوقف کردن کار آن و/یا بدون اینکه لازم باشد برای مدتی آنرا خاموش کنید تا خنک شود. المنت حرارتی را در برابر آسیب دیدگی محافظت می کند
- موقعی که دما خیلی بالا می رود، المنت حرارتی خودبخود خاموش می شود و در عین حال موتور به کار خود ادامه داده و هوای خنک تولید می کند
- بعد از اینکه دما به حد قابل قبولی کاهش یافت (فقط چند ثانیه طول می کشد)، المنت حرارتی دوباره بطور خودکار روشن می شود
- ! هنگام پاک کردن باید دقت کنید که تنظیم دمای زیاد خاموش کرده، و پس از یک استراحت کوتاه مجدداً آنرا روشن می کنید. امکان دارد مدتی طول بکشد تا المنت حرارتی آن به دمای دخواه برسد
- توصیه های کاربردی
- پاک کردن رنگ/الاک الکل ②
- از یک کارکرد تمیز و نیز استفاده کنید
- موقعی که رنگ نرم شد محکم با کارکرد آنرا بترانید
- برای مشخص کردن مدت زمان اعمال گرما برای رسیدن به نتیجه بهینه، چندبار آزمایش کنید
- رنگ نرم شده را فوراً با کارکرد بترانید. چون در غیراینصورت دوباره سفت خواهد شد
- ۳۰ تا ۴۰ درجه زاویه بین ابزار و قطعه کاری را حفظ کنید
- برای جلوگیری از آتش گرفتن رنگ و ذرات دیگر، آنها را فوراً از روی کار پاک کنید
- در صورت امکان کارکرد را در جهت رشته های جوب بکشید
- جریان هوا داغ را برای مدت طولانی روی یک سطح خاص نگهید
- تمام ذرات رنگ را بطور ایمن دور بریزید
- محیط کاری را بعد از تکمیل کار خوبی تمیز کنید
- ! هنگام پاک کردن لایه های رنگ در ساختمان های قدیمی خیلی مواظب باشید؛ در گذشته مرسوم بوده که ساختمان ها را با رنگ های حاوی سرب رنگ کنند. که بشدت سمی است
- ! رنگ گرفتن در معرض حتی مقادیر ناچیز سرب می تواند آسیب های جدی به مغز سیستم اعصاب بدن وارد کند؛ کودکان خردسال و به دنیا نیامده بطور خاص در معرض خطر قرار دارند
- ! پاک کردن رنگ های حاوی سرب را به متخصصان این کار بسپارید تا بدون سنسور صنعتی این کار را انجام دهند
- سایر موارد استفاده:
- ★ برداشتن بیوپارکول ها (مصنوعی)
- پاک کردن رنگ/الاک الکل در مجاورت شیشه ③
- هنگام کار در مجاورت شیشه همیشه از نازل محافظ شیشه G استفاده کنید
- رنگ را با یک کارکرد دستی پاک کنید
- ! از این ابزار برای پاک کردن رنگ پنجره های قاب فلزی استفاده نکنید؛ فلز از این حرارت است و ممکن است منجر به شکسته شدن شیشه شود

ب) همواره از تجهیزات ایمنی شخصی استفاده کنید. همواره از عینک ایمنی استفاده کنید. استفاده از تجهیزات ایمنی مانند ماسک ایمنی، کفش های ایمنی ضد لغزش، کلاه ایمنی و گوشی ایمنی متناسب با نوع کار یا ابزار الکتریکی. خطر مجروح شدن را تقلیل می دهد.

ت) مواظب باشید که ابزار الکتریکی بطور ناخواسته بکار نیفتد. قبل از وارد کردن دوشاخه دستگاه در پریز برق، اتصال آن به باطری برداشتن آن و یا حمل دستگاه باید دقت کنید که ابزار الکتریکی خاموش باشد. در صورتیکه هنگام حمل دستگاه انگشت شما روی دکمه قطع و وصل باشد و یا دستگاه را در حالت روشن به برق بزنید. ممکن است سوانح کاری پیش آید.

ث) قبل از روشن کردن ابزار الکتریکی، باید همه ابزار های تنظیم کننده و آچار ها را از روی دستگاه بردارید. ابزارو آچارهایی که روی بخش های چرخنده دستگاه قرار دارند، می توانند باعث ایجاد جراحت شوند.

ج) بیش از حد به آنها نزدیک نشوید. برای کار جای مطمئنی برای خود انتخاب کرده و تعادل خود را همواره حفظ کنید. به این ترتیب می توانید ابزار الکتریکی را در وضعیت های غیر منظره بهتر خت کنترل داشته باشید.

ح) لباس مناسب بپوشید. از پوشیدن لباس های فراخ و حمل زینت آلات خود داری کنید. موها، لباس و دستکش ها را از بخش های درحال چرخش دستگاه دور نگه دارید. لباس های فراخ، موی بلند و زینت آلات ممکن است در قسمت های درحال چرخش دستگاه گیر کنند.

خ) در صورتیکه می توانید وسائل مکش گرد و غبار و یا وسیله جذب زائده را به دستگاه نصب کنید، باید مطمئن شوید که این وسائل نصب و درست استفاده می شوند. استفاده از وسائل مکش گرد و غبار مصونیت شما را در برابر گرد و غبار زیاد تر می کند.

۴) استفاده صحیح از ابزار الکتریکی و مراقبت از آن  
 ا) از وارد کردن فشار زیاد روی دستگاه خود داری کنید. برای هر کاری، از ابزار الکتریکی مناسب با آن استفاده کنید. بکار گرفتن ابزار الکتریکی مناسب باعث می شود که توان دستگاه بهتر و با اطمینان بیشتر استفاده کنید.

ب) در صورت ایراد در کلید قطع و وصل ابزار برقی، از دستگاه استفاده نکنید. ابزار الکتریکی که نمی توان آنها را قطع و وصل کرد، خطرناک بوده و باید تعمیر شوند.

ت) قبل از تنظیم ابزار الکتریکی، تعویض متعلقات و یا کنار گذاشتن آن، دوشاخه را از برق کشیده و یا باطری آنرا خارج کنید. رعایت این اقدامات پیشگیری ایمنی از راه افتادن ناخواسته ابزار الکتریکی جلوگیری می کند.

ث) ابزار الکتریکی را در صورت عدم استفاده، از دسترس کودکان دور نگه دارید. اجازه ندهید که افراد نا وارد و یا اشخاصی که این دفتر چه راهنما را نتوانند اند، با این دستگاه کار کنند. قرار گرفتن ابزار الکتریکی در دست افراد ناوارد و بی تجربه خطرناک است.

ج) از ابزار الکتریکی خوب مراقبت کنید. مواظب باشید که قسمت های متحرک دستگاه خوب کار کرده و گیر نکنند. همچنین دقت کنید که قطعات ابزار الکتریکی تمسک می و یا آسیب دیده نباشند. قطعات آسیب دیده را قبل از شروع به کار تعمیر کنید. علت بسیاری از سوانح کاری، عدم مراقبت کامل از ابزارهای الکتریکی می باشد.

ح) ابزار برش را تمیز و تمیز نگه دارید. ابزار برشی که خوب مراقبت شده و از لبه های تیز برخوردارند، کمتر در قطعه کار گیر کرده و بهتر قابل هدایت می باشند.

خ) ابزارهای الکتریکی، متعلقات، ابزار که روی دستگاه نصب می شوند و غیره از مطابق دستورالعمل این جزوه راهنما طوری به کار گیرید که با مدل این دستگاه تناسب داشته باشند. همچنین به شرایط کاری و نوع کار توجه کنید. کاربرد ابزار برقی برای موارد کاری که بر آن در نظر گرفته نشده است، میتواند شرایط خطرناکی را منجر شود.

۵) سرویس  
 ا) برای تعمیر ابزار الکتریکی فقط به متخصصین حرفه ای رجوع کرده و از وسائل یکدیگی اصل استفاده کنید. این باعث خواهد شد که ایمنی دستگاه شما تضمین گردد.

#### هشدارهای ایمنی برای سنسوارهای صنعتی

##### پیش از استفاده:

- عملکرد ابزار را پیش از هر بار استفاده کنترل کرده و در صورت مشاهده اشکال دستگاه را فوراً برای تعمیر نزد یک تعمیرکار ماهر ببرید: هرگز خودتان ابزار را باز نکنید
- دوشاخه و سیم ابزار را پیش از هر بار استفاده بازمینی کنید و در صورت آسیب دیدگی از یک تعمیرکار ماهر بخواهید آنها را عوض کند

- سیم های رابط برق باید کاملاً باز شده و ایمن باشند. از سیم هایی با رده بندی ۱۶ آمپر
  - سیم اضافی را بصورت دوره ای بازدید کرده و در صورت آسیب دیدگی تعویض کنید
  - از ابزار و متعلقات آن فقط مطابق با دستورالعملهای این دفترچه راهنما و فقط برای کاربری های پیش بینی شده استفاده کنید: استفاده از ابزار برای کارهایی بغیر از آنچه برای آن طراحی شده است می تواند خطرناک باشد
  - افراد کمتر از ۱۶ سال نباید با این دستگاه کار کنند
  - ابزار نباید توسط افرادی (شامل کودکان) که توانایی های فیزیکی، حساسی یا روانی آنها محدود است، یا فاقد تجربه و دانش لازم هستند بکار برده شود مگر اینکه شخصی که مسئول ایمنی آنهاست درباره طرز کار با ابزار به آنها توضیح داده باشد و یا بر کار آنها نظارت کند
  - همیشه ولتاژ تغذیه را کنترل کرده و مطمئن شوید که برابر ولتاژ درج شده روی پلاک ابزار باشد
  - موقعی که دوشاخه ابزار را به برق می زنی باید حتماً ابزار خاموش باشد
- در این دستگاه:
- موقع کار با ابزار خیلی دقت کنید: از آتش گرفتن و سوختگی جلوگیری کنید
  - به خروجی/انزال هوا و شین گرم شده دست نزنید: چون بشدت داغ می شوند
  - خروجی/انزال هوا را خیلی نزدیک به قطعه کاری نگیرید
  - جریان هوای داغ را برای مدت طولانی روی یک سطح خاص نگیرید
  - هرگز به داخل خروجی/انزال هوا نگاه نکنید
  - از دستکش و عینک محافظ استفاده کنید
  - هرگز جریان هوای داغ را به سمت افراد یا حیوانات نگیرید
  - هرگز از این ابزار برای خشک کردن موها استفاده نکنید
  - ابزار را بدون سپرپرستی رها نکنید
  - هرگز از این ابزار در مجاورت گازهای قابل اشتعال یا مواد قابل احتراق استفاده نکنید (خطر انفجار)
  - هنگام کار با پلاستیک، رنگ، روغن جلا و مواد مشابه امکان دارد که گازهای قابل اشتعال و سمی تولید شود: از پیش درباره موادی که قرار است روی آنها کار شود اطلاعات کسب کنید
  - دقت داشته باشید که امکان دارد گرما به مواد قابل احتراقی که در دیدرس نیستند منتقل شود
  - برای حفظ ایمنی، یک سطح آب یا کپسول آتش نشانی آماده داشته باشید تا در صورت آتش سوزی از آنها استفاده کنید
- جلوگیری از برق گرفتگی
  - هرگز چیزی داخل خروجی/انزال هوا فرو نکنید
  - این تماس با سطوح متصل به زمین یا ارت دار (مانند لوله، رادیاتور، اجاق گاز، یخچال) اجتناب کنید
  - دقت کنید ابزار هرگز خیس نشود
  - از ابزار در مکان های مرطوب استفاده نکنید
  - اگر می خواهید از ابزار در فضای باز استفاده کنید، باید ابزار را حتماً با یک مدارشکن جریان خطا (F) با سلف جریان حداکثر ۳۰ میلی آمپر وصل کرده و فقط از سیم رابط هایی استفاده کنید که مخصوص فضای باز بوده و دارای پریز اتصال در ریزش آب می باشند
- هنگام کار و دست زدن به سیم ابزار خیلی دقت کنید
  - سیم ابزار را از جریان هوای داغ و مسیر خروجی/انزال هوا دور نگه دارید
  - سیم ابزار را از گرما، روغن و لبه های تیز دور نگه دارید
  - ابزار را با سیم آن حمل نکنید و برای جدا کردن سیم از پریز آنرا نکشید
  - ابزار را از سیم آن آویزان نکنید
  - هرگز از ابزار در مجاورت حلال های شیمیایی استفاده نکنید
  - مطمئن شوید که فضای کار دارای تهویه مناسب باشد
  - محیط کار باید تمیز و دارای روشنایی مناسب باشد
  - کودکان را از محیط کار دور نگه دارید
  - هیچوقت اجازه ندهید کودکان با ابزار بازی کنند
  - جریانهای ناگهانی باعث آفت موقتی ولتاژ می گردند: در شرایطی که وضعیت تغذیه برق نامناسب است امکان دارد سایر تجهیزات تأثیر ببینند (اگر امپدانس سیستم منبع تغذیه کمتر از ۰.۷۹ + j۰.۱۷ اهم باشد، احتمال روی دادن اختلالات وجود دارد). اگر نیاز به توضیح بیشتری دارید، می توانید با شرکت برق منطقه ای خود تماس بگیرید
  - هشیار باشید: به کاری که می کنید دقت کنید. از عقل سلیم خود استفاده کرده و در صورت احساس سنگینی، کار را متوقف کنید
  - بطرز مستحکم با ایستید: بیش از حد دست خود را دراز نکنید. بخصوص وقتی روی نردبان یا سکو هستید





- ملحقات قياسية ①
- فوهة الحماية الزجاجية G (لتغير اتجاه تدفق الهواء);
- الفوهة المسطحة H (لزيادة عرض تدفق الهواء);
- الفوهة العاكسة L (لانعكاس تدفق الهواء);
- فوهة التخفيض K (لتركيز تدفق الهواء);
- ملاحظات:
- يمكن إجراء كل أمثلة الاستخدامات (باستثناء إزالة الغطاء الجوار للزجاج) بدون ملحقات; ومع ذلك فإن استخدام ملحق ملائم ييسر العمل ويحسن جودة النتائج بدرجة كبيرة;
- كما يمكن استخدام هذه الأمثلة مع ملحقات BOSCH والملحقات الأخرى المتاحة بشكل شائع للمسدسات الحرارية;
- تركيب/إزالة الملحقات
- ركب الملحق ببساطة على منفذ الهواء L ①;
- فك الملحق عن طريق سحب للخارج نحو المقدمة بعدما يبرد;
- ! لا تقم بتركيب أي ملحق إلا ومنفذ الهواء بارداً وحين يكون المفتاح في الوضع "0" والقابس مفصولاً.
- حلقة تعليق M ④
- للتحزين البسيط للأداة
- ! اترك الأداة لتبرد لمدة لا تقل عن ٣٠ دقيقة قبل القيام بتخزينها;
- حزم دائم في السخونة (الحماية من فرط التحميل)
- يحمي عنصر التسخين من التلف عندما تتعرض الأداة لفرط التحميل بدون الاضطرار إلى إيقافها وأو تركها تبرد لفترة من الزمن;
- عندما ترتفع درجة الحرارة للغاية على نحو زائد. يتوقف تشغيل عنصر التسخين ذاتياً. بينما يستمر دوران المحرك وإنتاج الهواء البارد;
- وعندما تنخفض درجة الحرارة بالقدر الكافي (لا يستغرق الأمر سوى ثواني قليلة)، سيعمل عنصر التسخين تلقائياً.
- ! عند إيقاف تشغيل الأداة بعد العمل بإعداد درجة حرارة مرتفعة وتشغيلها مرة أخرى بعد فترة توقف قصيرة. قد يستغرق الأمر بعض الوقت حتى يصل عنصر التسخين إلى درجة الحرارة المطلوبة;
- توصيات الاستخدام
- إزالة الغطاء الورنيش ⑤
- استخدم كاشطة نظيفة وحادة;
- قم بالكشط باستمرار والغطاء ليئلاً;
- جرب لتحديد الفترة الزمنية اللازمة لاستخدام الحرارة للحصول على نتائج مثالية;
- اكشط الغطاء اللين فوراً، ولا فليسيتبب مرة أخرى;
- حافظ على زاوية من ٣٠ إلى ٤٠ درجة بين الأداة وقطعة العمل;
- قم بإزالة الغطاء والخلفات فوراً عن الكاشطة حتى لا تشتمل;
- اكشط باستخدام حبيبات الخشب حيثما أمكن;
- لا توجه تدفق الهواء الساخن نحو نفس السطح لمدة طويلة للغاية;
- تخلص من جميع مخلفات الغطاء على نحو آمن;
- نظف منطقة العمل بعناية بعد إتمام المهمة;
- ! توخ الحذر عند إزالة طبقات الغطاء في البنائيات القديمة؛ فرما قد تم مسبقاً طلاء البنائيات بطلاء يحتوي على رصاص وهي مادة عالية السمية.
- ! التعرض للرصاص حتى وإن كان ذلك بمستويات منخفضة قد يسبب تلف خطير في المخ والجهاز العصبي. ويعد الأطفال الصغار والأجنة هم الأكثر حساسية له بوجه خاص.
- ! استعن بحترف لإزالة الغطاء الذي أساسه الرصاص بدون استخدام أي مسدس حراري;
- مثال استخدام آخر:
- إزالة غطاء الحائط (التركيبي);
- إزالة الغطاء الورنيش الجوار للزجاج ⑥
- استخدم دائماً فوهة الحماية الزجاجية G عند العمل بجوار الزجاج;
- قم بإزالة الغطاء ببساطة كاشطة يدوية;
- لا تستخدم الأداة لإزالة طلاء موجود على نوافذ ذات إطارات معدنية. فالعنصر موصل للحرارة مما قد يؤدي إلى كسر الزجاج;
- إزالة الملصقات (استخدم الفوهة المسطحة H) ⑦
- معظم الملصقات تصح أكثر ليونة عند تسخينها. مما يتيح فصل مواد اللصق الصمغية وإزالة اللصق الناقض;
- ! قم بتسخين الملصق على الجانب العلوي;
- ! احرص دائماً على ألا تتعرض السطح الأساسي لسخونة مفرطة;
- أمثلة استخدام أخرى:
- إزالة بساط التينيل ومشمعات فرش الأرض;
- إزالة قطع السجاد المصنوعة من ألياف صناعية;
- إزالة الكسوات الخشبية/تركيب ألواح كسوة أرضية خشبية;
- تليين/إزالة القار والقصدير والقطن والشمع (استخدم الفوهة المسطحة H);
- التسخين (الزلاجات والأثاث) استخدم فوهة مسطحة H ⑧;
- إزالة الراتنج;
- فك البراغي والصواميل والمسامير المعدنية الصدئة/المنتهبة بإحكام بالغ;
- إزالة الشمع (لا تفرط في تسخين السطح الأساسي);
- إصلاح الشموع المكسورة/إعادة الشموع المنحنية إلى شكلها الأصلي.
- التركيب بالتفصيل ⑨
- استخدم الفوهة العاكسة L أو فوهة التخفيض K;
- اختر أنبوب تم تركيبه بالتفصيل بفطر يلامم قطر قطعة العمل;
- قم بتسخين أنبوب تم تركيبه بالتفصيل بالتساوي;
- مثال استخدام آخر:
- التغليف بالتفصيل
- لحام السمكرة لأنابيب المياه ⑩
- تعد هذه الأداة هي الأكثر ملائمة للعمل باستخدام سبائك لحام لينة (نقطة الذوبان أقل من ٤٠٠ درجة);
- استخدم الفوهة العاكسة L
- نظف مقطعي الوصل بعناية قبل إجراء عملية اللحام;
- قم بإجراء تسخين مسبق للمقطعين واستخدم سلك اللحام (لا تستخدم سلك لحام سمكرة مصموم من الرصاص);
- إذابة الجليد عن أنابيب المياه المتجمدة ⑪
- استخدم الفوهة العاكسة L
- سخن المنطقة المتجمدة بالتساوي;
- ! عادة يصعب التفرقة بين أنابيب المياه وأنابيب الغاز؛ وأنابيب الغاز شديدة الخطورة - خطر الانفجار;
- أمثلة استخدام أخرى:
- إذابة أنابيب المياه المصنوعة من مادة كلورايد البولي فينيل (PVC) الوضع 1. بحد أقصى ١٠ درجة مئوية;
- إذابة أقفال السيارات المتجمدة (الوضع 1. بحد أقصى ١٠ درجة مئوية) (استخدم فوهة التخفيض K);
- إذابة الثلوج عن صنابير التجميد (لا تلتف الميت البلاستيكي);
- إذابة لثوج الدرجات والأصطف المغطاة بالثلج;
- تشكيل الأنابيب البلاستيكية;
- استخدم الفوهة العاكسة L
- قم بملء الأنابيب بالرمول واحكم غلقه بكلا الجانبين جنباً لانباء الأنبوب;
- سخن الأنبوب بالتساوي عن طريق تحريكه من جانب للآخر;
- أمثلة استخدام أخرى:
- تشكيل كل المواد البلاستيكية ذات نقطة إذابة منخفضة (بولي إيثيلين وكلورايد البولي فينيل (PVC) وغيرها);
- تشكيل كل المواد البلاستيكية ذات نقطة إذابة عالية (زجاج أكربيك وزجاج بلكسي وغيرها);
- تشكيل وثنى قطع السجاد المصنوعة من الألياف صناعية;
- تشكيل وثنى الخشب (بناء نماذج);
- درزة اللحام يجب أن تكون نظيفة وخالية من الشحم;
- احتفظ بقضيب اللحام بالقرب من درزة اللحام وقم بالتسخين حتى يصبح القضيب لرقاً;
- قم بإعداد السخونة عندما تمتلئ درزة اللحام;
- أمثلة استخدام أخرى:
- إصلاح لوحات الترحل على الأمواج وزلاجات الجليد والمنتجات الرياضية الصناعية الأخرى (استخدم الفوهة المسطحة H);
- لحام مواد كلورايد البولي فينيل (PVC)
- تلميس الفرجح بعد لصق ملصقات PVC
- توصيل خراطيم الحديقة (استخدم الفوهة العاكسة L) التخفيف
- ! لا تقم بالتجفيف إلا بإعداد درجة حرارة منخفضة أو متوسط (الوضع 1 أو ٢) ومع زيادة المساحة بين الأداة وقطعة العمل;
- تجفيف الغطاء الورنيش والجيس والملاط واللصقات;
- تجفيف الأخشاب المبللة قبل الحشو;

- ملحقات قياسية ①
- فوهة الحماية الزجاجية G (لتغير اتجاه تدفق الهواء);
- الفوهة المسطحة H (لزيادة عرض تدفق الهواء);
- الفوهة العاكسة L (لانعكاس تدفق الهواء);
- فوهة التخفيض K (لتركيز تدفق الهواء);
- ملاحظات:
- يمكن إجراء كل أمثلة الاستخدامات (باستثناء إزالة الغطاء الجوار للزجاج) بدون ملحقات; ومع ذلك فإن استخدام ملحق ملائم ييسر العمل ويحسن جودة النتائج بدرجة كبيرة;
- كما يمكن استخدام هذه الأمثلة مع ملحقات BOSCH والملحقات الأخرى المتاحة بشكل شائع للمسدسات الحرارية;
- تركيب/إزالة الملحقات
- ركب الملحق ببساطة على منفذ الهواء L ①;
- فك الملحق عن طريق سحب للخارج نحو المقدمة بعدما يبرد;
- ! لا تقم بتركيب أي ملحق إلا ومنفذ الهواء بارداً وحين يكون المفتاح في الوضع "0" والقابس مفصولاً.
- حلقة تعليق M ④
- للتحزين البسيط للأداة
- ! اترك الأداة لتبرد لمدة لا تقل عن ٣٠ دقيقة قبل القيام بتخزينها;
- حزم دائم في السخونة (الحماية من فرط التحميل)
- يحمي عنصر التسخين من التلف عندما تتعرض الأداة لفرط التحميل بدون الاضطرار إلى إيقافها وأو تركها تبرد لفترة من الزمن;
- عندما ترتفع درجة الحرارة للغاية على نحو زائد. يتوقف تشغيل عنصر التسخين ذاتياً. بينما يستمر دوران المحرك وإنتاج الهواء البارد;
- وعندما تنخفض درجة الحرارة بالقدر الكافي (لا يستغرق الأمر سوى ثواني قليلة)، سيعمل عنصر التسخين تلقائياً.
- ! عند إيقاف تشغيل الأداة بعد العمل بإعداد درجة حرارة مرتفعة وتشغيلها مرة أخرى بعد فترة توقف قصيرة. قد يستغرق الأمر بعض الوقت حتى يصل عنصر التسخين إلى درجة الحرارة المطلوبة;
- توصيات الاستخدام
- إزالة الغطاء الورنيش ⑤
- استخدم كاشطة نظيفة وحادة;
- قم بالكشط باستمرار والغطاء ليئلاً;
- جرب لتحديد الفترة الزمنية اللازمة لاستخدام الحرارة للحصول على نتائج مثالية;
- اكشط الغطاء اللين فوراً، ولا فليسيتبب مرة أخرى;
- حافظ على زاوية من ٣٠ إلى ٤٠ درجة بين الأداة وقطعة العمل;
- قم بإزالة الغطاء والخلفات فوراً عن الكاشطة حتى لا تشتمل;
- اكشط باستخدام حبيبات الخشب حيثما أمكن;
- لا توجه تدفق الهواء الساخن نحو نفس السطح لمدة طويلة للغاية;
- تخلص من جميع مخلفات الغطاء على نحو آمن;
- نظف منطقة العمل بعناية بعد إتمام المهمة;
- ! توخ الحذر عند إزالة طبقات الغطاء في البنائيات القديمة؛ فرما قد تم مسبقاً طلاء البنائيات بطلاء يحتوي على رصاص وهي مادة عالية السمية.
- ! التعرض للرصاص حتى وإن كان ذلك بمستويات منخفضة قد يسبب تلف خطير في المخ والجهاز العصبي. ويعد الأطفال الصغار والأجنة هم الأكثر حساسية له بوجه خاص.
- ! استعن بحترف لإزالة الغطاء الذي أساسه الرصاص بدون استخدام أي مسدس حراري;
- مثال استخدام آخر:
- إزالة غطاء الحائط (التركيبي);
- إزالة الغطاء الورنيش الجوار للزجاج ⑥
- استخدم دائماً فوهة الحماية الزجاجية G عند العمل بجوار الزجاج;
- قم بإزالة الغطاء ببساطة كاشطة يدوية;
- لا تستخدم الأداة لإزالة طلاء موجود على نوافذ ذات إطارات معدنية. فالعنصر موصل للحرارة مما قد يؤدي إلى كسر الزجاج;
- إزالة الملصقات (استخدم الفوهة المسطحة H) ⑦
- معظم الملصقات تصح أكثر ليونة عند تسخينها. مما يتيح فصل مواد اللصق الصمغية وإزالة اللصق الناقض;
- ! قم بتسخين الملصق على الجانب العلوي;
- ! احرص دائماً على ألا تتعرض السطح الأساسي لسخونة مفرطة;

- ابق منتهبه؛ وراقب ما تقوم به واستعن بإدراكك السليم ولا تقم بتشغيل الأداة وأنت مجهد.
- اتخذ مسافة أمان؛ ولا تحاول بلوغ نقاط بعيدة عنك خاصة على السلالم والدرجات؛
- تأكد من إيقاف تشغيل الأداة قبل وضعها جانباً؛
- في حالة حدوث خلل كهربائي أو ميكانيكي أوقف تشغيل الأداة فوراً وافصل القابس؛
- **بعد الاستخدام:**
- قم بإيقاف تشغيل الأداة وافصل القابس؛
- اترك الأداة لتبرد لمدة لا تقل عن ٣٠ دقيقة قبل القيام بتخزينها؛
- قم بتعليق الأداة على حلقة التعليق M ① أو وضعها على الجزء الخلفي منها في وضع رأسي. وعند القيام بذلك تأكد من عدم وجود مواد قابلة للاشتعال أو غازات سريعة الاشتعال على مقربة.
- لا تخزن/تترك الأداة في مناطق مفتوحة؛
- خزن الأداة في مكان جاف ومحكم الغلق بعيداً عن متناول الأطفال؛

## الاستخدام

- مفتاح التشغيل/إيقاف بإعداد درجة الحرارة ④
- ! تأكد من أن المفتاح A في الوضع "0" قبل التوصيل؛
- قم بتشغيل الأداة من خلال دفع المفتاح A إلى الوضع المطلوب؛
- ٥٠ = ١ درجة مئوية + تدفق الهواء ٢٥٠-٥٠٠ لتر/دقيقة
- ٥٠ = ١١ إلى ١٥٠ درجة مئوية. تدفق الهواء ٢٥٠-٥٠٠ لتر/دقيقة
- عند استخدام الأداة لأول مرة قد ينبعث منها دخان. ويعتبر ذلك أمراً طبيعياً وسيتوقف قريباً.
- إعداد درجة الحرارة ⑤
- اضبط درجة الحرارة المستهدفة المطلوبة تدريجياً على ١٠ درجة مئوية بالضغط على المفاتيح B لفترة قصيرة؛
- يؤدي الضغط على الأزرار B باستمرار إلى زيادة/خفض درجة الحرارة المستهدفة باستمرار حتى يتم خبز الأرز أو الوصول للحد الأدنى الأقصى لدرجة الحرارة؛
- بعد ضبط درجة الحرارة المستهدفة تعرض الشاشة D درجة الحرارة الصاعدة/الهابطة الحقيقية حتى يتم الوصول لدرجة الحرارة المطلوبة (في الوضع «a» فقط؛
- سيتم تخزين درجة الحرارة المستهدفة في ذاكرة الأداة. بحيث في كل مرة يتم فيها تشغيل الأداة ترتفع حرارتها إلى آخر درجة حرارة مستهدفة محددة؛
- إعداد تدفق الهواء ①
- اضبط تدفق الهواء المطلوب تدريجياً على ٥٠ لتر/دقيقة بالضغط على الأزرار C لفترة قصيرة؛
- تعرض الشاشة D إعداد تدفق الهواء الفعلي في مخطط بياني؛
- الاستخدام العام
- حدد درجة الحرارة المناسبة من خلال اختبار جزء غير ظاهر من قطعة العمل؛
- ابدأ بإعداد درجة الحرارة المنخفض؛
- تخفض درجة الحرارة بزيادة المسافة بين منفذ/فوهة الهواء وقطعة العمل؛
- تتوقف درجة الحرارة المطلوبة على المادة التي يتم العمل بها؛
- الاستخدام الثابت ⑦
- ضع الأداة على الجزء الخلفي منها في وضع رأسي؛
- تأكد من نظافة السطح وخلوه من الغبار حيث أن الهواء الملوث يتسبب في تلف المحرك؛
- تأكد من توجيه تدفق الهواء بعيداً عنك؛
- قم بتأمين السلك للحلولة دون تدمير الأداة؛
- لا تلمس منفذ/فوهة الهواء؛
- تأكد من عدم سقوط أي شيء في منفذ/فوهة الهواء؛
- امسك الأداة بعناية بيد واحدة وفي الوقت نفسه أوقف تشغيلها باليد الأخرى ثم اتركها تبرد؛
- الاستخدام في أماكن يصعب الوصول إليها
- قم بإزالة الحلقة E ①. وهكذا يتسع منفذ الهواء العدني لمسافة أكبر؛
- ! انتبه إلى زيادة خطورة اندلاع النار والحرق؛
- إمساك الأداة وتوجيهها ⑧
- امسك الأداة بيد واحدة؛
- احرص على أن تكون فتحات التهوية F ① غير مغطاة؛

- افحص سلك الأداة ومقبسها قبل كل استخدام وإذا كان هناك تلف. فقم باستبدالهم على يد أحد المهنيين؛
- استخدم أسلاك عميد مفكوكة تماماً وأمنة سعة ١٦ أمبير (١٣) أمبير في بريطانيا العظمى؛
- قم بفحص سلك الامتدادية بشكل دوري واستبدله في حال تلفه
- استخدم الأداة وملحقاتها وفقاً لدليل التعليمات هذا وعلى النحو المعد للأداة؛
- فقد يؤدي استخدام الأداة لعمليات تختلف عن تلك العمليات المتوقع إجرائها عادة بالأداة إلى حالة خطر؛
- لا يجب استخدام هذه الأداة من قبل الأشخاص الأقل من ١٦ عام؛
- لم يتم تصميم هذه الأداة للاستخدام بواسطة أفراد (بما فيهم الأطفال) ذوي قدرات بدنية أو حسية أو عقلية منخفضة أو محدودو الخبرة والمعرفة ما لم يتم الإشراف عليهم وتزويدهم بالتعليمات المتعلقة بكيفية استخدام الأداة بواسطة فرد مسئول عن سلامتهم؛
- تأكد دائماً من أن الفولت الزرد هو نفسه المشار إليه على اللوحة الخاصة بالأداة؛
- تأكد من إيقاف تشغيل الأداة عند التوصيل؛
- **أثناء الاستخدام:**
- **تعامل مع الأداة بعناية؛ وأبعدها عن النار والمحرق؛**
- لا تلمس منفذ/فوهة الهواء والجسم المسخن؛ فكل منها يصبح شديد السخونة؛
- لا تمسك منفذ/فوهة الهواء على مقربة شديدة من الجسم الذي يتم العمل به؛
- لا توجه تدفق الهواء الساخن نحو نفس السطح لمدة طويلة للغاية؛
- يُحظر نهائيًا خضض نظرك إلى منفذ/فوهة الهواء؛
- ارتد قفازات واقية واستخدم نظارات الأمان؛
- يُحظر نهائيًا توجيه تدفق الهواء الساخن نحو الأشخاص أو الحيوانات؛
- يُحظر نهائيًا استخدام الأداة لتجفيف الشعر؛
- لا تترك الأداة بدون مراقبة؛
- يُحظر نهائيًا استخدام الأداة على مقربة من الغازات سريعة الاشتعال أو المواد القابلة للاشتعال (خطر الانفجار)؛
- عند العمل باستخدام البلاستيك والطلاء والورنيش والمواد المشابهة فقد تنتج غازات سامة سريعة الاشتعال. فعليك التعرف مسبقاً على المواد التي ستعمل بها؛
- ضع في حسابك أن الحرارة قد تُحوّل إلى مواد قابلة للاشتعال خارج مرمى البصر؛
- لتكون في جانب الأمان. احتفظ بدلو ماء أو طفاية حريق في متناول يدك. في حالة اشتعال أي مادة؛
- **الحماية من الصدمات الكهربائية**
- يُحظر نهائيًا دفع أي شيء بمنفذ/فوهة الهواء؛
- تجنب ملامسة الجسد لأسطح موصلة (مثل الأنابيب والراياتبرت والأفران والتلاجات)؛
- تأكد من عدم ابتلال الأداة؛
- لا تستخدم الأداة في أماكن رطبة؛
- عند استخدام الأداة في مناطق مفتوحة. قم بتوصيل الأداة عبر قاطع تيار دائرة الفص (FI) باستخدام تيار بدء التشغيل مقدار ٣٠ مللي أمبير بحد أقصى.
- ولا تستخدم إلا سلك عميد مخصص للاستخدام في المناطق المفتوحة والزود مقبوس وصل مقاوم للرش؛
- **التعامل بعناية مع السلك**
- حافظ دوماً على بقاء السلك بعيداً عن تدفق الهواء الساخن ومنفذ/فوهة الهواء؛
- احتفظ بالسلك بعيداً عن الحرارة والزيت والجواف الحادة؛
- لا تخمّل الأداة من السلك. ولا تنزع السلك لفصله من المقبوس؛
- لا تعلق الأداة من السلك؛
- يُحظر نهائيًا استخدام الأداة مع مذيبات كيميائية؛
- تأكد من تهوية منطقة العمل كما ينبغي؛
- حافظ على نظافة منطقة العمل وإضاءتها على نحو جيد؛
- ابق الأطفال بعيداً عن منطقة العمل؛
- تأكد من أن الأطفال لا يعينون بالأداة؛
- تتسبب التيارات المنعدفة في حدوث حالات انخفاض في الفولتية لفترة قصيرة؛ وفي ظروف إمداد الطاقة غير المواتية قد تتأثر جزيئات أخرى إذا كانت معاوقة النظام لإمداد الطاقة أقل من ٠.٧٩ + j٠.١٢٧ أوم. فمن المستبعد حدوث اضطرابات؛ وإذا كنت بحاجة إلى مزيد من الإيضاح فيإمكانك الاتصال بالسلطة المحلية المسؤولة عن إمداد الطاقة.

## مقدمة

- تم تصميم هذه الأداة لإزالة الطلاء وتشكيل ولحام البلاستيك وتسخين الأنابيب القابلة للتقليص بالحرارة؛ كما تعتبر الأداة ملائمة كذلك للحام المسكوبة والفصدرة وقتّ الوصلات المتلاصقة وإذابة الجليد عن أنابيب المياه؛
- لم يتم تصميم هذه الأداة للاستخدام الاحترافي؛
- اقرأ دليل التعليمات هذا واحفظ به ①

## البيانات الفنية ①

## مكونات الأداة ②

- A مفتاح التشغيل/إيقاف
- B أزرار لإعداد درجة الحرارة
- C أزرار لإعداد تدفق الهواء
- D شاشة (LCD)
- E حلقة حماية
- F فتحات التهوية
- G فوهة حماية زجاجية
- H فوهة مسطحة
- J فوهة عاكسة
- K فوهة تضيء
- L منفذ/فوهة هواء
- M حلقة تعليق

## أمان

## تعليمات السلامة العامة

**⚠️ تحذير!** اقرأ جميع الملاحظات التحذيرية والتعليمات. إن ارتكاب الأخطاء عند تطبيق الملاحظات التحذيرية والتعليمات قد يؤدي إلى الصدمات الكهربائية، إلى نشوب الحرائق و/أو الإصابة بجروح خطيرة. احتفظ بجميع الملاحظات التحذيرية والتعليمات للمستقبل. يحدد مصطلح «العدة الكهربائية» المستخدم في الملاحظات التحذيرية، العدد الكهربائي المتصلة بالشبكة الكهربائية (بواسطة كابل الشبكة الكهربائية)، وأيضاً العدد الكهربائي المزودة بطارية (دون كابل الشبكة الكهربائية).

## 1) الأمان مكان الشغل

- 1) حافظ على نظافة وحسن إضاءة مكان شغلك. الفوضى في مكان الشغل ومجالات العمل الغير مضاعة قد تؤدي إلى حدوث الحوادث.
- 2) لا تشغل بالعدة الكهربائية في محيط معرض لخطر الانفجار والذي تتوفر فيه البسوائل أو الغازات أو الأبخرة القابلة للاشتعال. العدد الكهربائي تشكل الشر الذي قد يتطاير فيشعل الأبخرة والأفخرة.
- 3) حافظ على بقاء الأطفال وغيرهم من الأشخاص على بعد عندما تستعمل العدة الكهربائية. قد تفقد السيطرة على الجهاز عند التلوي.

## 2) الأمان الكهربائي

- 1) يجب أن يتلامس قابس وصل العدة الكهربائية مع القابس. لا يجوز تغيير القابس بأي حال من الأحوال. لا تستعمل القوايس المهائية مع العدد الكهربائية المؤرضة تأرض وفاني. تخفض القوايس التي لم يتم تغييرها والقوايس الملائمة من خطر الصدمات الكهربائية.
- 2) تجنب ملامسة السطوح المؤرضة كالألثاب وإراديواتر التدفئة والحدافى أو البرادات بواسطة جسمك. يزداد خطر الصدمات الكهربائية عندما يكون جسمك مريض.
- 3) أبعد العدة الكهربائية عن الأمطار أو الرطوبة. يزداد خطر الصدمات الكهربائية إن تسرب الماء إلى داخل العدة الكهربائية.
- 4) يجب عدم إسائة استخدام الكابل. لا تنس استخدام الكابل حمل العدة الكهربائية أو تعليقها أو لسحب القوايس من القابس. حافظ على إبعاد الكابل عن الحرارة والزيت والحواف الحادة أو عن أجزاء الجهاز المتحركة. تزيد الكابلات النالفة أو المتشابكة من خطر الصدمات الكهربائية.

ج) استخدم فقط كابلات التمديد الصالحة للإستعمال الخارجى أيضا عندما تشغل بالعدة الكهربائية في الخلاء. يخفف استعمال كابل تمديد مخصص للإستعمال الخارجى من خطر الصدمات الكهربائية.

ح) إن لم يكن بالإمكان عدم تشغيل العدة الكهربائية في الأجواء الرطبة. فاستخدم مفتاح لوقاية من التيار المتردد. إن استخدام مفتاح لوقاية من التيار المتردد يقلل خطر الصدمات الكهربائية.

## 3) أمان الأشخاص

أ) كن يقظا وأنتبه إلى ما تفعله وقم بالعمل بواسطة العدة الكهربائية بتعتقل. لا تستخدم عدة كهربائية عندما تكون متعب أو عندما تكون تحت تأثير المخدرات أو الكحول أو الأدوية. عدم الإنتباه للحظة واحدة عند استخدام العدة الكهربائية قد يؤدي إلى إصابة خطيرة.

ب) ارتد عتاد الوقاية الخاص. وارتد دائما نظارات واقية. يجب إرتداء عتاد الوقاية الخاص. كفتاح الوقاية من الغبار وأحذية الأمان الواقية من الإرتلاق والحود واقية الأذنين. حسب نوع وإستعمال العدة الكهربائية. من خطر الإصابة بجروح.

ت) تجنب التشغيل بشكل غير مقصود. تأكد من كون العدة الكهربائية مطفأة قبل وصلها بإمهاد التيار الكهربائي و/أو بالمركم، وقبل رفعها أو حملها. إن كنت تضع إصبعك على المفتاح أثناء حمل العدة الكهربائية أو إن وصلت الجهاز بالشبكة الكهربائية عندما يكون قيد التشغيل. فقد يؤدي ذلك إلى حدوث الحوادث.

ث) انزع عدد الضبط أو مفتاح الربط قبل تشغيل العدة الكهربائية. قد تؤدي العدة أو المفتاح المتواجد في جزء دوار من الجهاز إلى الإصابة بجروح.

ج) تجنب أوضاع الجسم غير الطبيعية. قف بأمان وحافظ على توازنك دائما. سيسمح لك ذلك من السيطرة على الجهاز بشكل أفضل في المواقف غير المتوقعة.

ح) ارتد ملابس مناسبة. لا ترتدى الثياب الفضفاضة أو الخلي. حافظ على إبقاء الشعر والثياب والقفايزات على بعد عن أجزاء الجهاز المتحركة. قد تشنابك الثياب الفضفاضة والخلي والشعر الطويل بالأجزاء المتحركة.

خ) إن جاز تركيب جهاز شفط وجميع الغبار فتأكد من أنها موصولة وبأنه يتم استخدامها بشكل سليم. قد يقلل إستخدام تجهيزات لشفط الأغبرة من المخاطر الناتجة عن الأغبرة.

## 4) حسن معاملة واستخدام العدد الكهربائي

أ) لا تطرف في تحميل الجهاز. إستخدم لتنفيذ أشغالك العدة الكهربائية المخصصة لذلك. إنك تعمل بشكل أفضل وأكثر أمانا بواسطة العدة الكهربائية الملائمة في مجال الأداء المذكور.

ب) لا تستخدم العدة الكهربائية إن كان مفتاح تشغيلها تالف. العدة الكهربائية التي لم تعد تسمح بتشغيلها أو بإطافئها خطيرة ويجب أن يتم تصليحها.

ت) اسحب القوايس من القابس و/أو انزع المركم قبل ضبط الجهاز وقبل إستبدال التوايح أو قبل وضع الجهاز جانباً. تمنع إجراءات الاحتياط هذه تشغيل العدة الكهربائية بشكل غير مقصود.

ث) احتفظ بالعدد الكهربائي التي لا يتم إستخدامها بعيدا عن متال الأطفال. لا تسمح بإستخدام العدة الكهربائية لمن لاخبرة له بها أو لمن لم يقرأ تلك التعليمات. العدد الكهربائي خطيرة إن تم استخدامها من قبل أشخاص دون خبرة.

ج) اعن بالعدة الكهربائية بشكل جيد. تفحص عما إذا كانت أجزاء الجهاز المتحركة تعمل بشكل سليم وبأنها غير مستعصبة عن الحركة أو إن كانت هناك أجزاء مكسورة أو تالفة لدرجة تؤثر فيها على حسن أداء العدة الكهربائية. ينبغي تصليح هذه الأجزاء التالفة قبل إعادة تشغيل الجهاز. الكثير من الحوادث مصدرها العدد الكهربائي التي تم صيانتها بشكل ردي.

ح) حافظ على إبقاء عدد القطع نظيفة وحادة. إن عدد القطع ذات حواف القطع الحادة التي تم صيانتها بعناية تكليس بشكل أقل ويمكن توجيهها بشكل أيسر.

خ) استخدم العدد الكهربائي والتوايح وعدد الشغل والبخ حسب هذه التعليمات. تراعى أثناء ذلك شروط الشغل والعمل المراد تنفيذه. استخدام العدد الكهربائي لغير الأشغال المخصصة لأجلها قد يؤدي إلى حدوث الحالات الخطيرة.

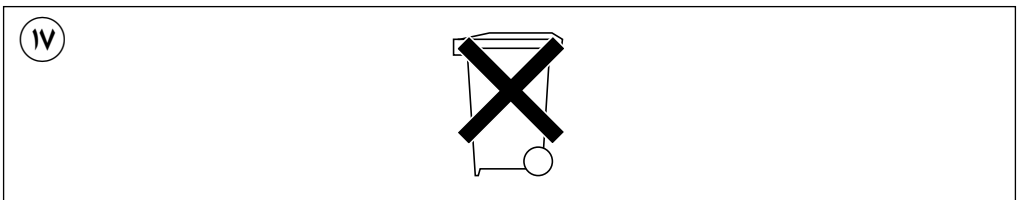
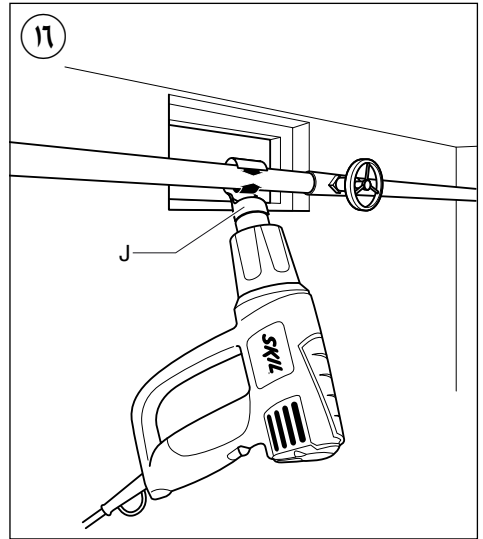
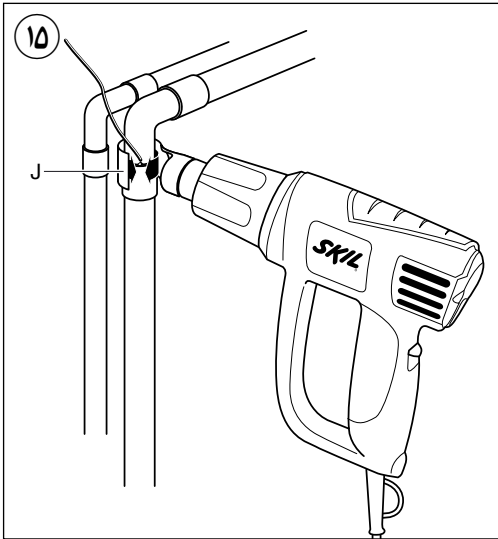
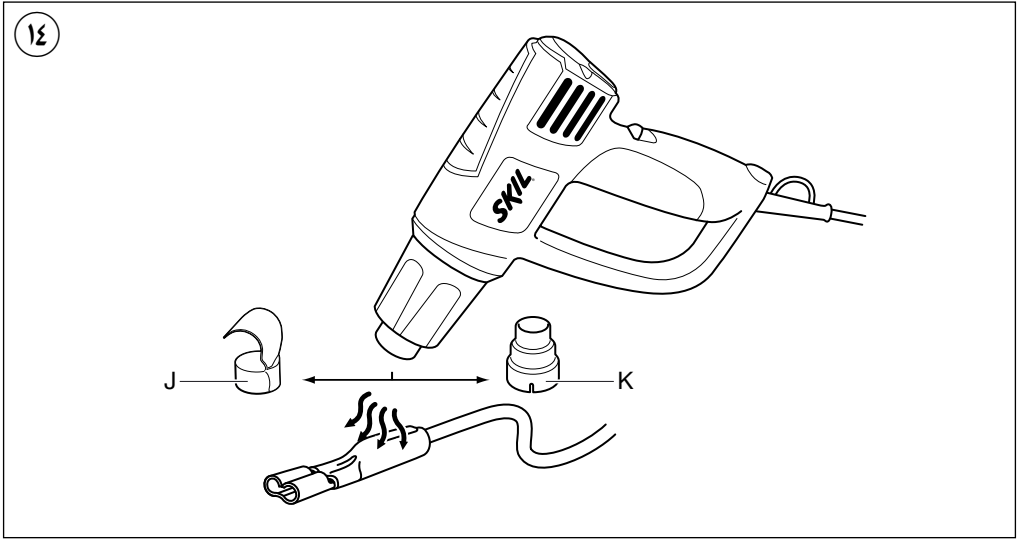
## 5) الخدمة

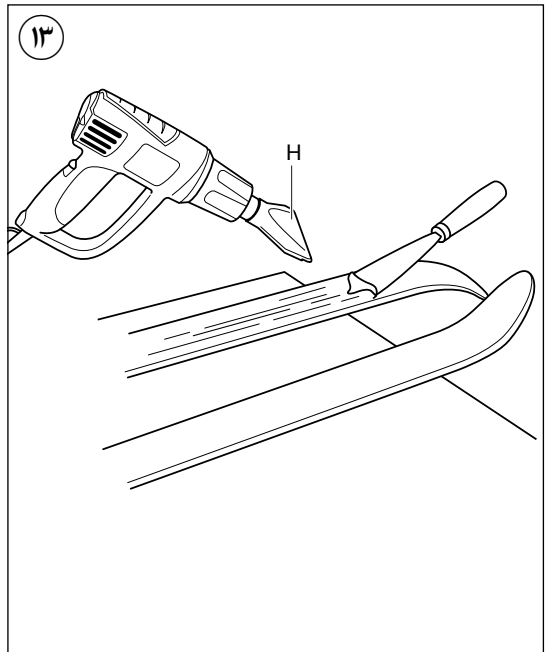
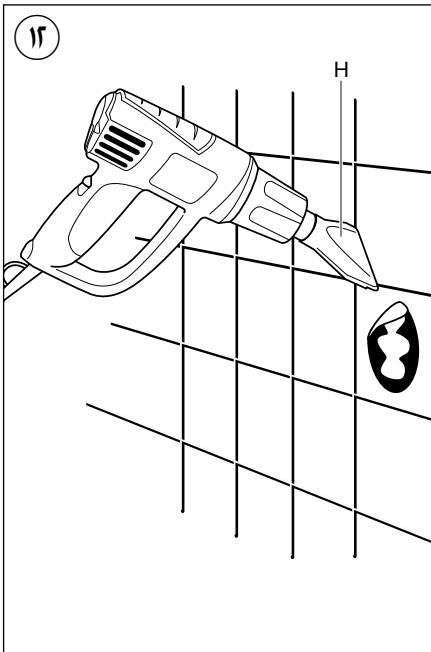
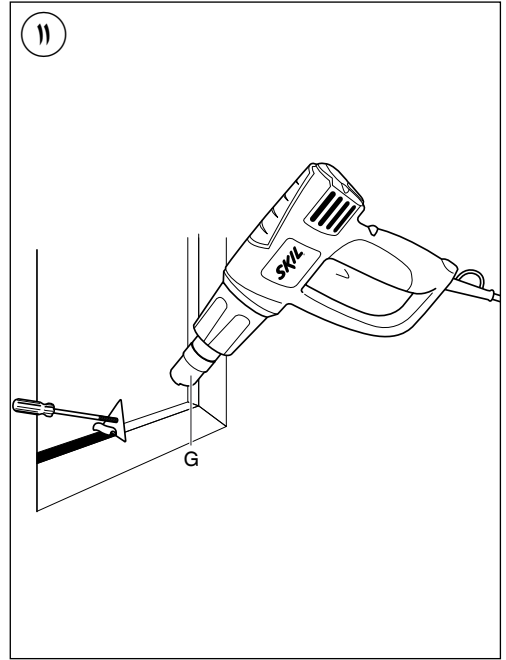
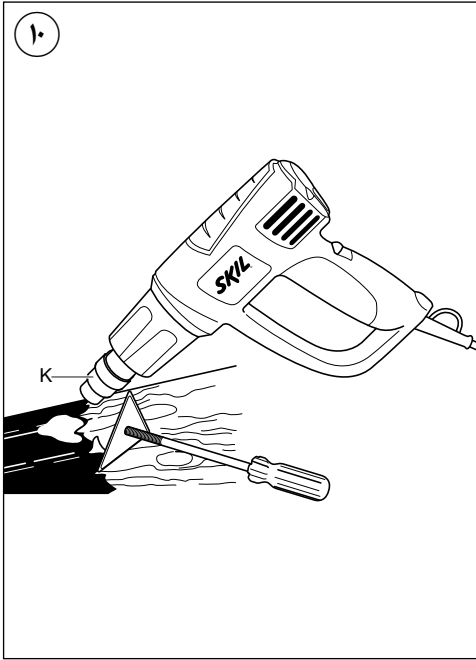
أ) سمح بتصليح عدتك الكهربائية فقط من قبل المتخصصين فقط بإستعمال قطع الغيار الأصلية. يؤمن ذلك المحافظة على أمان الجهاز.

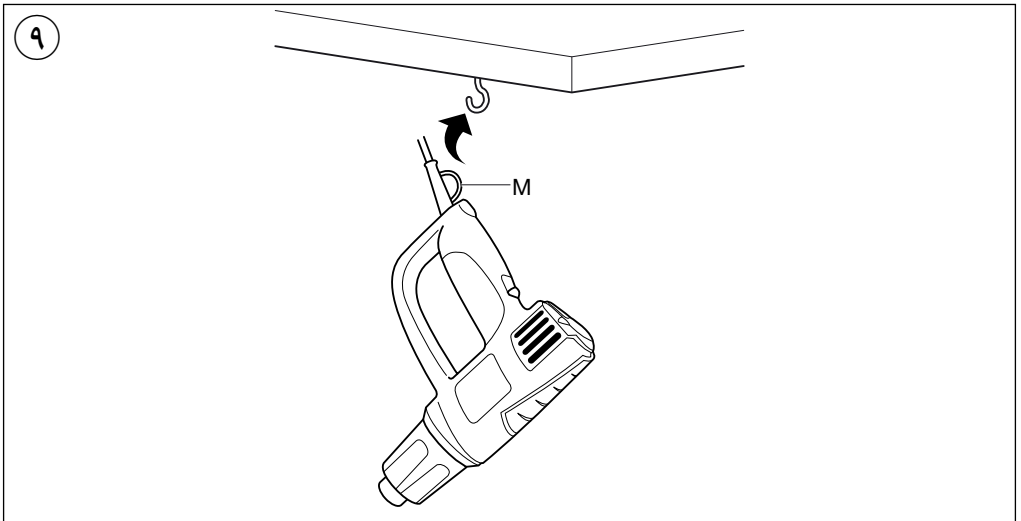
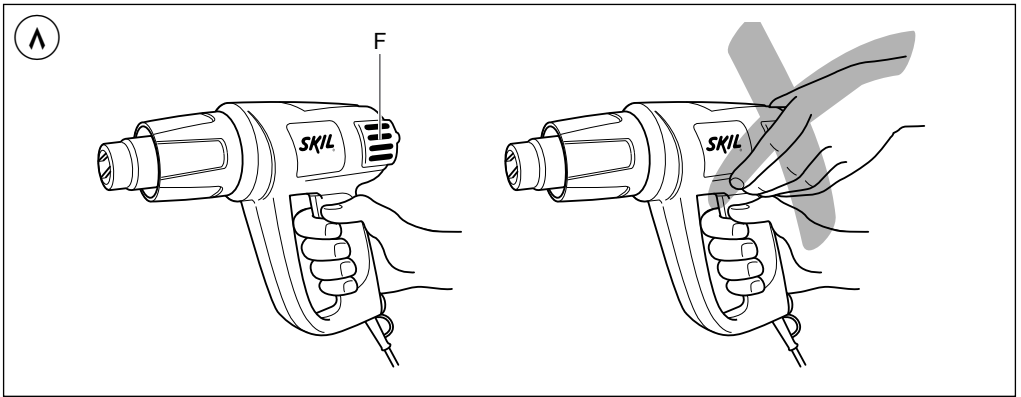
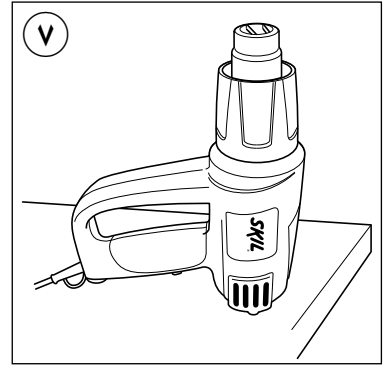
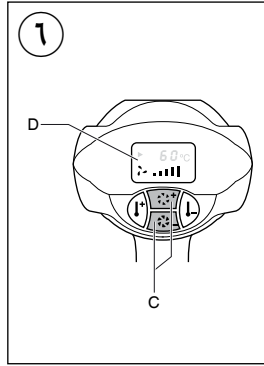
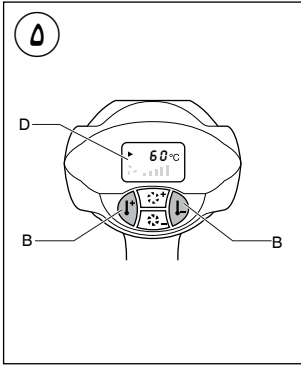
## تعليمات السلامة للمسدسات الحرارية

## قبل الاستخدام:

- تحقق من وظيفة الأداة قبل كل استخدام وفي حالة وجود عطل. فقم على الفور بإصلاحها على يد أحد المؤهلين ويحظر نهائياً فتح الأداة بنفسك؛







1

8004

2000  
Watt

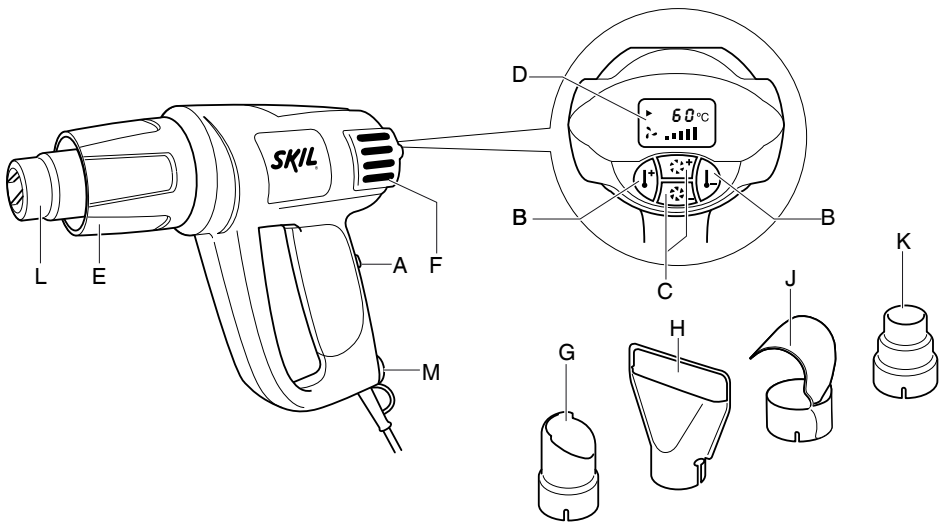
0,7 kg  
EPTA 01/2003

250 - 500  
l/min

50°C  
650°C

220  
-  
240  
V~  
50-60 Hz

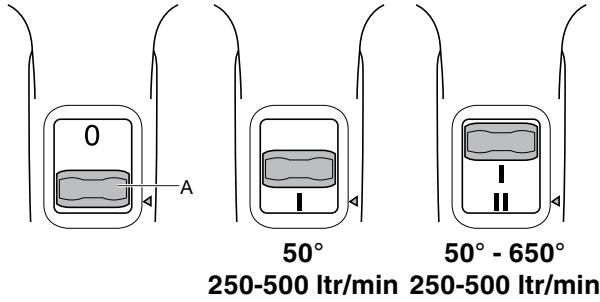
2



3



4



المسدس الحراري  
8004

**SKIL**<sup>®</sup>



دليل الاستعمال

AR

راهنماي اصلي

FA



2610Z05217

09/14

سكيل أوروبا ب.د.ق. - كونيغنبيرج 60  
4825 ب.د. بريدا - هولندا



Сертификат о соответствии  
KZ.7500052.22.01.04182  
Срок действия сертификата о соответствии  
по 09.07.2018  
ТОО «Центр Сертификации продукции и услуг»  
г. Алматы, ул Кабанбай батыра,  
уг. Калдаякова 51/78

ДАТА ПРОИЗВОДСТВА